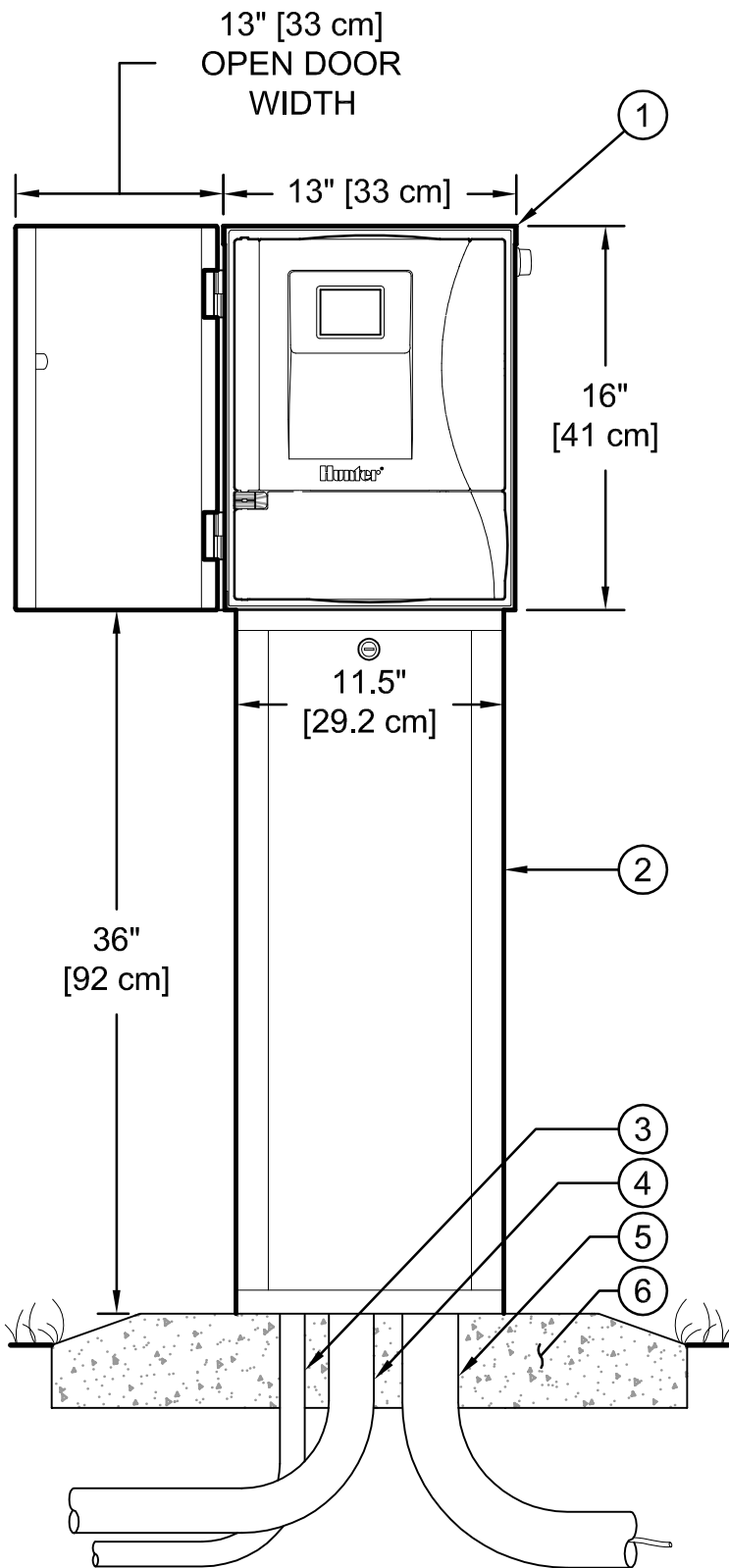


HUNTER INDUSTRIES
 1940 Diamond Street
 San Marcos, CA 92078
 Main: 760-744-5240
 Technical Support: 760-591-7383
 www.hunterindustries.com



DETAIL LEGEND:

- ① IRRIGATION CONTROLLER (HCC-800-SS) PER PLAN
- ② METAL PEDESTAL, SS (ICC-PED-SS)
- ③ ELECTRICAL SUPPLY CONDUIT - CONNECT TO POWER SOURCE, J-BOX INSIDE CONTROLLER
- ④ GROUND WIRE CONDUIT - GROUND PER ASIC GUIDELINES
- ⑤ IRRIGATION CONTROL WIRE IN CONDUIT - SIZE AND TYPE PER LOCAL CODES
- ⑥ CONCRETE PEDESTAL BASE PER PLAN - INSURE POSITIVE DRAINAGE AWAY FROM PEDESTAL.

NOTES:

1. CONTROLLER ACCEPTS 120 VOLTS A.C. OR 230 VOLTS A.C. (INTERNATIONAL MODEL). CONTROLLER SHALL BE HARD-WIRED TO GROUNDED 110 VAC POWER SOURCE.
2. CONTROLLER AND PEDESTAL ARE 5" [13 cm] DEEP.
3. REFER TO THE HUNTER HCC INSTALLATION GUIDE FOR FURTHER INSTRUCTIONS.

IRRIGATION CONTROLLER - SS METAL ENCLOSURE & PEDESTAL (HCC-800-SS & ICC-PED-SS)

