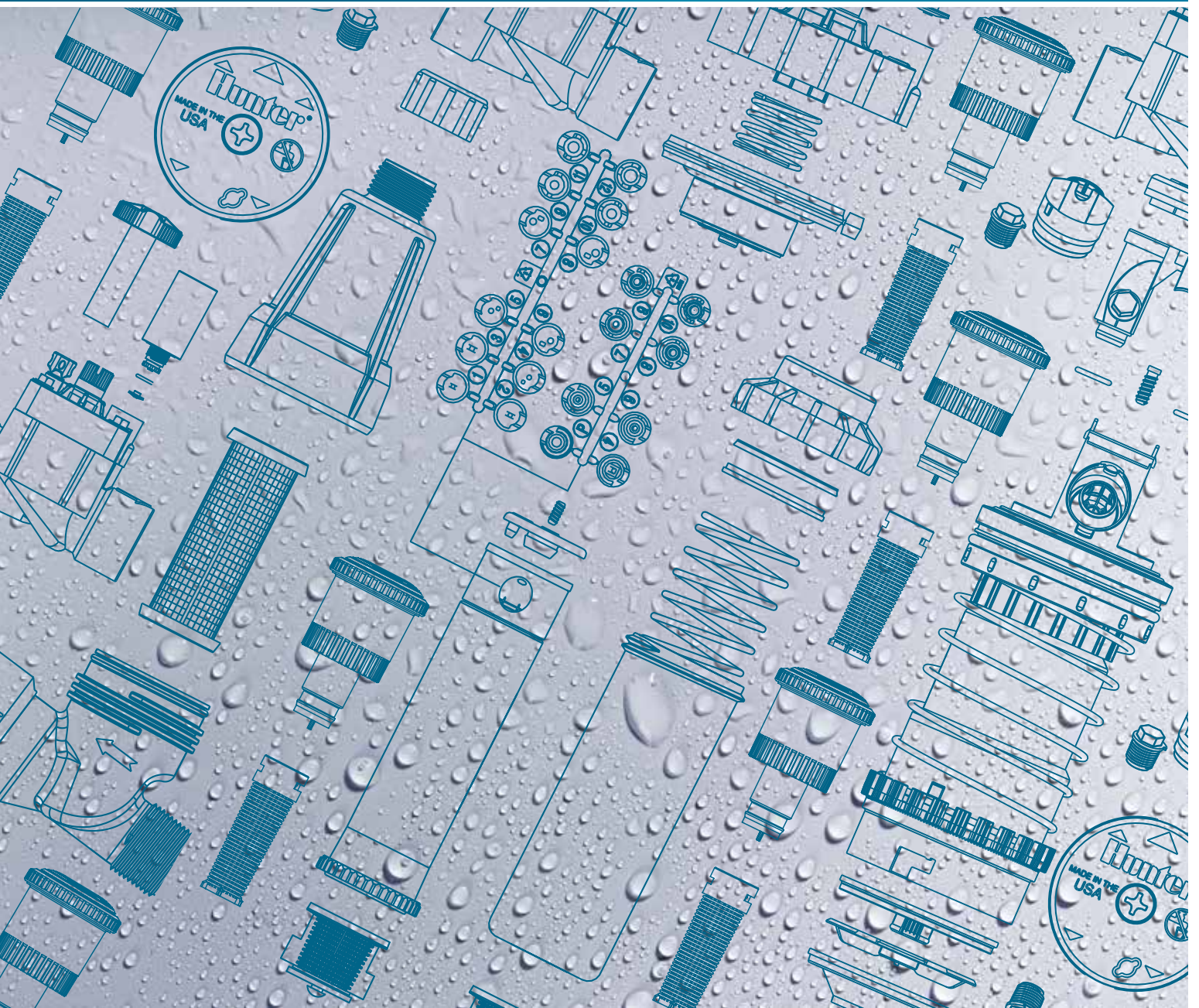


Replacement Parts List

RESIDENTIAL & COMMERCIAL IRRIGATION | *Built on Innovation®*

Hunter®



EFFECTIVE JANUARY 2020
Supersedes all previous parts lists. Specifications are subject to change without notice.

hunterindustries.com

Contents

ROTORS1

PGJ-00: Gear-Driven Rotor	1
PGJ-04, 06, 12: Gear-Driven Rotor	2
SRM-04, PGM-04, 06, 12: Gear-Driven Rotor	3
PGP®-ADJ: Gear-Driven Rotor	4
PGP-ATR: Gear-Driven Rotor	5
PGP-00: Gear-Driven Rotor	6
PGP-04 Ultra, PGP-12 CV Ultra: Gear-Driven Rotor	7
I-20-00: Gear-Driven Rotor	8
I-20-04, I-20-06, I-20-12: Gear-Driven Rotor	9
I-25-04, 06: Gear-Driven Rotor	10
I-40-04, 06: Gear-Driven Rotor	11
I-50-06: Gear-Driven Rotor	12
I-60: Gear-Driven Rotor	13
I-80: Gear-Driven Rotor	14
I-90: Gear-Driven Rotor	15

ST SYSTEMS17

ST-90: Gear-Driven Rotor	17
STG-900: Gear-Driven Rotor	18
ST-1600-HSB: Pop-Up & Gear Drive	19
ST-1700V: Valve-in-Head Pop-Up & Gear Drive	21
ST-173026-B Vault	23
ST-243636-B Vault	24

NOZZLES25

MP Rotator® and Spray Nozzles	25
-------------------------------------	----

SPRAYS26

PSU-02, 04, 06: PS Ultra Spray Sprinkler	26
PROS-02, 03, 04, 06, 12: Pro-Spray® Sprinkler	27
PRS30-04, 06, 12: Pro-Spray Pressure-Regulated Spray Bodies	28
PRS40-04CV, 06CV, 12CV: Pro-Spray Pressure-Regulated Spray Bodies	29

VALVES30

SRV: Plastic Valve	30
PGV-ASV: Plastic Valve, 6-Bolt Bonnet Design	31
PGV-ASV: Plastic Valve, 4-Bolt Bonnet Design	32
PGV-100G, 101G: Plastic Valve	33
PGV Jar-Top: Plastic Valve	34
PGV-100A, 101A: Plastic Valve	35
PGV-151, 201: Plastic Valve	36
HPV: Plastic Valve	37
ICV-101G: Plastic Valve	38
ICV-151G & 201G: Plastic Valve	39
ICV-301: Plastic Valve	40
IBV-101G: Brass Valve	41
IBV-151G & IBV-201G: Brass Valves	42
IBV-301G: Brass Valve	43

MICRO IRRIGATION44

ICZ-151: Drip Control Zone Kit	44
PCZ-101: Drip Control Zone Kit	45
PCZ-101: Drip Control Zone Kit (Before January 2014)	46
ACZ-075: Drip Control Zone Kit	47
ACZ-075: Drip Control Zone Kit (Before January 2014)	48
ICZ-101: Drip Control Zone Kit	49
ICZ-101-LF: Drip Control Zone Kit	50

QUICK COUPLER VALVES51

HQ3RC: Quick Coupler Valve	51
HQ33RC, HQ33LRC, HQ33LRCR: Quick Coupler Valve	52
HQ44RC, HQ44LRC, HQ44LRCR: Quick Coupler Valve	53
HQ44RCAW, HQ44LRCAW, HQ44LRCAWR: Quick Coupler Valve	54
HQ5RC, HQ5LRC, HQ5LRCR: Quick Coupler Valve	55

STANDARD CONTROLLERS56

X2™: Wi-Fi Capable Outdoor Mount Controller	56
X-Core®: Indoor/Outdoor Mount Controller	57
Pro-C® and PCC: Indoor/Outdoor Mount Controller	58
ICC: Plastic Cabinet	59
ICC: Metal Cabinet	60
ICC Plastic Pedestal	61
I-Core®: Plastic Cabinet	62
I-Core: Metal Cabinet	63
I-Core: Plastic Pedestal	64

HYDRAWISE® CONTROLLERS65

HC: Wi-Fi Controller	65
HPC: Wi-Fi Controller	66
Pro-HC: Wi-Fi Controller	67
HCC: Wi-Fi Controller, Plastic Cabinet	68
HCC: Wi-Fi Controller, Metal Cabinet	69

CENTRALUSTM CONTROLLERS70

ICC2: Plastic Cabinet	70
ICC2: Metal Cabinet	71
ACC2 Decoder Replacement Parts A2C-75D-M, A2C-75D-P	72
ACC2 Conventional Replacement Parts (A2C-1200-M, A2C-1200-P)	73
Plastic Pedestal (2017 to Present)	74

IMMS™ ONLINE CONTROLLERS75

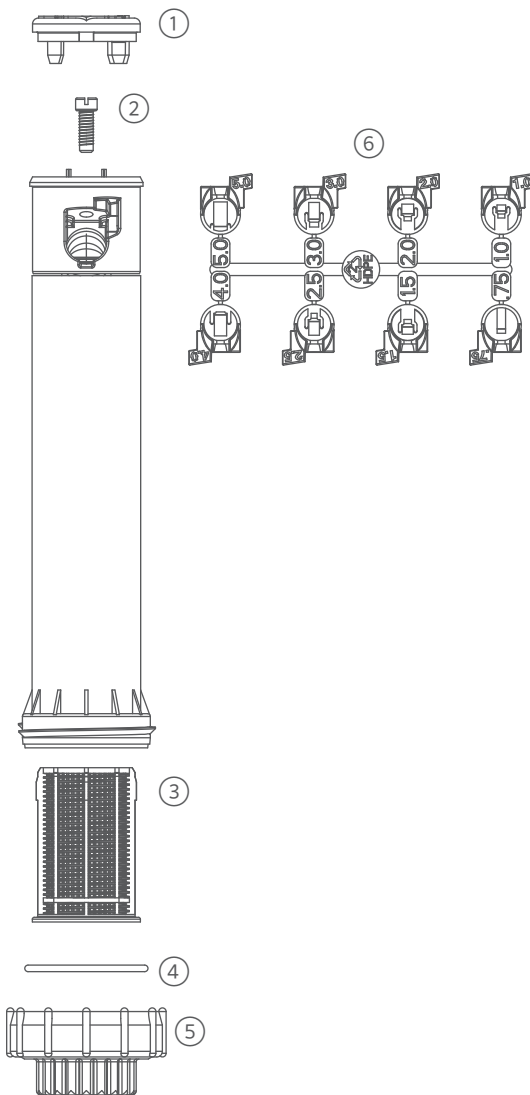
ACC: Pedestal Controller	75
ACC: Wall-Mount Controller	76
Communications Modules and Parts	77
IMMS-CCC: Irrigation Management and Monitoring System	78
IMMS-SI: Irrigation Management and Monitoring System	79
IMMS-CI: Irrigation Management and Monitoring System	80

DECODERS AND ACCESSORIES	81
ICD-HP Components	81
IDS: Plastic Pedestal	82
IDS: Controller Components	83
ROAM: Remote Control Unit	84
ROAM XL: Remote Control Unit	85
PSR: Pump Start Relay	86
PSR-B: Pump Start Relay Booster	87
BATTERY-POWERED CONTROLLERS	88
NODE: Battery-Powered Controller	88
NODE-BT: Bluetooth® Battery-Powered Controller	89
XC Hybrid: Mounted Battery-Powered Plastic Controller	90
XC Hybrid: Mounted Battery-Powered Stainless Steel Controller	91
SENSORS	92
Mini-Clik®: Rain Sensor	92
Wired Rain-Clik®: Rain Sensor	93
Wireless Rain-Clik: Rain Sensor	94
Solar Sync®: ET Sensor	95
ET System	96
ACCESSORIES	97
STATEMENT OF WARRANTY	98

ROTORS

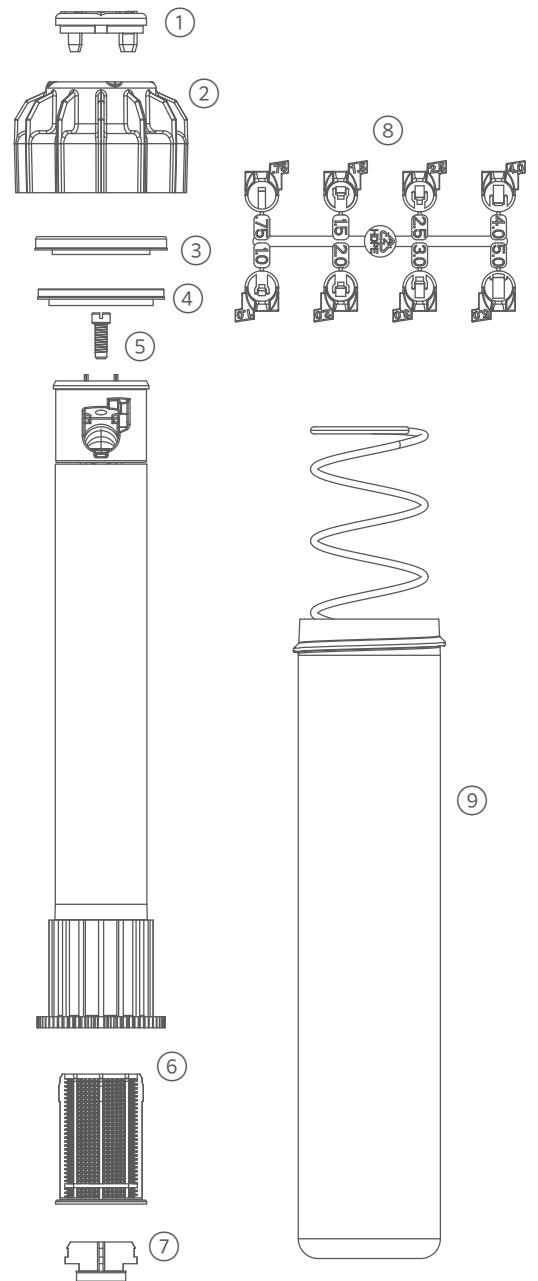
PGJ-00: GEAR-DRIVEN ROTOR

ITEM	DESCRIPTION	CATALOG NO.	
1	Rubber Cover	Black	537800SP
		Purple	537810
2	Nozzle Retention Screw	537900	
3	Screen	272000	
4	O-Ring	464500	
5	Shrub Head Base	372800	
6	Nozzle Rack (with 8 Nozzles)	538700SP	



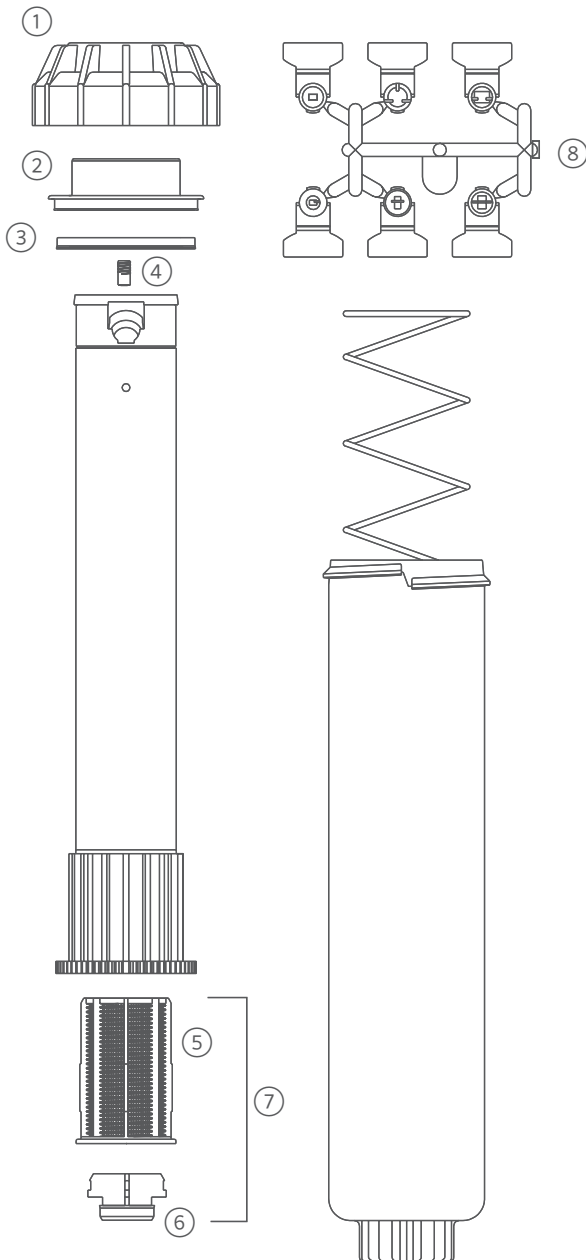
PGJ-04, 06, 12: GEAR-DRIVEN ROTOR

ITEM	DESCRIPTION	CATALOG NO.	
1	Rubber Cover	Black	537800SP
		Black with Check Valve ID	537805
		Purple with Check Valve ID	537810
2	Body Cap	537400	
3	Riser Seal	538100SP	
4	Spring Seat	326500SP	
5	Nozzle Retention Screw	537900	
6	Screen	272000	
7	Check Valve	462078SP	
8	Nozzle Rack (with 8 Nozzles)	4" (10 cm)	537300
		6" (15 cm)	538400
		12" (30 cm)	538500



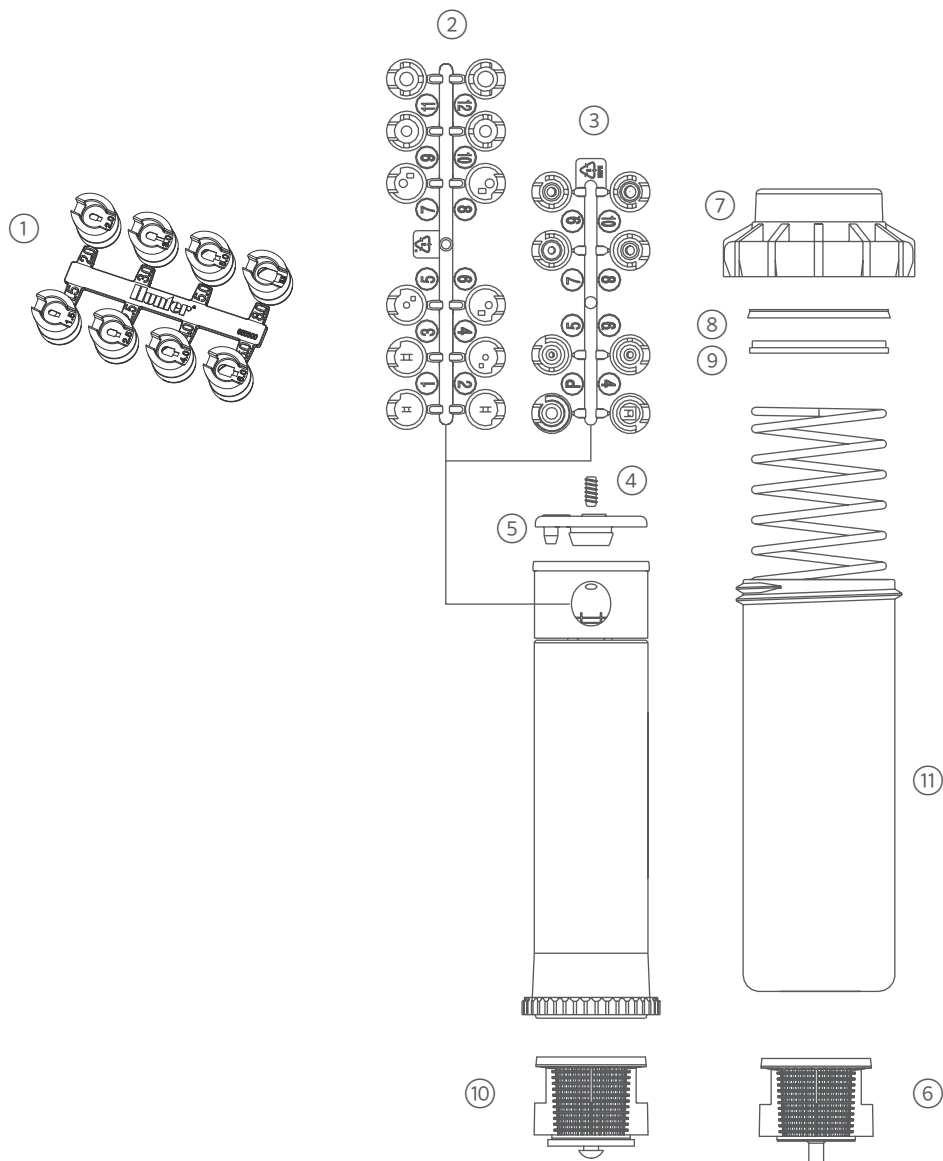
SRM-04, PGM-04, 06, 12: GEAR-DRIVEN ROTOR

ITEM	DESCRIPTION	CATALOG NO.
1	Body Cap	270700
2	Riser Seal	326400SP
3	Spring Seat	326500SP
4	Nozzle Retention Screw (Bag of 25)	463262
5	Screen (White)	272000
6	Check Valve	462078SP
7	Screen/Check Valve Assembly	302500
8	Nozzle Rack (with 0.50, 0.75, 1.0, 1.5, 2.0, 3.0)	327000SP



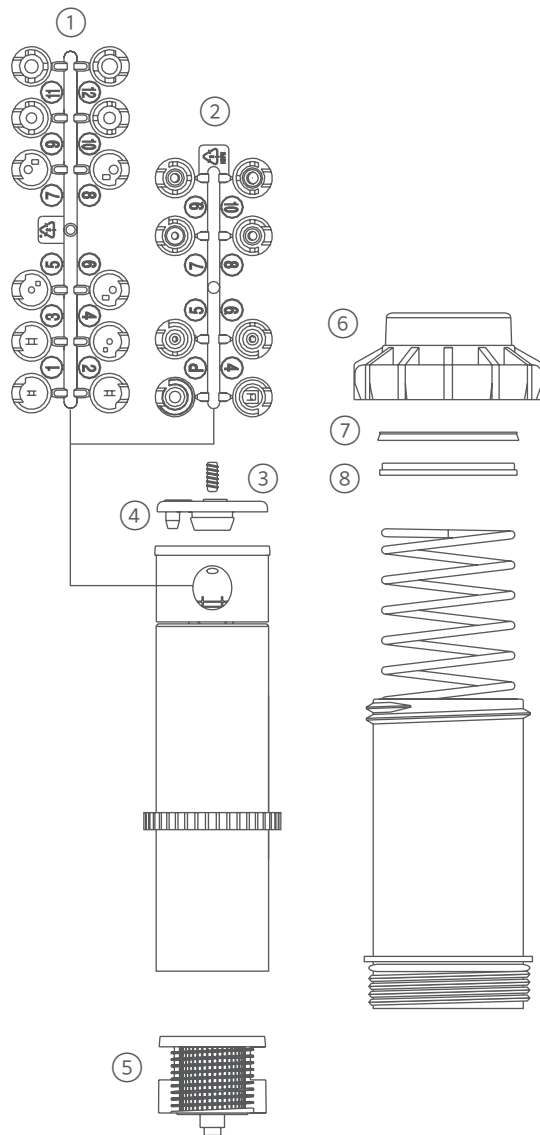
PGP®-ADJ: GEAR-DRIVEN ROTOR

ITEM	DESCRIPTION	CATALOG NO.
1	Blue Nozzle Set, 8 Nozzles	665300SP
2	Red Nozzle Set, 12 Nozzles	130900SP
3	Gray Low-Angle Nozzles, 7 Nozzles	233200SP
4	Setscrew	120300SP
5	Protective Rubber Cover Black (ADJ) (Fits Units Manufactured After 2/93)	269400SP
6	Standard Filter Screen (Black)	102600
7	Body Cap	103700SP
8	Riser Seal (100-Pack)	181500SP
9	Spring Seat	189900SP
10	Filter Screen/Check Valve Subassembly	142300SP
11	Body 4" (10 cm)	229200



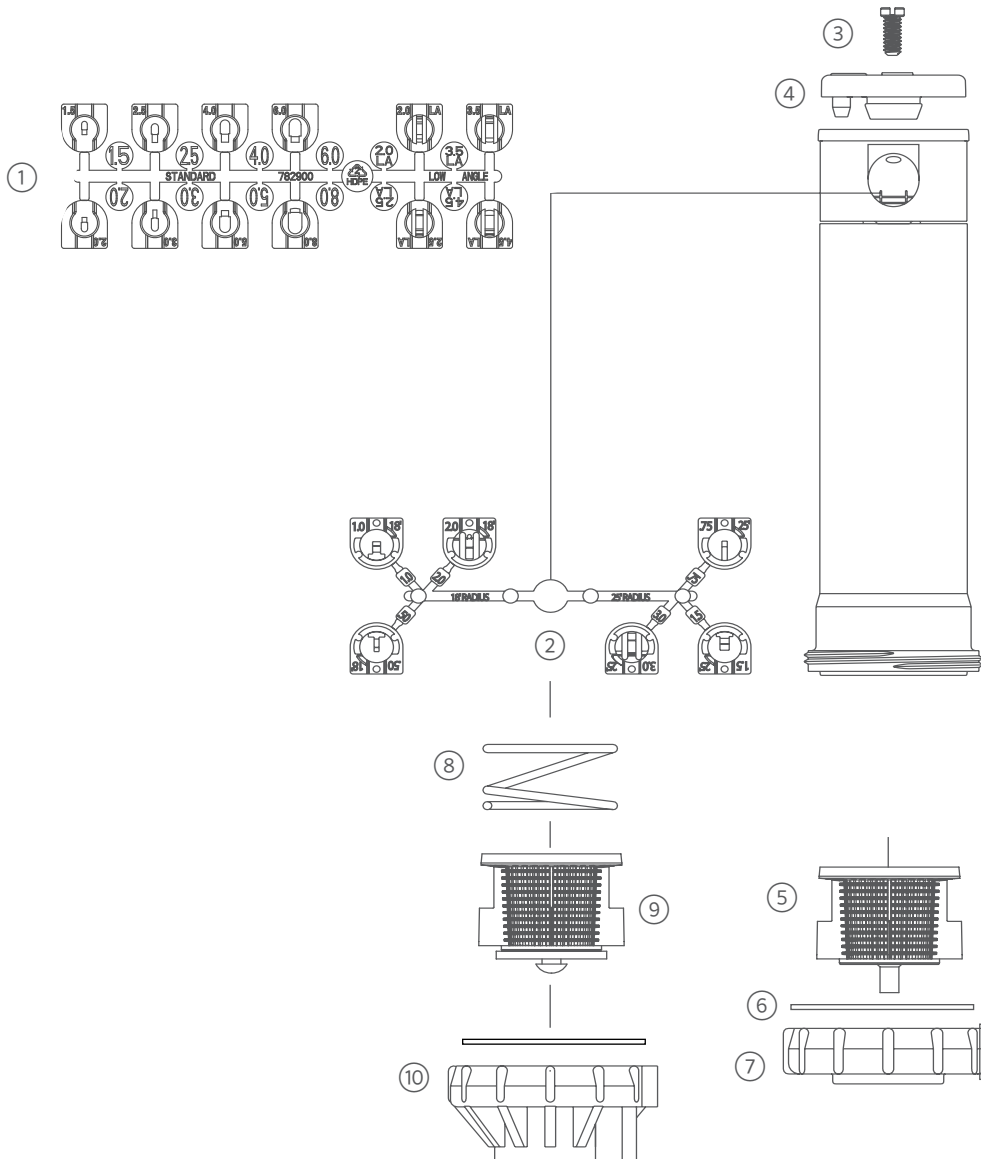
PGP-ATR: GEAR-DRIVEN ROTOR

ITEM	DESCRIPTION	CATALOG NO.
1	Standard Nozzle Set (12), 25° Trajectory	130900SP
2	Low-Angle Nozzle Set (7), 13° Trajectory	233200SP
3	Setscrew	120300SP
4	Protective Rubber Cover - Black (ADJ)	269400SP
5	Standard Filter Screen (Black)	102600
6	Body Cap	103700SP
7	Riser Seal (100-Pack)	181500SP
8	Spring Seat	189900SP



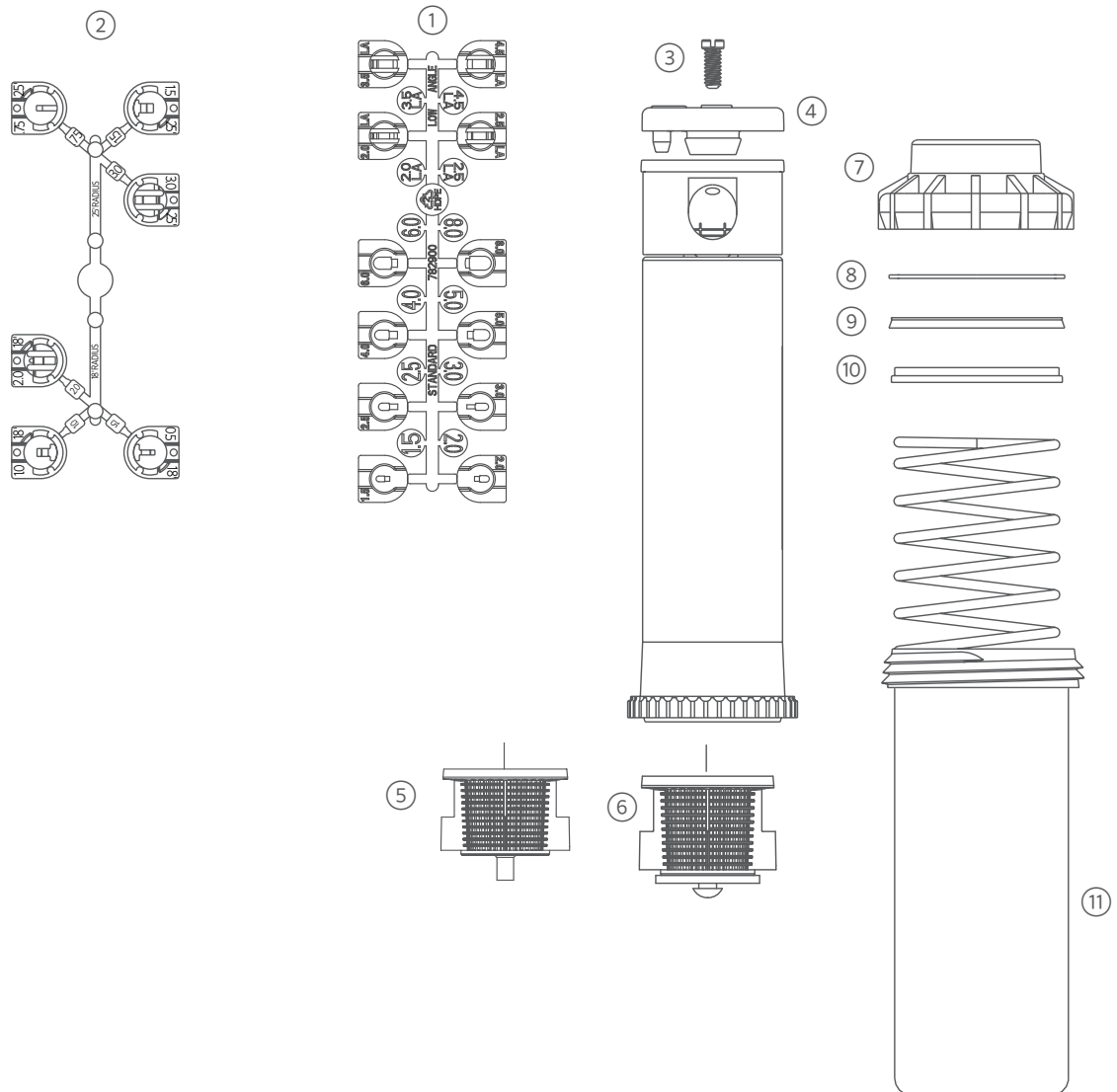
PGP-00: GEAR-DRIVEN ROTOR

ITEM	DESCRIPTION	CATALOG NO.	
1	Standard (8) and Low-Angle (4) Nozzle Set, Blue and Gray	782900SP	
2	Short-Radius Nozzle Set (6)	466100SP	
3	Nozzle Retainer Screw - Headed with Slot	180900	
4	Rubber Cover	Black	183600SP
		Purple	183605SP
5	Standard Filter Screen	Black	102600
6	O-Ring		170600
7	Standard Shrub Head Base		106900
OPTIONS			
8	Check Valve Spring	235000	
9	Filter Screen/Check Valve Subassembly	142300SP	
10	Shrub Head Base - Check Valve Model	234900	



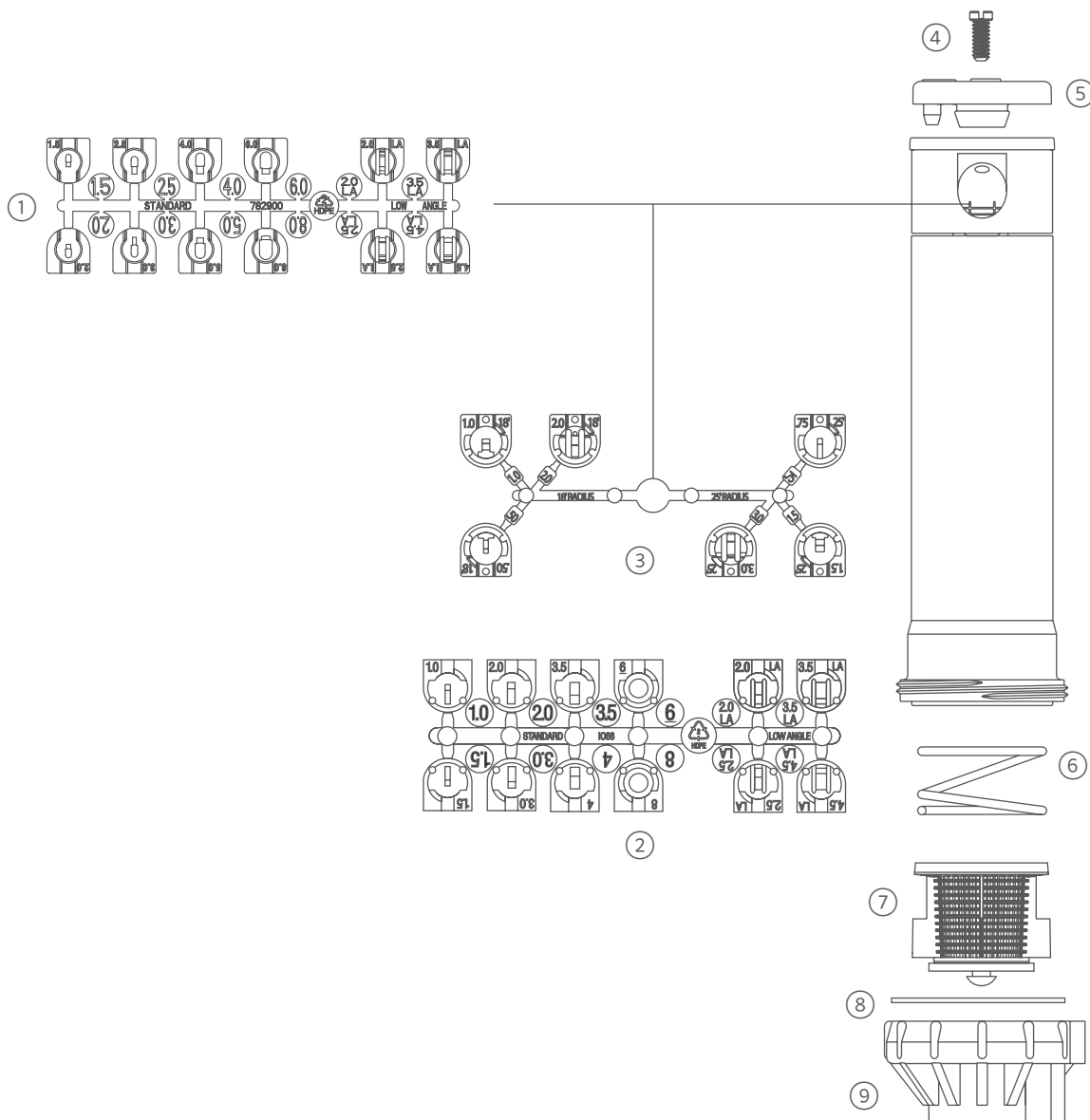
PGP-04 ULTRA, PGP-12 CV ULTRA: GEAR-DRIVEN ROTOR

ITEM	DESCRIPTION	CATALOG NO.	
1	Standard (8) and Low-Angle (4) Nozzle Set, Blue and Gray	782900SP	
2	Short-Radius Nozzle Set (6), Black	466100SP	
3	Nozzle Retainer Screw - Headed with Slot	180900	
4	Rubber Cover Assembly	Black	183600SP
		Purple	183605SP
5	Filter Screen - Standard Model	102600	
6	Check Valve Screen Assembly	142300SP	
7	Body Cap	103700SP	
8	Slip Washer - PGP-12-CV-Only	296100	
9	Riser Seal	181500SP	
10	Spring Seat	189900SP	
11	Body	4" (10 cm)	100200
		12" (30 cm)	179100



I-20-00: GEAR-DRIVEN ROTOR

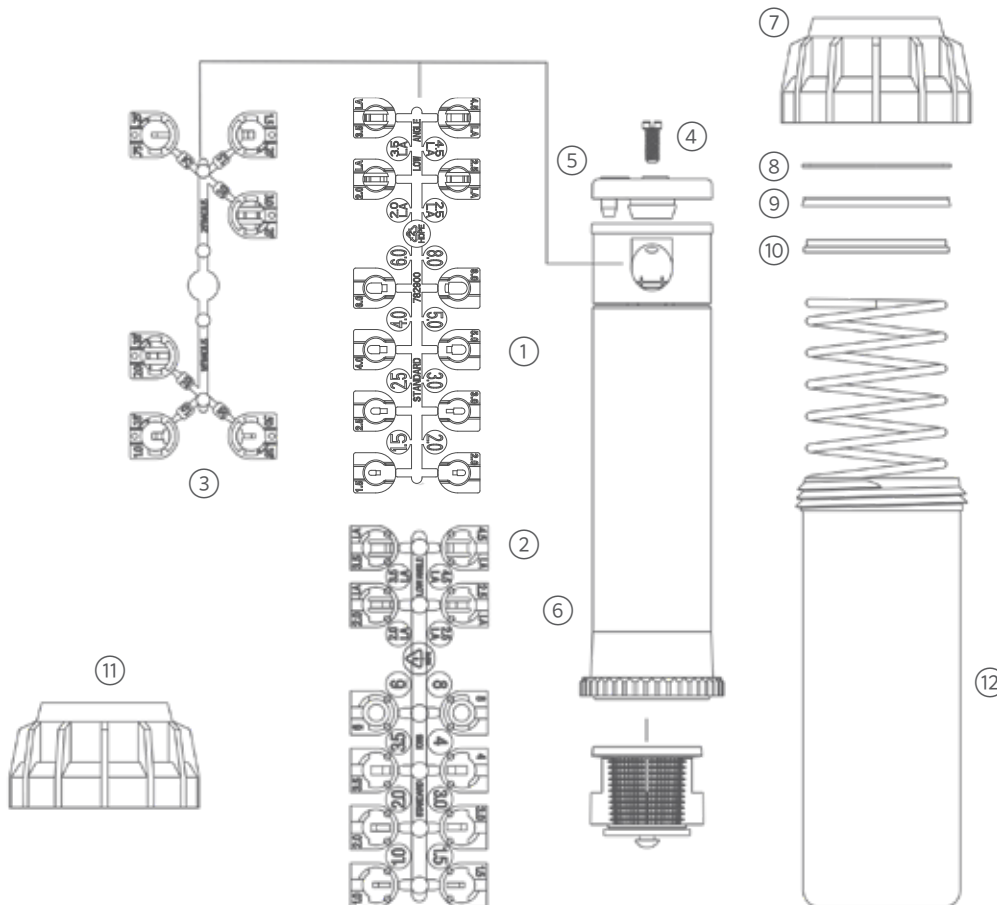
ITEM	DESCRIPTION	CATALOG NO.	
1	Standard (8) and Low-Angle (4) Nozzle Set, Blue and Gray	782900SP	
2	Standard (8) and Low-Angle (4) Nozzle Set, Navy Blue and Gray	356605SP	
3	Short-Radius Nozzle Set (6), Black	466100SP	
4	Nozzle Retainer Screw	180900	
5	Rubber Cover Assembly	Black	352476SP
		Purple	352478SP
6	Check Valve Spring	235000	
7	Check Valve Screen Assembly	142300SP	
8	O-Ring	170600	
9	Shrub Head Base - Check Valve Model	234900	



ROTORS

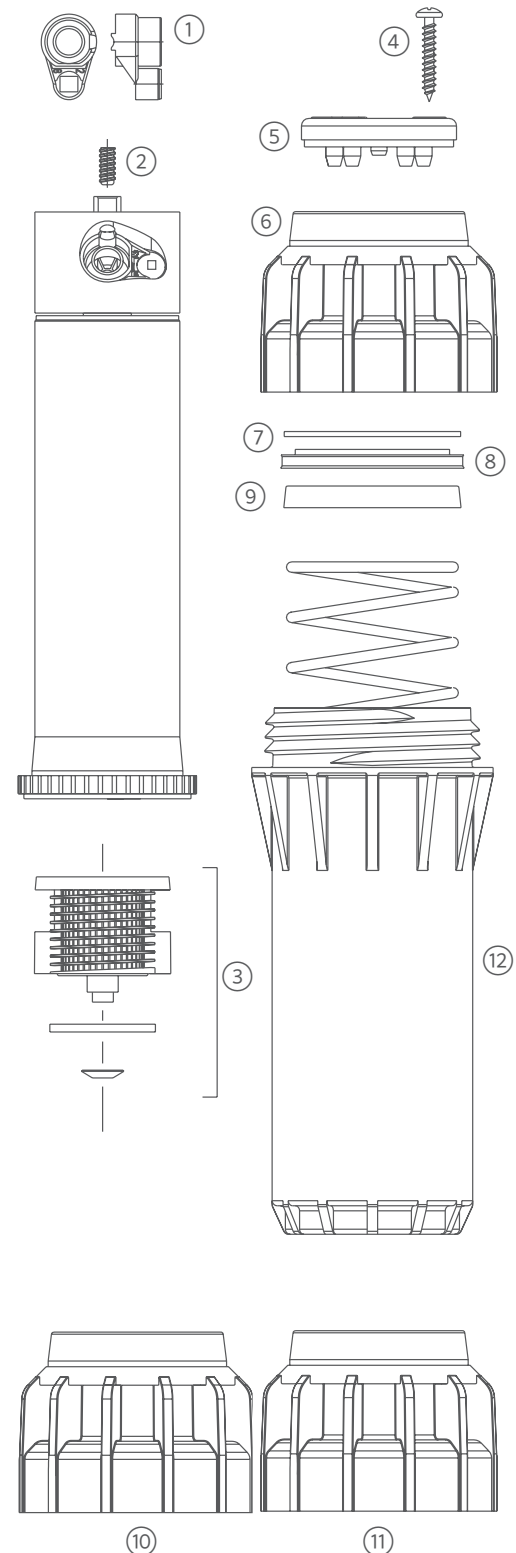
I-20-04, I-20-06, I-20-12: GEAR-DRIVEN ROTOR

ITEM	DESCRIPTION	CATALOG NO.	
1	Standard (8) and Low-Angle (4) Nozzle Set, Blue and Gray	782900SP	
2	Standard (8) and Low-Angle (4) Nozzle Set, Navy Blue and Gray	356605SP	
3	Short-Radius Nozzle Set (6), Black	466100SP	
4	Nozzle Retainer Screw	180900	
5	Rubber Cover Assembly	Black	352476SP
		Purple	352478SP
6	Filter Screen with Check Valve Assembly	142300SP	
7	Body Cap	356000	
8	Slip Washer - I-20-12-Only	296100	
9	Riser Seal	I-20-04	252500SP
		I-20-06	252500SP
		I-20-12	181500SP
10	Spring Seat	I-20-04	227800
		I-20-06	227800
		I-20-12	189900SP
11	I-20 Shutoff Cap Assembly	296000	
12	Body	4" (10 cm)	229200
		6" (15 cm)	434700
		12" (30 cm)	404200



I-25-04, 06: GEAR-DRIVEN ROTOR

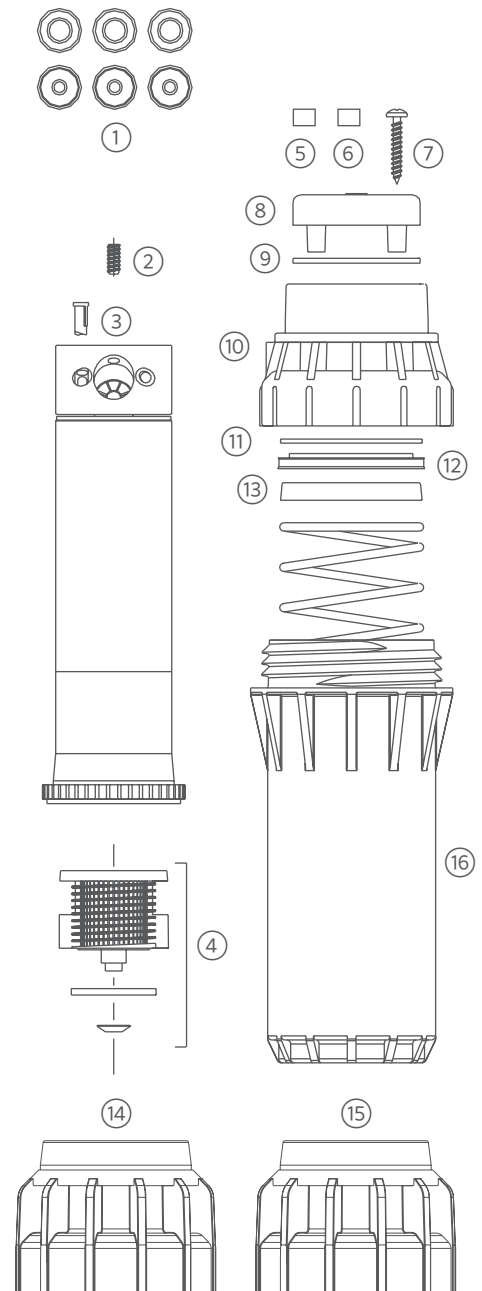
ITEM	DESCRIPTION	CATALOG NO.		
1	Nozzle Pack (1 each 7, 10, 15, 20, 25)	460010SP		
	#4 - Yellow	463401SP		
	#5 - White	463402SP		
	#7 - Orange	463403SP		
	#8 - Lt. Brown	463404SP		
	#10 - Lt. Green	463405SP		
	#13 - Lt. Blue	463406SP		
	#15 - Gray	463407SP		
	#18 - Red	463408SP		
	#20 - Dk. Brown	463409SP		
2	Nozzle Retainer Screw	333900		
	3	Filter Screen/Check Valve Assembly (White)	303700SP	
		4	Rubber Cover Screw (2 Required)	334000
			Black	344605
			Rubber Cover Assembly (Logo Base and Rubber Cover) Before 12/01/2013	Black SS 344635
			Purple 344615	
			Purple SS 344640	
			Brown SS 344625	
5			Black 831000	
	Rubber Cover Assembly (Logo Base and Rubber Cover) Before 12/01/2013		Black SS 831003	
	Purple 831001			
	Purple SS 831004			
	Brown SS 831002			
6	Body Cap Assembly (Before 12/01/2013)	341500		
	Body Cap Assembly (After 12/02/2013)	828500		
7	Riser Seal Slip Washer	Gray (after 12/02/2013) 827600		
	Black (before 12/01/2013) 221200			
8	Riser Seal	White (after 12/02/2013) 827500		
	Gray (after 12/02/2013) 827800			
9	Spring Seat	827800		
10	I-25/I-40/I-50 Shutoff Cap	223200		
11	I-25/I-40/I-50 Blowout Cap - for 1½" (3.8 cm) PVC Pipe	345400		
	4" (10 cm) NPT 336405			
12	Body	4" (10 cm) BSP 336410		
	6" (15 cm) NPT 614705			
	6" (15 cm) BSP 614710			



ROTORS

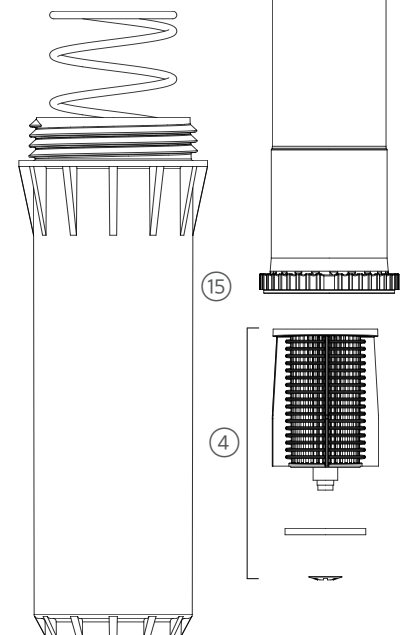
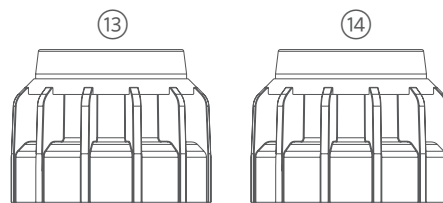
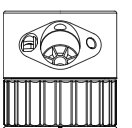
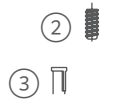
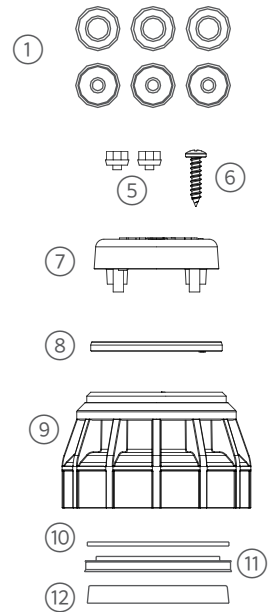
I-40-04, 06: GEAR-DRIVEN ROTOR

ITEM	DESCRIPTION	CATALOG NO.
1	Adjustable Nozzle Pack (1 each 8, 10, 13, 15, 23, 25)	462458SP
	#8 - Lt. Brown	461144
	#10 - Lt. Green	461145
	#13 - Lt. Blue	461146
	#15 - Gray	461147
	#23 - Dk. Green	461148
	#25 - Dk. Blue	462436
	Nozzles (Bag of 25)	
	Opposing Nozzle Pack (1 each 15, 18, 20, 23, 25, 28)	462459SP
2	Nozzle Retainer Screw	333900
3	Diffuser Pin	245400
4	Filter Screen/Check Valve Assembly (White)	303700SP
5	Model Number Button	I-40 252705
6	Feature Designation Button	Blank 252845
		HS 252855
		ON 252850
7	Rubber Cover Screw (2 Required)	334000
8	Rubber Cover Assembly (Includes Part 9)	Black 828300
		Brown 828301
		Purple 828302
9	Rubber Cover Washer	828400
10	Body Cap Assembly	STD 828700
		ON 831400
11	Riser Seal Slip Washer	Gray after 12/02/2013 827600
12	Riser Seal	Black before 12/01/2013 221200
		White after 12/02/2013 827500
13	Spring Seat	Gray after 12/02/2013 827800
14	I-25/I-40/I-50 Shutoff Cap	223200
15	I-25/I-40/I-50 Blowout Cap - for 1½" (3.8 cm) PVC Pipe	345400
16	Body	6" (15 cm) NPT 614705
		6" (15 cm) BSP 614710



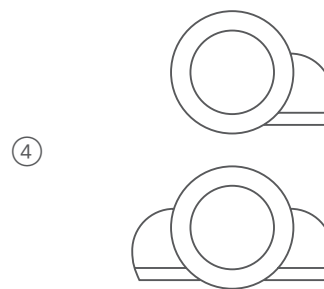
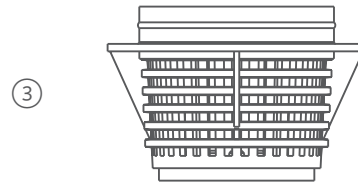
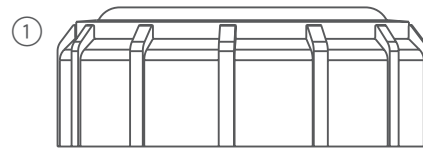
I-50-06: GEAR-DRIVEN ROTOR

ITEM	DESCRIPTION	CATALOG NO.	
1	Adjustable Nozzle Pack (1 each 8, 10, 13, 15, 23, 25)	462458SP	
	#8 - Lt. Brown	461144	
	#10 - Lt. Green	461145	
	#13 - Lt. Blue	461146	
	#15 - Gray	461147	
	#23 - Dk. Green	461148	
	#25 - Dk. Blue	462436	
	Nozzles (Bag of 25)		
	Opposing Nozzle Pack (1 each 15, 18, 20, 23, 25, 28)	462459SP	
2	Nozzle Retainer Screw	333900	
3	Diffuser Pin	245400	
4	Filter Screen/Check Valve Assembly (Gray)	993900	
5	Screw Cover Button	Blank ON	252845 252850
6	Rubber Cover Screw (2 Required)		334000
7	Rubber Cover Assembly (Includes Part 8)	Black Purple	828300 828301
8	Rubber Cover Washer		253000
9	Body Cap Assembly	STD ON	828700 831400
10	Riser Seal Slip Washer	Gray	827600
11	Riser Seal	White	827500
12	Spring Seat	Gray	827800
13	I-25/I-40/I-50 Shutoff Cap		223200
14	I-25/I-40/I-50 Blowout Cap - for 1½" (3.8 cm) PVC Pipe		345400
	4" (10 cm) NPT		336405
	4" (10 cm) BSP		336410
15	Body	6" (15 cm) NPT 6" (15 cm) BSP	614705 614710



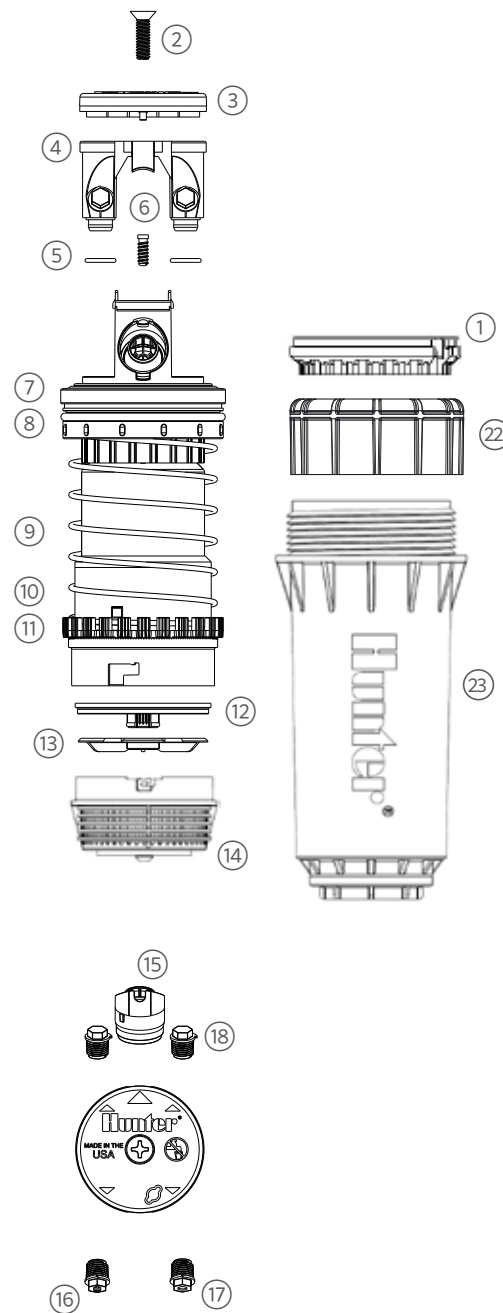
I-60: GEAR-DRIVEN ROTOR

ITEM	DESCRIPTION	CATALOG NO.	
1	Body Cap Assembly	431700	
2	Rubber Cover Screw (2 Required)	334000	
3	Filter Screen Assembly (with Check Valve)	422200	
4	Nozzle Package	ADS	462373
	(Includes 7, 10, 13, 15, 18, 20)	36S	462374



I-80: GEAR-DRIVEN ROTOR

ITEM	DESCRIPTION	CATALOG NO.
1	Snap Ring Assembly	Black 450100
		Purple 450105
2	Screw - Logo Cap Retainer	189755
3	Rubber Logo Cap Assembly (Black)	255300
4	Yoke - Secondary Nozzle Housing	254500
5	O-Ring - Yoke Seal (2 Used)	252104
6	Screw - Primary Nozzle Retainer	180900
7	Seal Block Assembly with O-Ring	517100
8	O-Ring - Seal Block	549400
9	Spring - Riser Retraction	553700
10	Face Seal	256500
11	Ratchet Ring/Spring Seat	255000
12	Stator Base (for Plate #14)	256600
13	Plate - Stator Adjustment (Noz. #23-#53)	266500
15	Primary Nozzles - Each	#23 - Green 272101
		#25 - Blue 272102
		#33 - Gray 272103
		#38 - Red 272104
		#43 - Dk. Brown 272105
		#48 - Dk. Green 272106
16	Short-Range Nozzles - Each	STD - Orange - Nozzles 803603
		ON - Tan - Nozzles 803611
		STD - Lt. Green - Nozzle 315313
		ON - Lt. Blue - Nozzles 315311
18	Plug - Nozzle (Black)	315300
19	Nozzle Pack - #23 - #33 (Incl. Short and Mid)	460055
20	Nozzle Pack - #38 - #53 (Incl. Short and Mid)	460056
21	Yoke Assembly - Includes Items #4, #5, #16, #17 and #18	STD - For Primary Nozzles #23 - #53 863502
		ON - For Primary Nozzles #25 - #53 863506
22	Body Cap	943900
23	Body	NPT - Gray 781301
		BSP - Black 781302

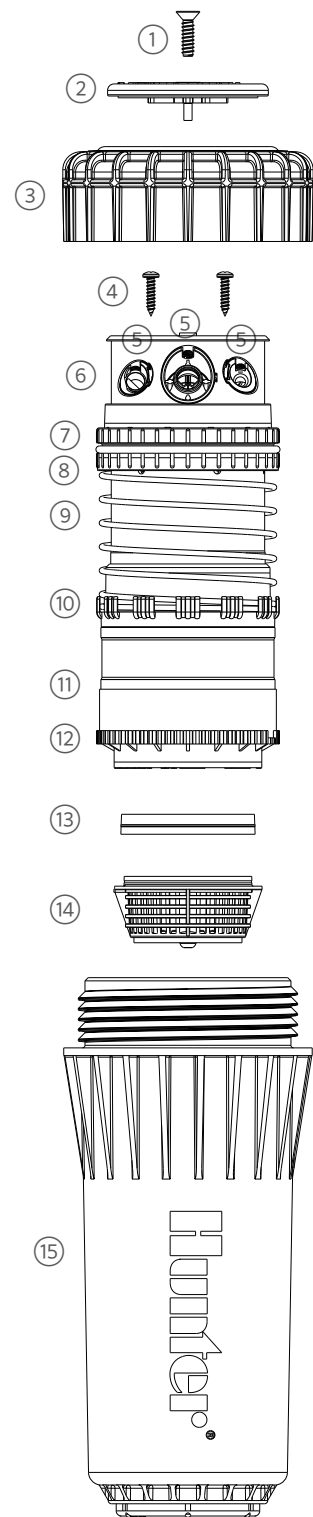


I-90: GEAR-DRIVEN ROTOR

ITEM	DESCRIPTION	CATALOG NO.		
1	Rubber Cover Screw (1 Required)	351800SP		
2	Rubber Cover Assembly	ADV (Black)	529000	
		36V (Black)	528900	
		ARV (Purple)	529005	
		3RV (Purple)	528905	
3	Body Cap Assembly	525000		
4	Retainer Cap Screws (2 Required)	334000		
5	Nozzle Retainer Screw (5 Required, not Shown)	333900		
6	Retainer Cap (6/11 and After) - All	197200		
7	Seal Block*	171710*		
8	O-Ring Seal*	171600*		
9	Retraction Spring*	171900*		
10	Face Seal - Black*	406000*		
11	Bumper - Gray*	171800*		
12	Riser Assembly (Includes #4-11)	ADV, ARV	525500	
		36V, 3RV	525400	
13	Stator Adjustment Plate	052833		
14	Screen Assembly	525200		
15	Body	NPT - Gray	525100	
		BSP - Black	525105	
16	Nozzle Pack (1 Ea 25, 33, 38, 43, 48, 53, 63, 73)	#25 - Lt. Blue	460011	
		#33 - Gray	464363	
17	Primary Nozzles (Sold in Increments of 10)	#38 - Red	464364	
		#43 - Dk. Brown	464365	
		#48 - Dk. Green	464366	
		#53 - Dk. Blue	464367	
		#63 - Black	464368	
		#73 - Orange	460012	
		Low-Angle Primary Nozzles (Sold in Increments of 10)	#25 - Lt. Blue	791500
			#33 - Gray	791600
			#38 - Red	791800
			#43 - Dk. Brown	791900
#48 - Dk. Green	792000			
#53 - Dk. Blue	792100			
#63 - Black	792200			
#73 - Orange	792300			

(Parts 18-21 are listed on the next page)

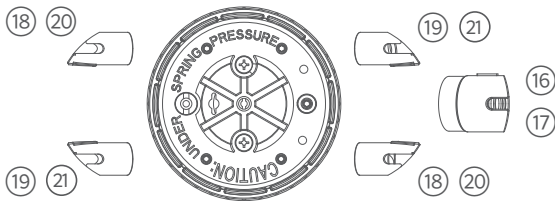
*Parts 7-11 are required for the new I-90 seal replacement kit



I-90: GEAR-DRIVEN ROTOR (CONT. FROM PAGE 15)

ITEM	DESCRIPTION	CATALOG NO.
18	Short Range Nozzle (5/11 and Prior) - All (Left, Black) (Sold in Increments of 10)	439100SP
19	Short-Range Nozzle (6/11 and After) (Left, Red) All Models (Sold in Increments of 10)	191800SP
	Mid-Range Nozzle (5/11 and Prior) (Sold in increments of 10)	(Right, Green) ADV, ARV 439000SP
		(Right, BLue) 36V, 3RV 455400SP
20	Mid-Range Nozzle (6/11 and After) (Sold in Increments of 10)	(Right, Green) ADV, ARV 195701SP
		(Right, BLue) 36V, 3RV 195704SP
21	Nozzle Plug (6/11 and After) (Left, Black) - All (Sold in Increments of 10)	195803SP
	Nozzle Plug (6/11 and After) (Right, Black) - All (Sold in Increments of 10)	195703SP

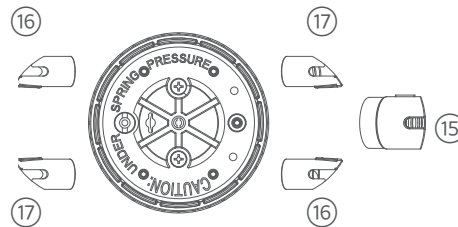
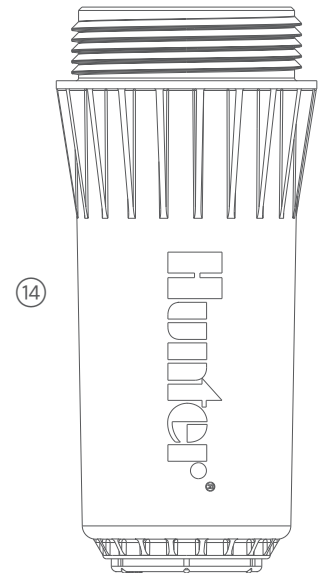
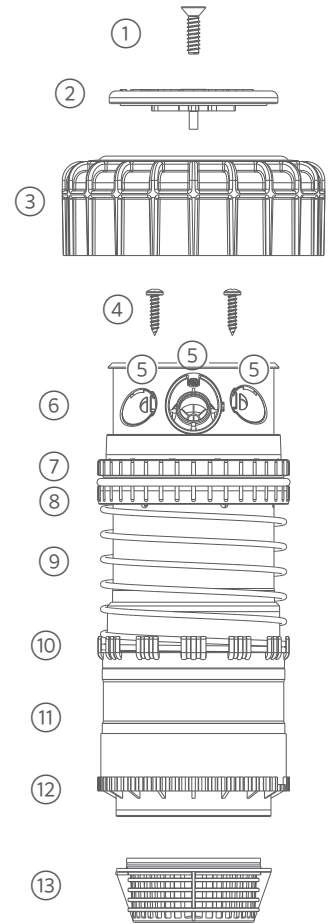
(Please refer to the illustration on page 15)



ST-90: GEAR-DRIVEN ROTOR

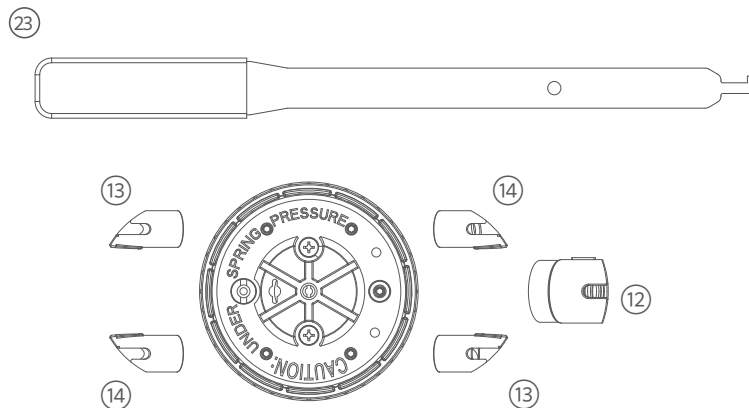
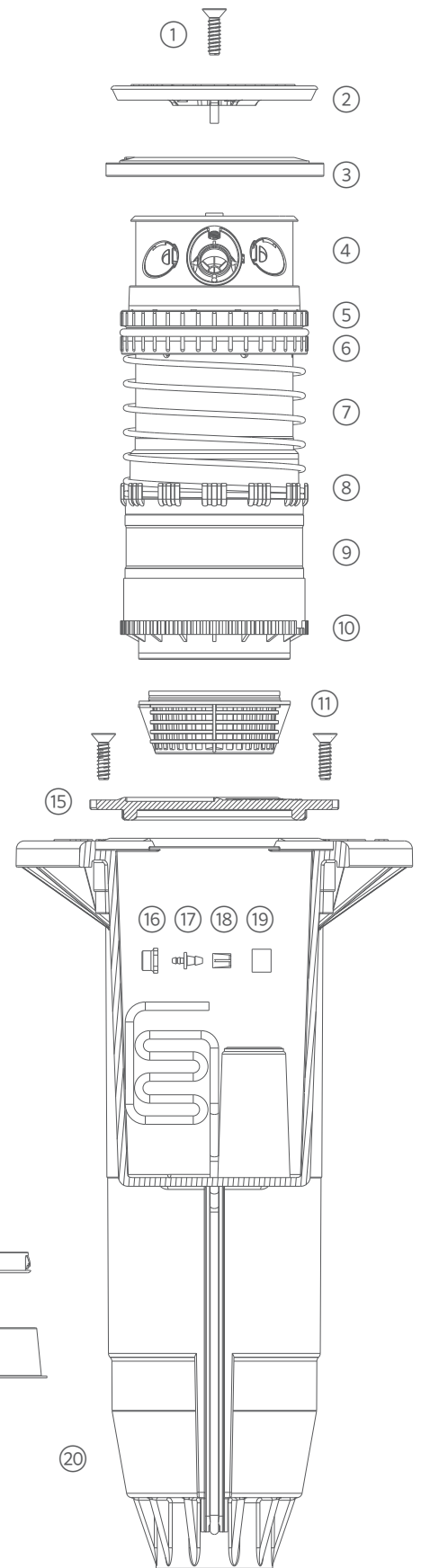
ITEM	DESCRIPTION	CATALOG NO.	
1	Rubber Cover Screw (1 Required)	351800SP	
2	Rubber Cover Assembly - Green	208900SP	
3	Body Cap Assembly	525000	
4	Retainer Cap Screws (2 Required)	334000	
5	Nozzle Retainer Screw (5 Required, not Shown)	333900	
6	Retainer Cap - All	197200SP	
7	Seal Block*	171710*	
8	O-Ring Seal*	171600*	
9	Retraction Spring*	171900*	
10	Face Seal - Black*	406000*	
11	Bumper - Gray*	171800*	
12	Riser Assembly (Includes #4 - 13)	517800	
13	Screen Assembly	524600SP	
14	Body	NPT	525100
		BSP	525105
15	Primary Nozzles (Sold in Increments of 10)	#73 - Orange	460012
		#83 - Tan	464369
16	Nozzle Plug (Left, Green) (Sold in Increments of 10)	195802	
17	Nozzle Plug (Right, Green) (Sold in Increments of 10)	195702	

*Parts 7-11 are required for the new I-90 seal replacement kit



STG-900: GEAR-DRIVEN ROTOR

ITEM	DESCRIPTION	CATALOG NO.
1	Screw - Logo Cap Retainer	351800SP
2	Rubber Logo Cap - (Green)	242505SP
3	Snap Ring Assy. - (Black)	430700
4	Screw - Nozzle Retainer (5 used)	333900
5	Seal Block	171700
6	O-Ring - Seal	171600
7	Spring - Riser Retraction	171900
8	Face Seal - Black	406000
9	Bumper - Gray	171800
10	Riser Assembly - (Incl: Items 4 - 11)	517900
11	Screen - Riser Inlet	524600
12	Primary Nozzles	#73 - Orange 460012
	(Sold in Increments of 10)	#83 - Tan 464369
13	Nozzle Plug (Left, Green) (Sold in Increments of 10)	195802
14	Nozzle Plug (Right, Green) (Sold in Increments of 10)	195702
15	Lid - Flange Compartment	493605
16	Tube Retainer - 1/8" (3 mm) Tubing	476000
17	Connector - 1/4" x 1/8" (6 mm x 3 mm) Tubing	402100
18	Tube Plug - 1/4" (6 mm) Tubing	052608
19	Tube Retainer - 1/4" (6 mm) Tubing	052610
20	Body Assembly, STG-900 (Incl: Items 16 - 22)	521000
21	Cap, Protective - Ssolenoid Wire Hole	643900
22	Cap, Protective	456800
23	Snap Ring Tool	251000SP

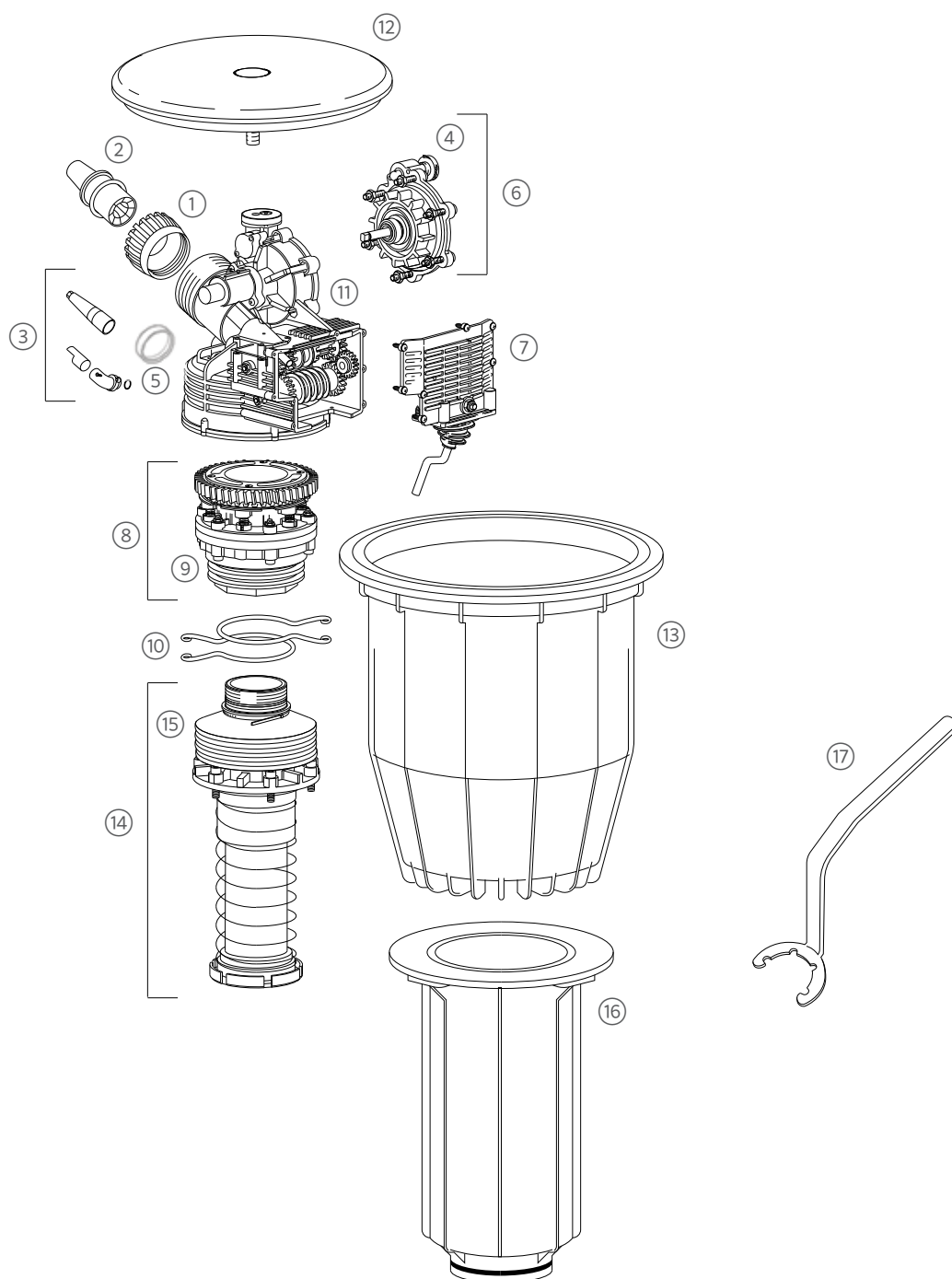


ST-1600-HSB: POP-UP & GEAR DRIVE

ITEM	DESCRIPTION	CATALOG NO.
1	Primary Nozzle Retainer	502402SP
	#16	784800SP
	#18	784801SP
2	Primary Nozzle Kit	#20 784802SP
	#22	784803SP
	#24	784804SP
	#26	784805SP
3	Secondary Nozzle Kit	Female-Threaded Nozzle with Elbow 10005900SP
		Male-Threaded Nozzle 10006100SP
4	Speed Control Knob	510101SP
5	Gearbox Cover	502455
6	Turbine Assembly Kit	10006200SP
7	Reversing Kit	510164SP
8	Turret Inlet Kit	510167SP
9	Threaded Rotor Inlet	893600SP
10	Arc Rings (2)	205617SP
11	Gear Drive Assembly	881900SP
12	Rotor Cover Kit	204205SP
13	Upper Body Kit	502432SP
14	Riser Assembly	502432SP
15	Rubber Boot	502423
16	Lower Body Kit	502442SP
17	Gear-Drive Removal/Installation Tool	517600SP

Illustration on next page

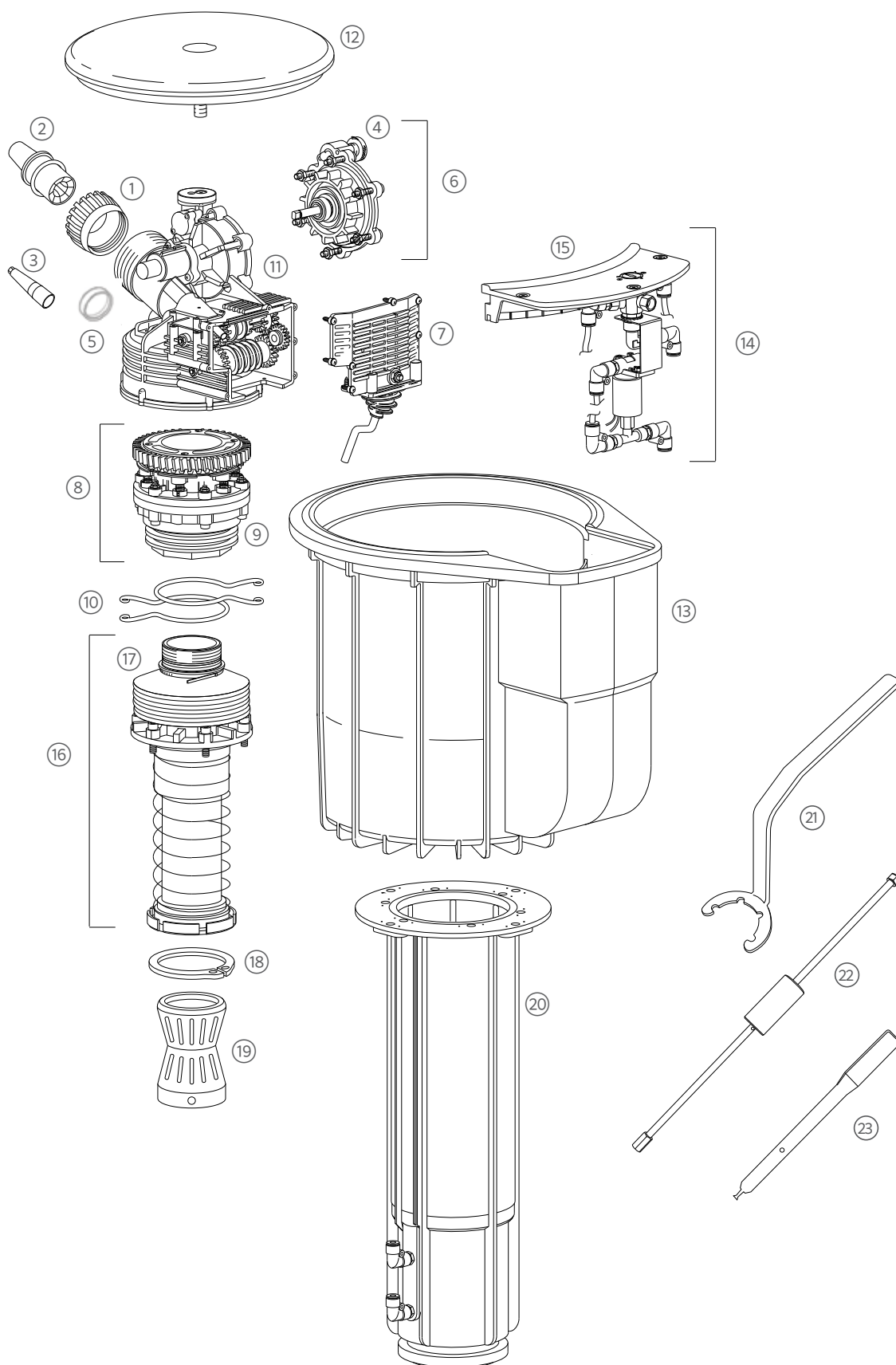
ST-1600-HSB: POP-UP & GEAR DRIVE



ST-1700V: VALVE-IN-HEAD POP-UP & GEAR DRIVE

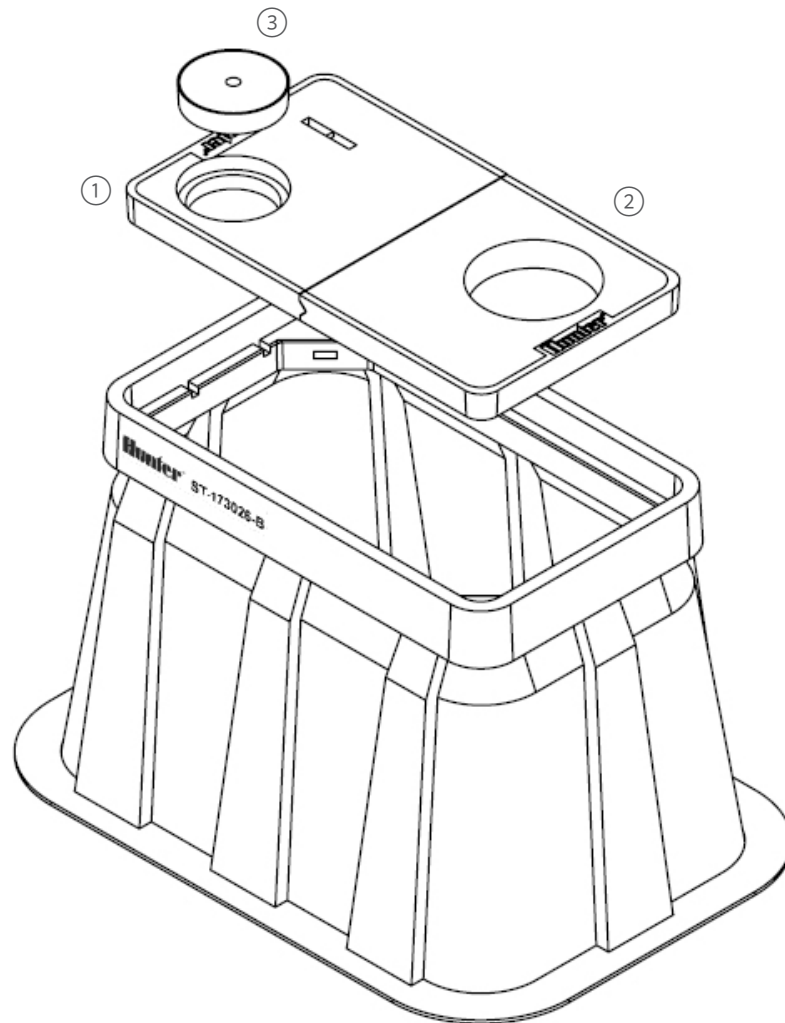
ITEM	DESCRIPTION	CATALOG NO.
1	Primary Nozzle Retainer	502402SP
	#16	784800SP
	#18	784801SP
2	Primary Nozzle Kit	#20 784802SP
	#22	784803SP
	#24	784804SP
3	Secondary Nozzle Kit	10006100SP
4	Speed Control Knob	510101SP
5	Gearbox Cover	502455
6	Turbine Assembly Kit	10006200SP
7	Reversing Kit	510164SP
8	Turret Inlet Kit	510167SP
9	Threaded Rotor Inlet	893600SP
10	Arc Rings (2)	205617SP
11	Gear Drive Assembly	881900SP
12	Rotor Cover Kit	204205SP
13	Upper Body Kit	10006300SP
14	Solenoid Actuator Kit	10006400SP
15	Actuator Cover	10006500SP
16	Riser Assembly	502436SP
17	Rubber Boot	502423
18	Snap Ring	10006600SP
19	Valve-In-Head	10006700SP
20	Lower Body Kit	10006800SP
21	Gear Drive Removal/Installation Tool	517600SP
22	Valve-in-Head Removal Tool	10000100SP
23	Snap Ring Removal Tool	251000SP

ST-1700V: VALVE-IN-HEAD POP-UP & GEAR DRIVE



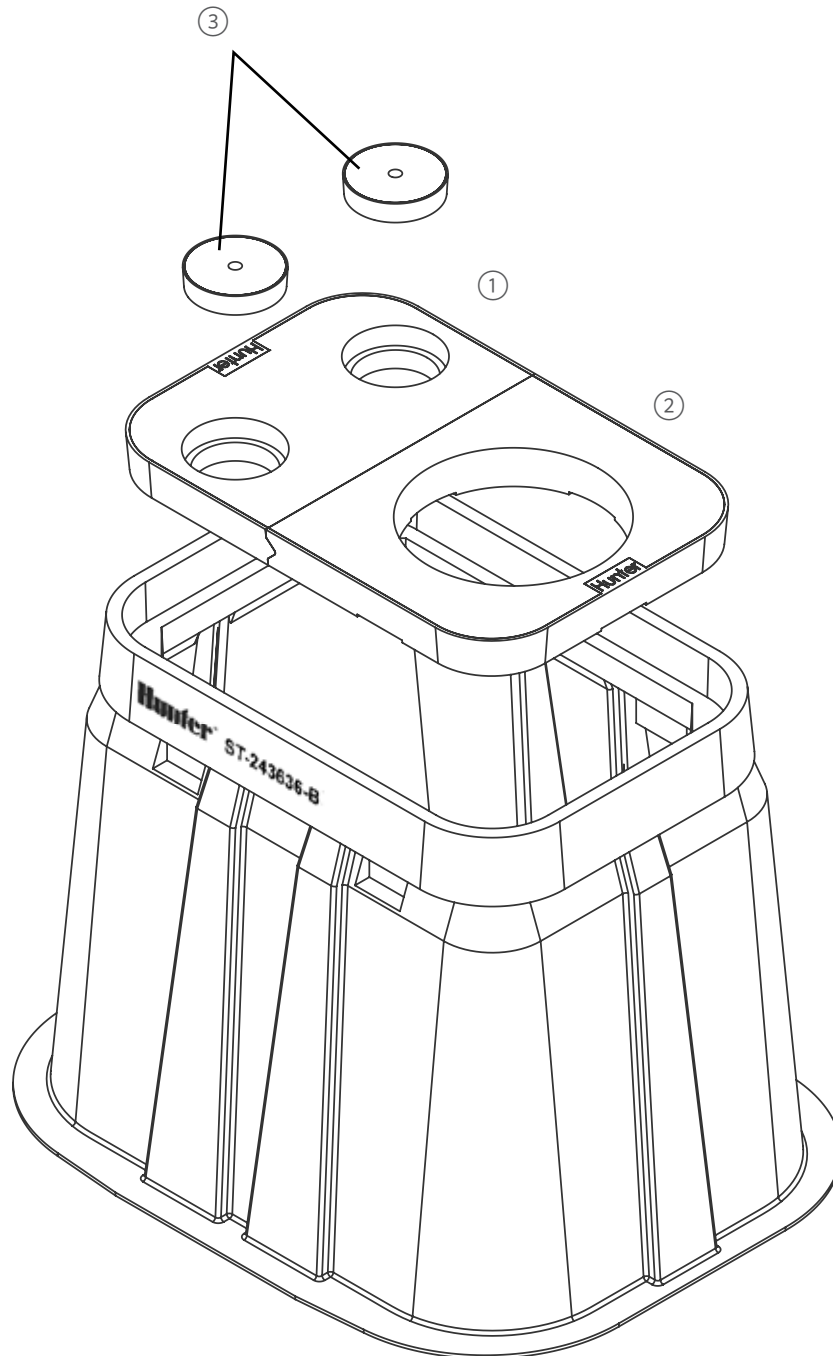
ST-173026-B VAULT

ITEM	DESCRIPTION	CATALOG NO.
1	Cover - Half - Circular Cover Side	953600
2	Cover - Half - Rotor Side	953800
3	Cover Circular - Small	910400



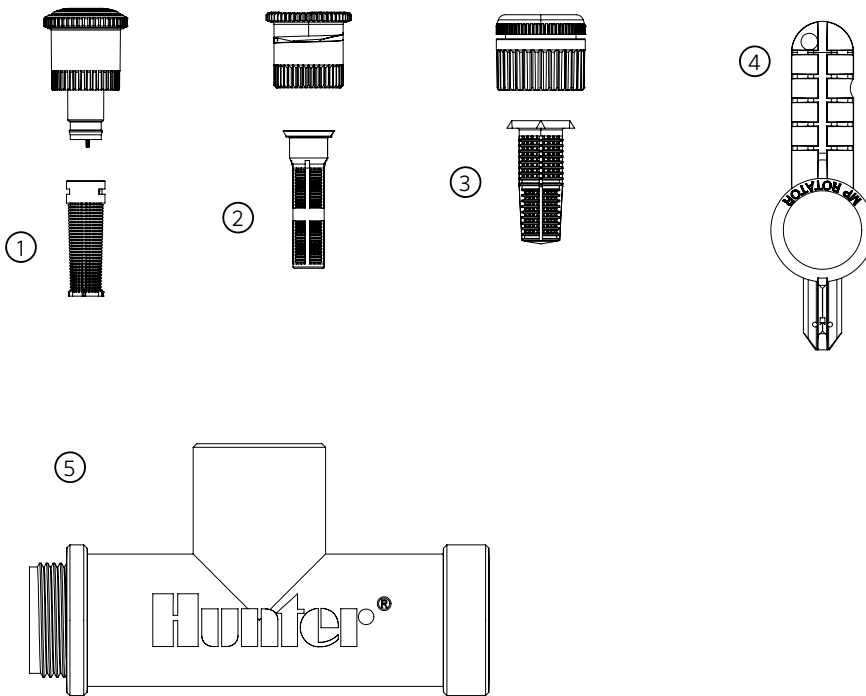
ST-243636-B VAULT

ITEM	DESCRIPTION	CATALOG NO.
1	Cover - Half - Circular Cover Side	916200
2	Cover - Half - Rotor Side	916100
3	Cover - Circular - Small	910400



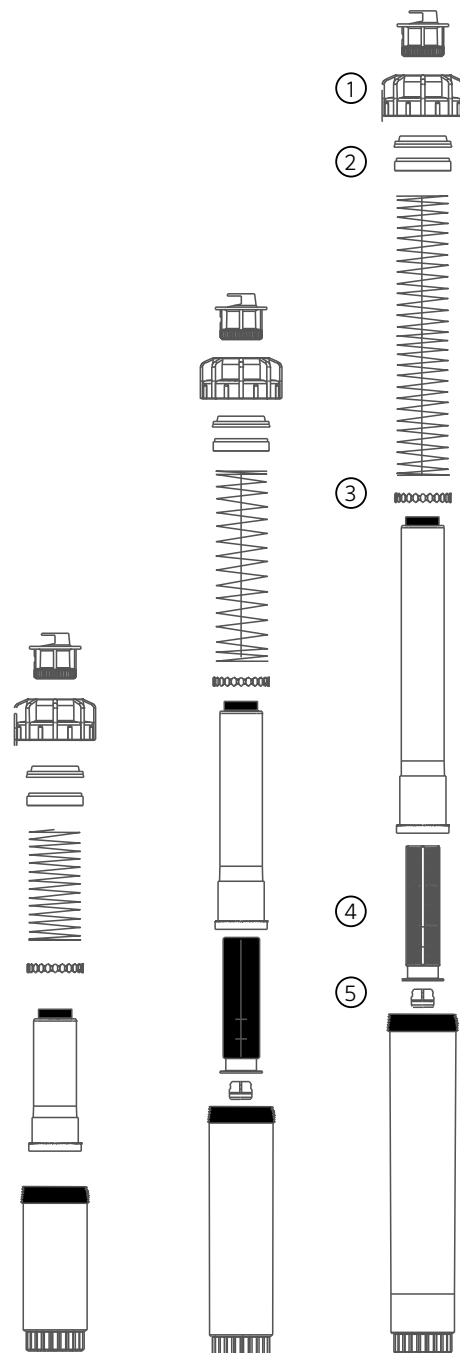
MP ROTATOR® AND SPRAY NOZZLES

ITEM	DESCRIPTION	CATALOG NO.	
1	MP Rotator Filter Screen	Very Fine - MP800SR90	MP8SCREENSP
		Fine - MP800SR360, MP815, MP1000, MP2000, MPStrips, MPCorner	MPFSCREENSP
		Coarse - MP3000, MP3500	MPCSCREENSP
2	Spray Nozzle Filter Screen	Fine - Gray Filter Screen	464716SP
		Coarse - Black Filter Screen	464717SP
3	Bubbler Filter Screen	207700SP	
4	MP Adjustment Tool	MPTOOL	
5	Pressure Gauge Adapter	MPADAPTERSP	
6	Pressure Gauge with Adapter	MPGAUGE	



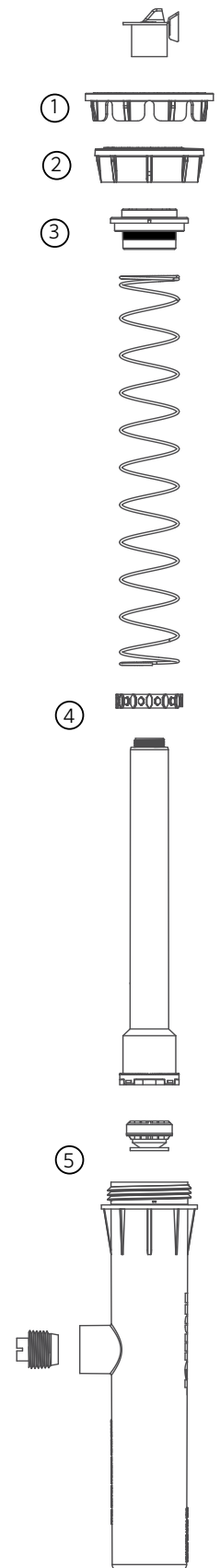
PSU-02, 04, 06: PS ULTRA SPRAY SPRINKLER

ITEM	DESCRIPTION	CATALOG NO.
1	Body Cap Standard (Black)	162600
2	Spring Seat	181100
3	Ratchet Ring	162700
4	Filter Screen (4" (10 cm) and 6" (15 cm) Models Only)	162900SP
5	Check Valve Assembly	462237SP



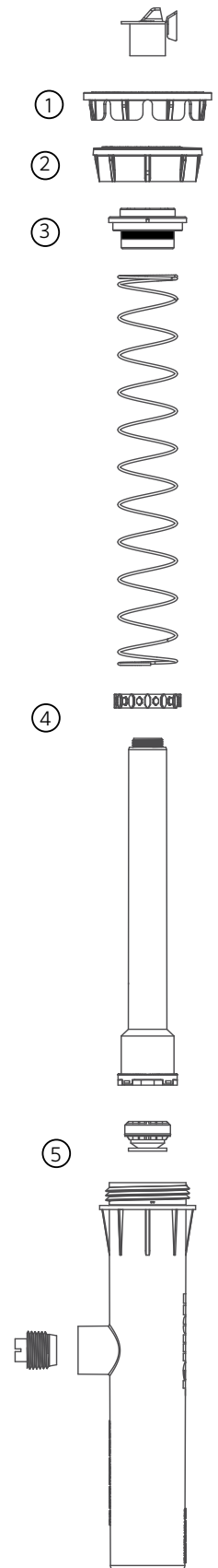
PROS-02, 03, 04, 06, 12: PRO-SPRAY® SPRINKLER

ITEM	DESCRIPTION	CATALOG NO.
1	Snap-On Reclaimed Cap Purple	PROSRCCAPSP
	Standard (Black)	458500SP
	With Check Valve ID (Black)	458505
2	Body Cap	
	Reclaimed Body Cap (Purple)	458520SP
	Reclaimed with Check Valve ID (Purple)	458525
	Pro-Spray Shutoff Cap	213600SP
3	Riser Seal	472300SP
4	Ratchet Ring	629300
5	Check Valve Assembly	437400SP



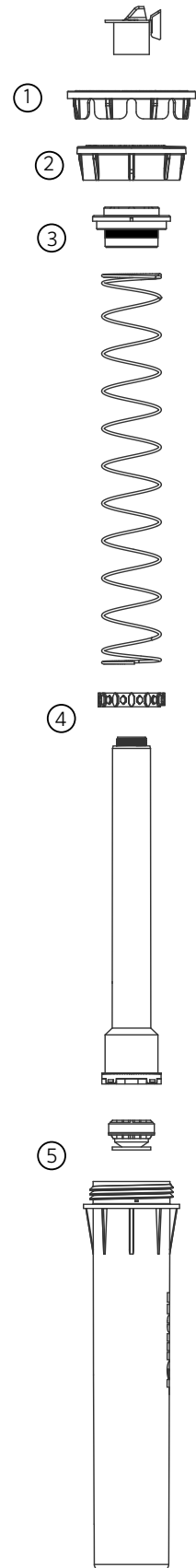
PRS30-04, 06, 12: PRO-SPRAY PRESSURE-REGULATED SPRAY BODIES

ITEM	DESCRIPTION	CATALOG NO.
1	Snap-On Reclaimed Cap Purple	PROSRCCAPSP
	Standard (Brown)	458551
	With Check Valve ID (Brown)	458554
2	Body Cap	
	Reclaimed Body Cap with Check Valve ID (Purple)	458560
	Pro-Spray Shutoff Cap	213600SP
3	Riser Seal	472300SP
4	Ratchet Ring	629300
5	Check Valve Assembly	437400SP



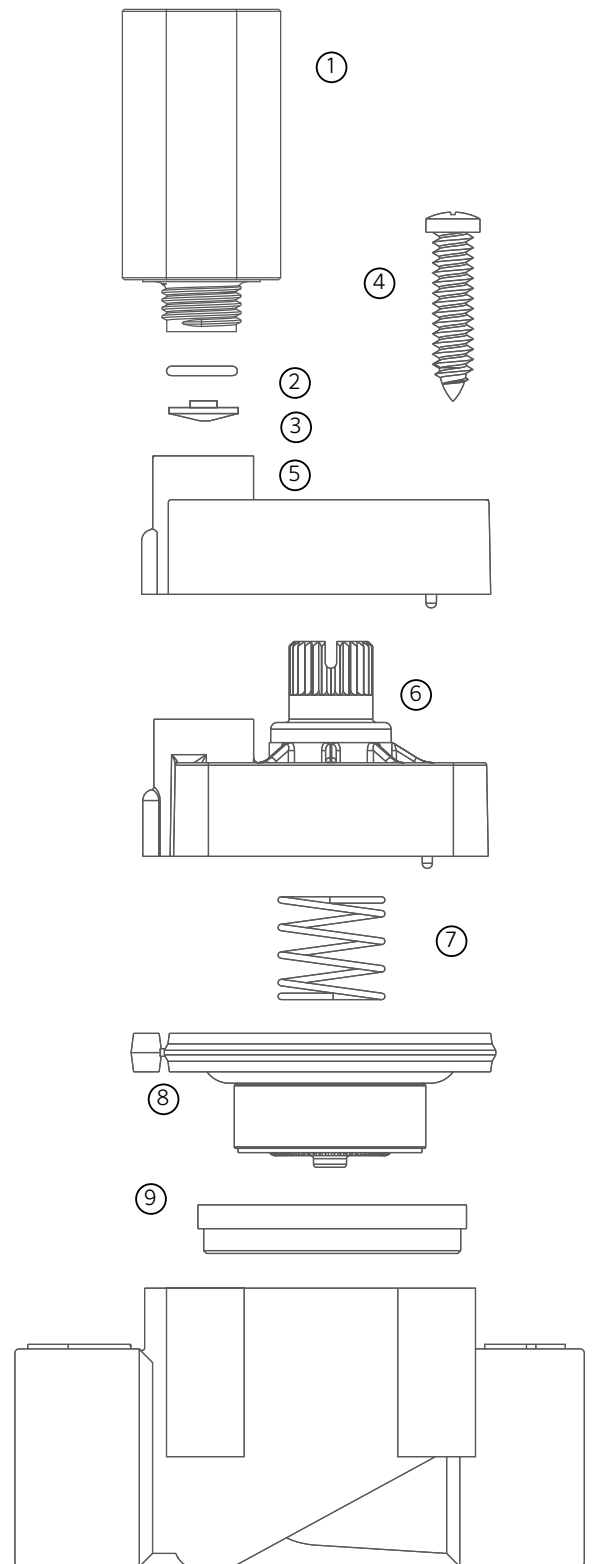
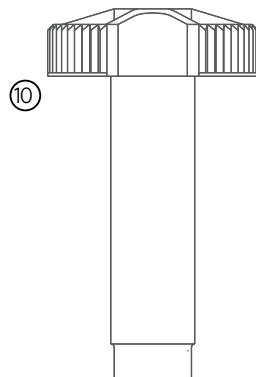
PRS40-04CV, 06CV, 12CV: PRO-SPRAY PRESSURE-REGULATED SPRAY BODIES

ITEM	DESCRIPTION	CATALOG NO.
1	Snap-On Reclaimed Cap Purple	PROSRCCAPSP
2	Body Cap	Standard (Gray) with Check Valve ID
		458556
		Reclaimed with Check Valve ID (Purple)
		458562
	Pro-Spray Shutoff Cap	213600SP
3	Riser Seal	472300SP
4	Ratchet Ring	629300
5	Check Valve Assembly	437400SP



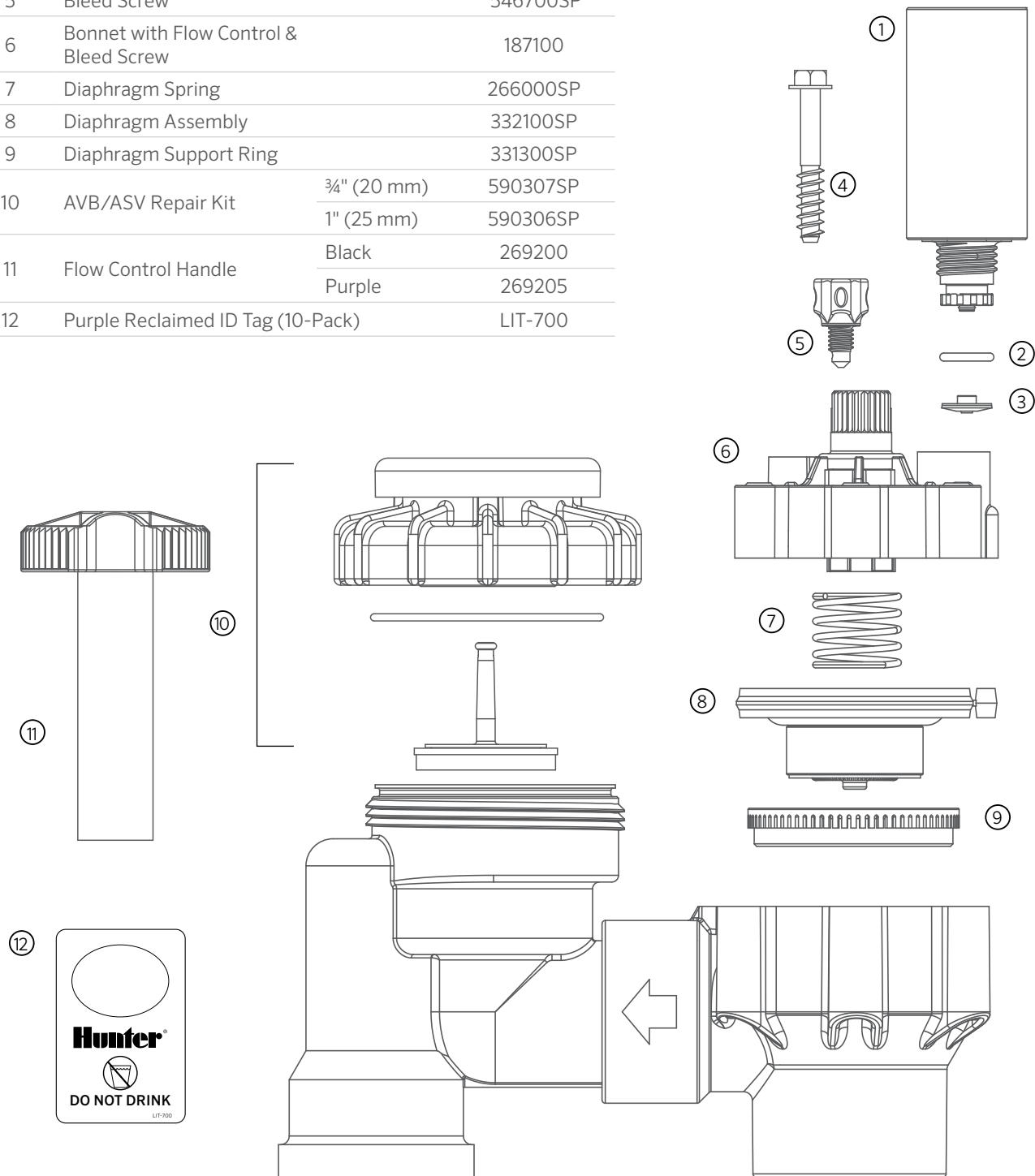
SRV: PLASTIC VALVE

ITEM	DESCRIPTION		CATALOG NO.
1	Solenoid Assembly (Includes 2 & 3)	AC Solenoid	606800
		DC Solenoid	458200
2	O-Ring		262600
3	Solenoid Seal		364400
4	Bonnet Screw		427300
5	Bonnet without Flow Control		556100
6	Bonnet with Flow Control		556000
7	Diaphragm Spring		266000SP
8	Diaphragm Assembly		332100SP
9	Diaphragm Support Ring		331300SP
10	Flow Control Handle	Black	269200



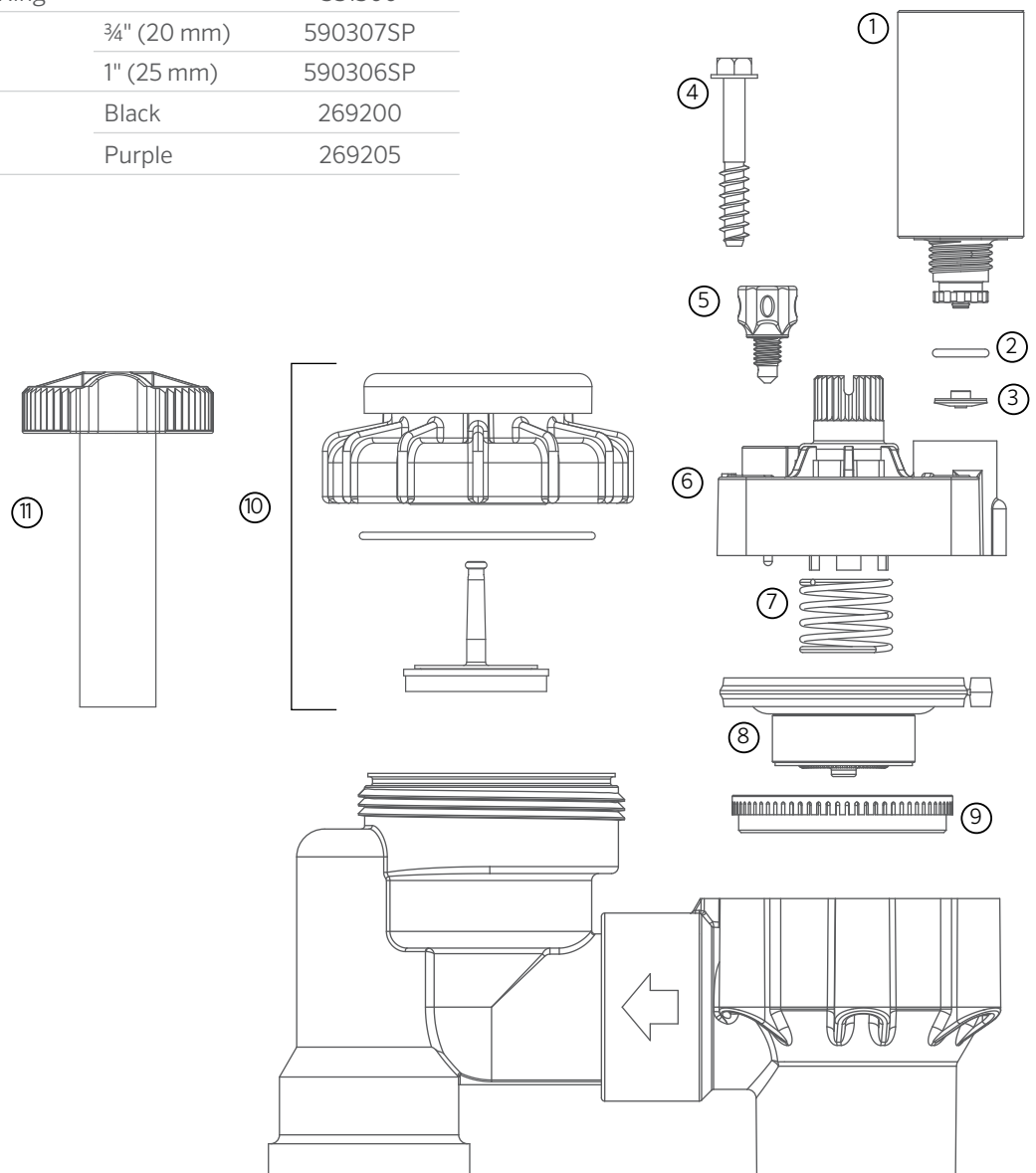
PGV-ASV: PLASTIC VALVE, 6-BOLT BONNET DESIGN

ITEM	DESCRIPTION		CATALOG NO.
1	Solenoid Assembly (Includes 2 & 3)	AC Solenoid	606800
		DC Solenoid	458200
2	O-Ring		262600
3	Solenoid Seal		364400
4	Bonnet Screw		427300
5	Bleed Screw		546700SP
6	Bonnet with Flow Control & Bleed Screw		187100
7	Diaphragm Spring		266000SP
8	Diaphragm Assembly		332100SP
9	Diaphragm Support Ring		331300SP
10	AVB/ASV Repair Kit	¾" (20 mm)	590307SP
		1" (25 mm)	590306SP
11	Flow Control Handle	Black	269200
		Purple	269205
12	Purple Reclaimed ID Tag (10-Pack)		LIT-700



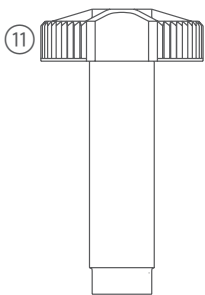
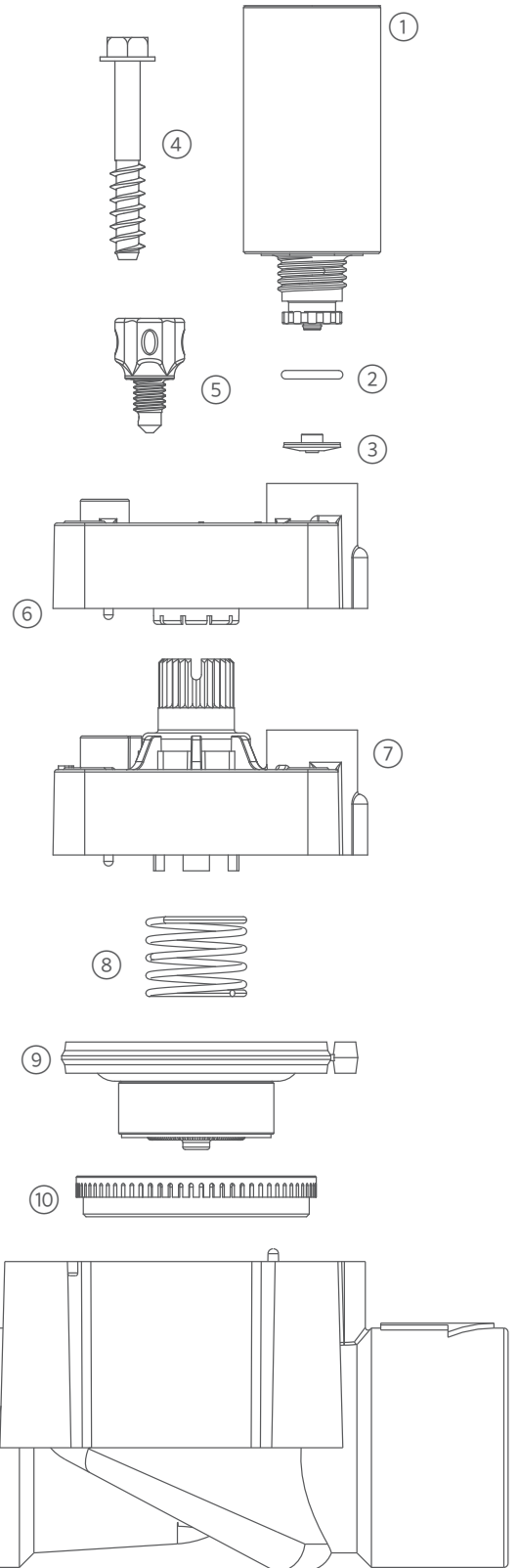
PGV-ASV: PLASTIC VALVE, 4-BOLT BONNET DESIGN

ITEM	DESCRIPTION		CATALOG NO.
1	Solenoid Assembly (Includes 2 & 3)	AC Solenoid	606800
		DC Solenoid	458200
2	O-Ring		262600
3	Solenoid Seal		364400
4	Bonnet Screw		427300
5	Bleed Screw		546700SP
6	Bonnet with Flow Control & Bleed Screw		556000
7	Diaphragm Spring		266000SP
8	Diaphragm Assembly		332100SP
9	Diaphragm Support Ring		331300
10	AVB/ASV Repair Kit	¾" (20 mm)	590307SP
		1" (25 mm)	590306SP
11	Flow Control Handle	Black	269200
		Purple	269205



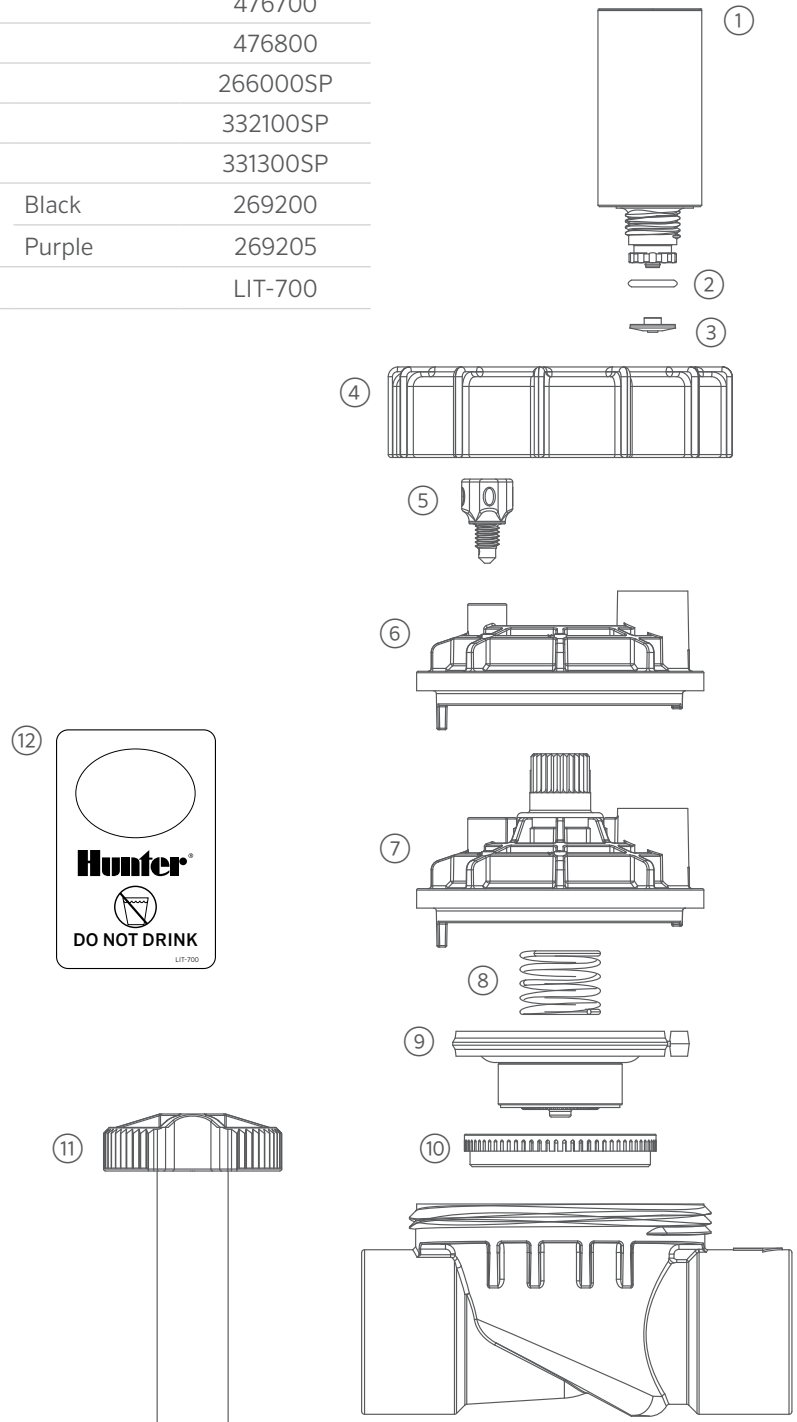
PGV-100G, 101G: PLASTIC VALVE

ITEM	DESCRIPTION		CATALOG NO.
1	Solenoid Assembly (Includes 2 & 3)	AC Solenoid	606800
		DC Solenoid	458200
2	O-Ring		262600
3	Solenoid Seal		364400
4	Bonnet Screw		427300
5	Bleed Screw		546700SP
6	Bonnet without Flow Control with Bleed Screw		556100
7	Bonnet with Flow Control & Bleed Screw		556000
8	Diaphragm Spring		266000SP
9	Diaphragm Assembly		332100SP
10	Diaphragm Support Ring		331300
11	Flow Control Handle	Black	269200
		Purple	269205
12	Purple Reclaimed ID Tag (10-Pack)		LIT-700



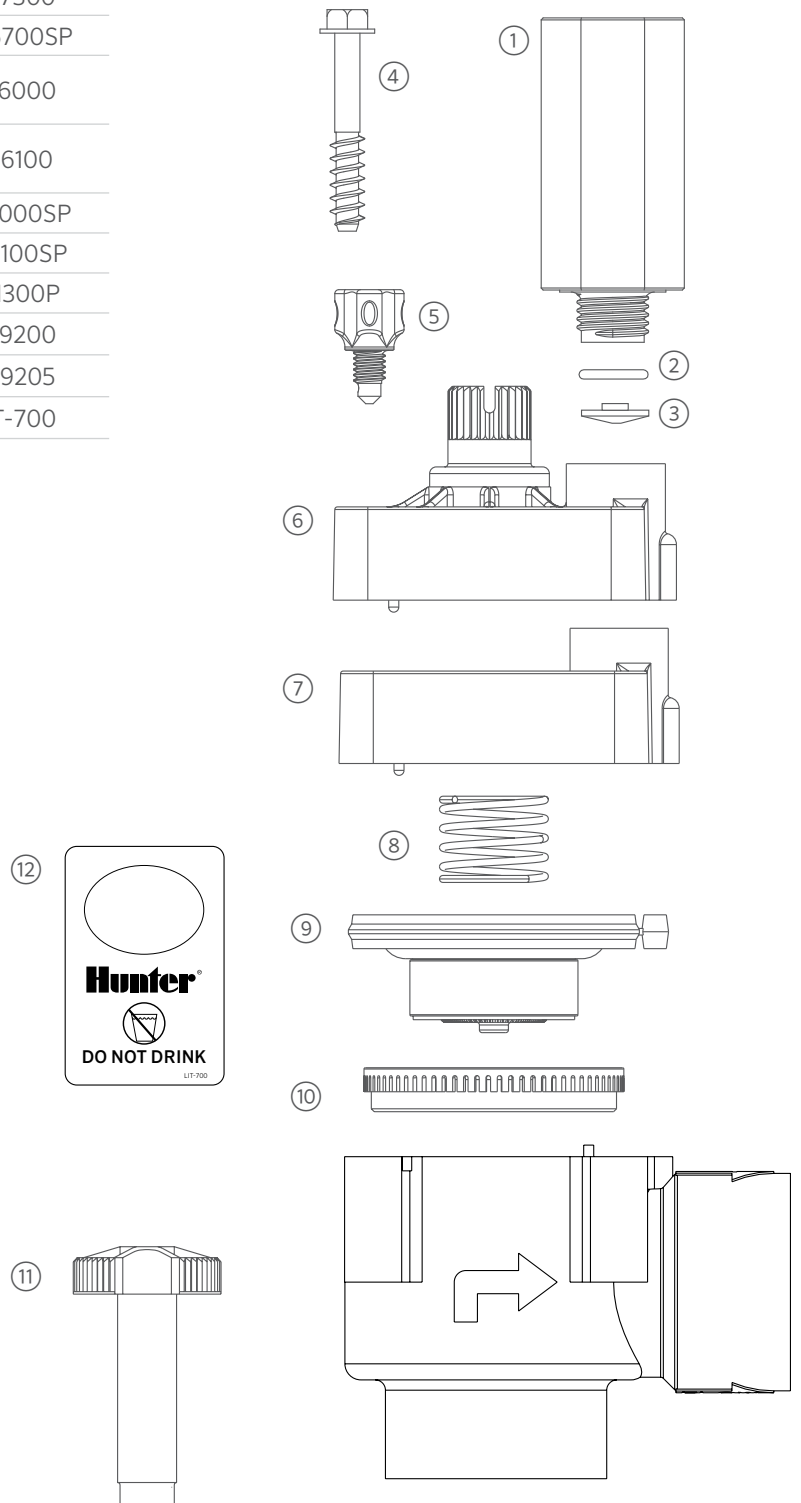
PGV JAR-TOP: PLASTIC VALVE

ITEM	DESCRIPTION		CATALOG NO.
1	Solenoid Assembly (Includes 2 & 3)	AC Solenoid	606800
		DC Solenoid	458200
2	O-Ring		262600
3	Solenoid Seal		364400
4	Bonnet Ring		476100
5	Bleed Screw		546700SP
6	Bonnet Assembly (No Flow Control)		476700
7	Bonnet Assembly (With Flow Control)		476800
8	Diaphragm Spring		266000SP
9	Diaphragm Assembly		332100SP
10	Diaphragm Support Ring		331300SP
11	Flow Control Handle	Black	269200
		Purple	269205
12	Purple Reclaimed ID Tag (10-Pack)		LIT-700



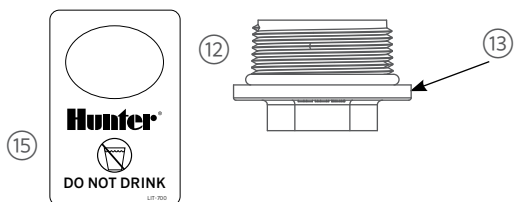
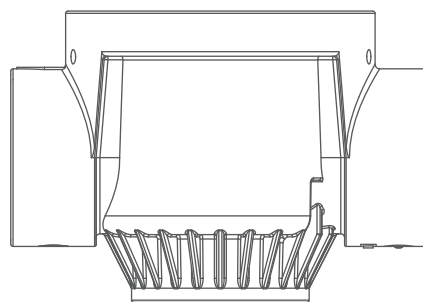
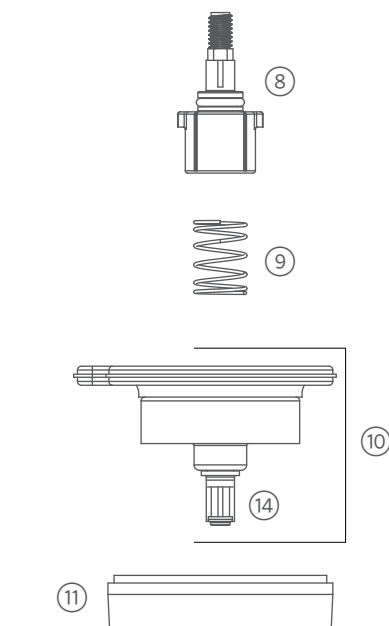
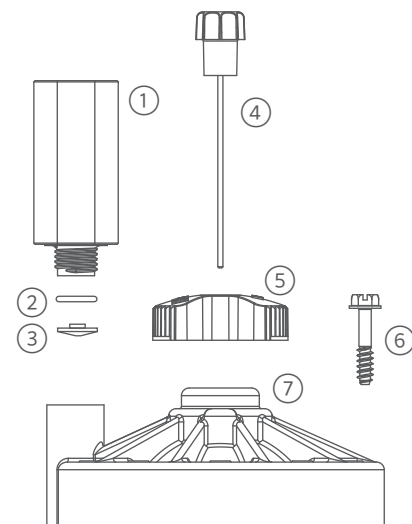
PGV-100A, 101A: PLASTIC VALVE

ITEM	DESCRIPTION		CATALOG NO.
1	Solenoid Assembly (Includes 2 & 3)	AC Solenoid	606800
		DC Solenoid	458200
2	O-Ring		262600
3	Solenoid Seal		364400
4	Bonnet Screw		427300
5	Bleed Screw		546700SP
6	Bonnet with Flow Control & Bleed Screw		556000
7	Bonnet without Flow Control with Bleed Screw		556100
8	Diaphragm Spring		266000SP
9	Diaphragm Assembly		332100SP
10	Diaphragm Support Ring		331300P
11	Flow Control Handle	Black	269200
		Purple	269205
12	Purple Reclaimed ID Tag (10-Pack)		LIT-700



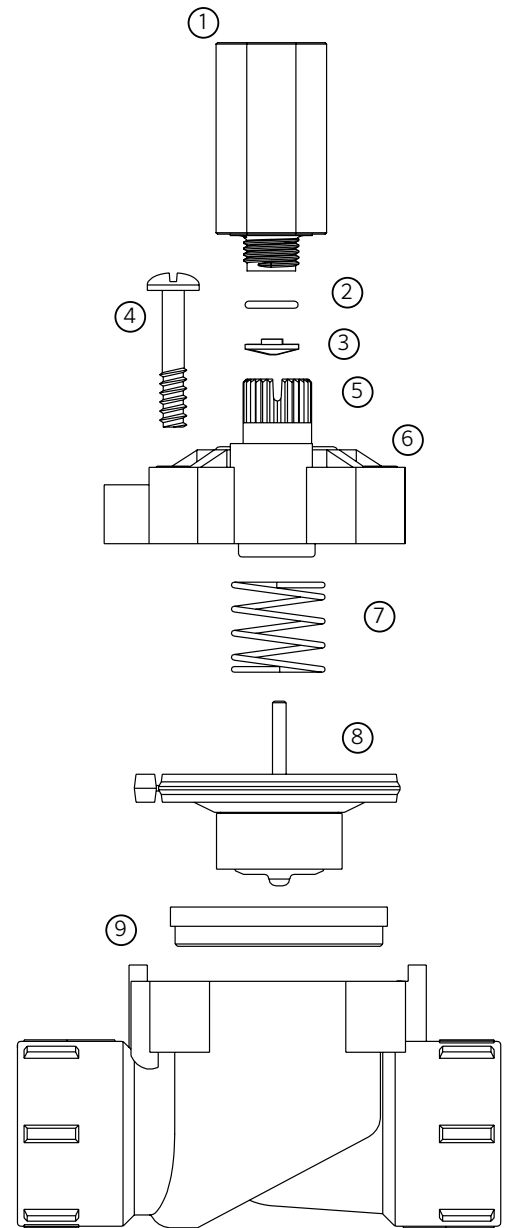
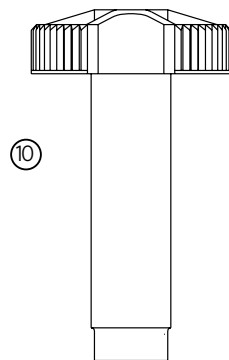
PGV-151, 201: PLASTIC VALVE

ITEM	DESCRIPTION		CATALOG NO.
1	Solenoid Assembly (Includes 2 & 3)	AC Solenoid	606800
		DC Solenoid	458200
2	O-Ring		262600
3	Solenoid Seal		364400
4	Bleed Screw Assembly (Qty. 5)	1½" (40 mm)	427000SP
		2" (50 mm)	427100SP
5	Flow Control Handle (Qty. 5)	Black	607100SP
		Purple	607105SP
6	Bonnet Screw		472800
7	Bonnet	1½" (40 mm)	414000SP
		2" (50 mm)	415500SP
8	Flow Control Stem Assembly (Includes stem, stem nut, O-Ring)	1½" (40 mm)	421500SP
		2" (50 mm)	414600SP
	Flow Control Stem	1½" (40 mm)	606900
		2" (50 mm)	607000
	Flow Control Stem Nut	1½" (40 mm)	413000
		2" (50 mm)	414700
	Flow Control Stem O-Ring	1½" & 2" (40 mm & 50 mm)	412900
9	Spring	1½" (40 mm)	412300
		2" (50 mm)	414200
10	Diaphragm Assembly	1½" (40 mm)	414100SP
		2" (50 mm)	415600SP
11	Diaphragm Support	1½" (40 mm)	413100
		2" (50 mm)	414800
12	Body Plug without O-Ring	1½" NPT (40 mm)	413800
		1½" BSP (40 mm)	413805
		2" NPT (50 mm)	415300
		2" BSP (50 mm)	415305
13	O-Ring for Plug	1½" (40 mm)	413900
		2" (50 mm)	415400
14	Diaphragm Filter Screen	1½" & 2" (40 mm & 50 mm)	386600
15	Purple Reclaimed ID Tag (10-Pack)		LIT-700



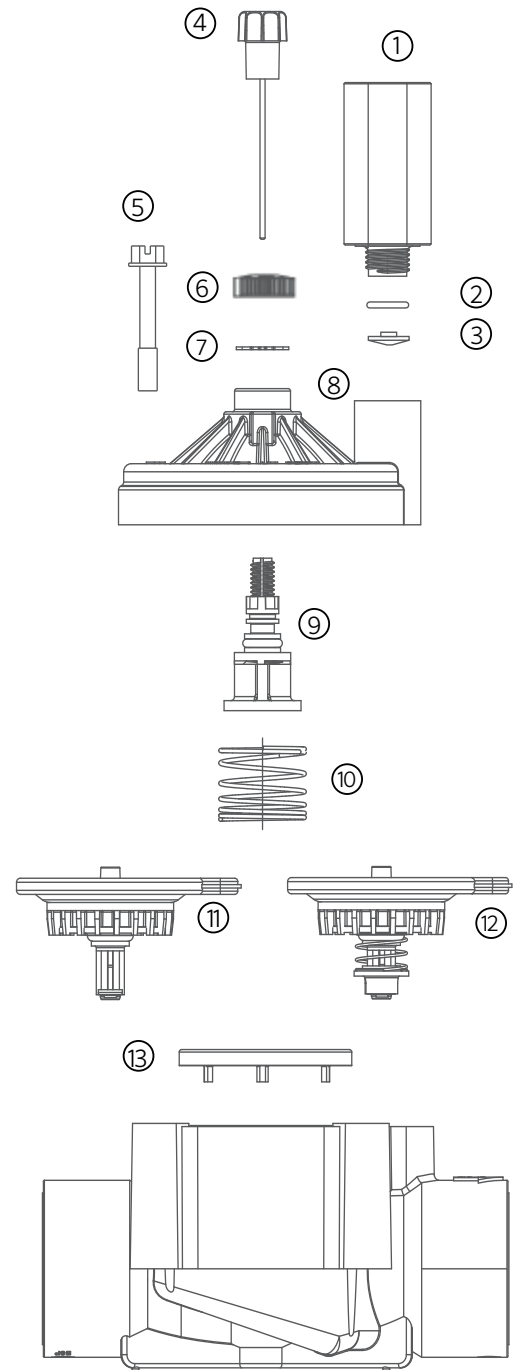
HPV: PLASTIC VALVE

ITEM	DESCRIPTION		CATALOG NO.
1	Solenoid Assembly (Includes 2 & 3)	AC Solenoid	606800
		DC Solenoid	458200
2	O-Ring		262600
3	Solenoid Seal		364400
4	Bonnet Screw		266100
5	Bonnet with Flow Control		266702SP
6	Bonnet without Flow Control		266602SP
7	Diaphragm Spring		266000SP
8	Diaphragm Assembly		266902SP
9	Diaphragm Support Ring		265000SP
10	Flow Control Handle	Black	269200
		Purple	269205



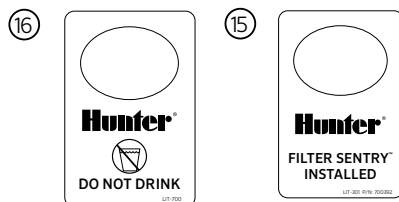
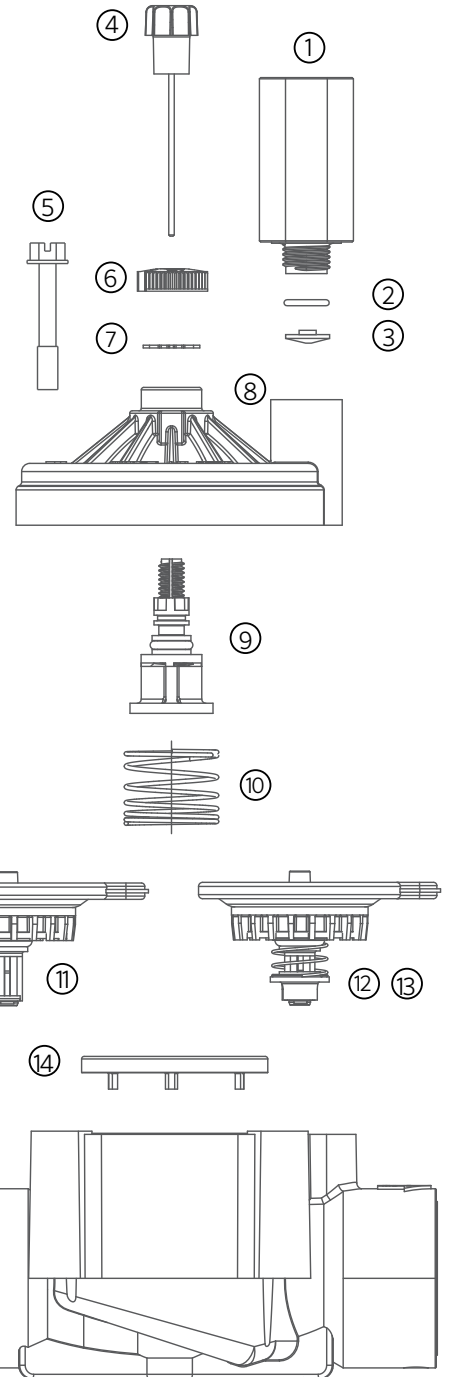
ICV-101G: PLASTIC VALVE

ITEM	DESCRIPTION	CATALOG NO.	
1	Solenoid Assembly (Includes 2 & 3)	AC Solenoid	606800
		DC Solenoid	458200
2	O-Ring	262600	
3	Solenoid Seal	364400	
4	Bleed Assembly	561400	
5	Bonnet Bolt	386900	
6	Flow Control Knob	561200SP	
		561205SP	
7	E-Clip Retainer	387200	
8	Bonnet	387700	
9	Flow Control Stem Assembly (Includes stem, stem nut, O-Ring)	387900	
		Flow Control Stem	560900
		Flow Control Stem Nut	386000
		Flow Control Stem O-Ring	387100
10	Spring	386700	
11	Diaphragm Assembly -Standard	387800SP	
12	Diaphragm Assembly with Filter Sentry Mechanism	461503SP	
13	Diaphragm Support Ring	711900	
14	Filter Sentry® Tag, Yellow (10-Pack)	700392SP	
15	Purple Reclaimed ID Tag (10-Pack)	LIT-700	



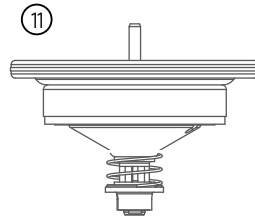
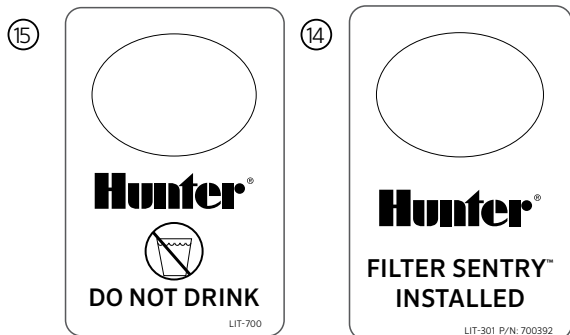
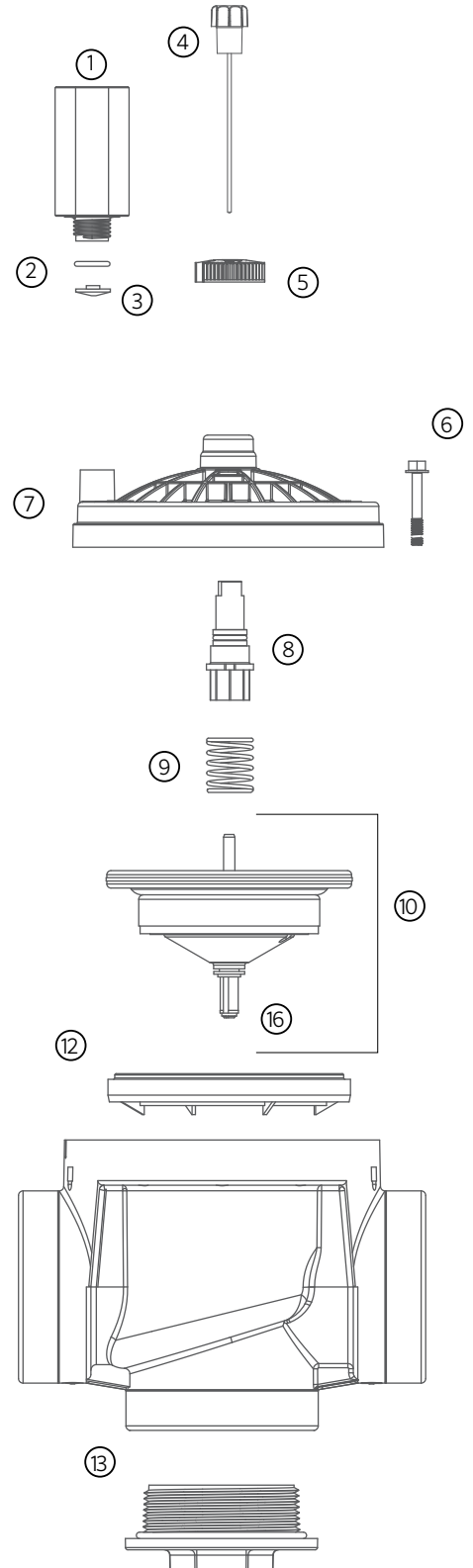
ICV-151G & 201G: PLASTIC VALVE

ITEM	DESCRIPTION		CATALOG NO.
1	Solenoid Assembly (Includes 2 & 3)	AC Solenoid	606800
		DC Solenoid	458200
2	O-Ring		262600
3	Solenoid Seal		364400
4	Bleed Assembly		561500SP
5	Bonnet Bolt		366700
6	Flow Control Knob		561200SP
			561205SP
7	E-Clip Retainer		387200
8	Bonnet		380600SP
9	Flow Control Stem Assembly (Includes stem, stem nut, O-Ring)		374600SP
10	Spring		365400SP
11	Diaphragm Assembly - Standard		460026SP
12	Diaphragm Assembly with Filter Sentry Mechanism		460027SP
13	Diaphragm Assembly, Reclaimed		676902SP
14	Diaphragm Support Ring		365900SP
15	Filter Sentry Tag, Yellow (10-Pack)		700392SP
16	Purple Reclaimed ID Tag (10-Pack)		LIT-700



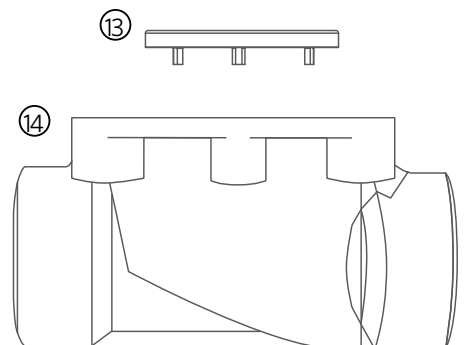
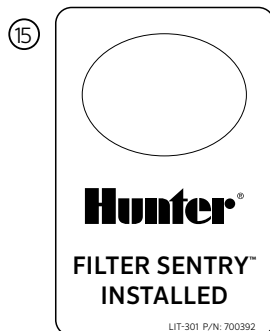
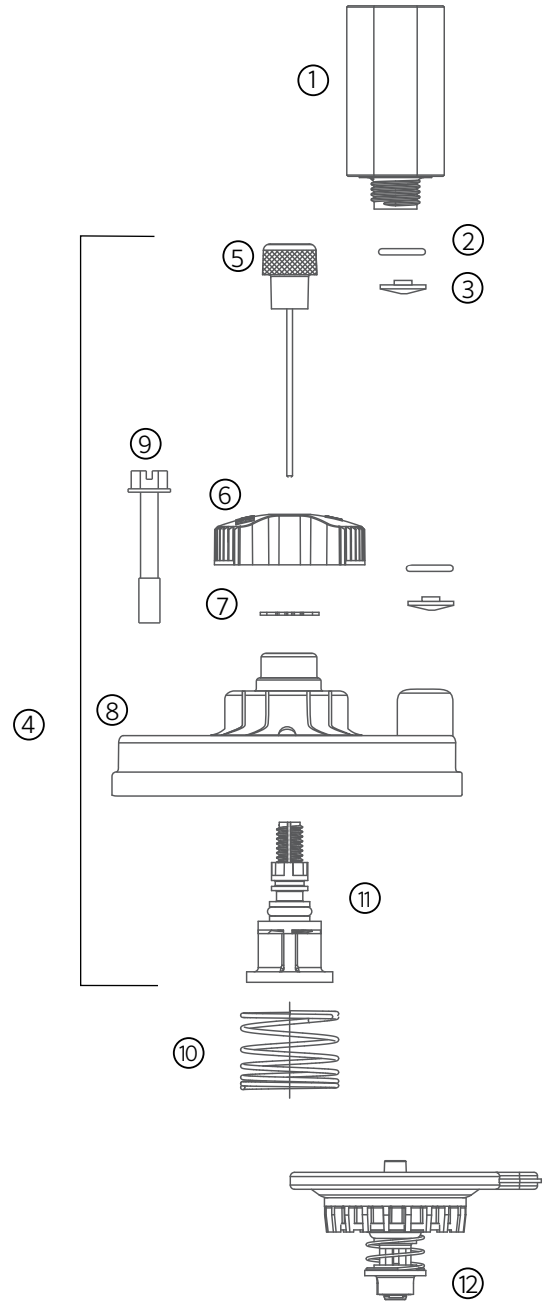
ICV-301: PLASTIC VALVE

ITEM	DESCRIPTION		CATALOG NO.
1	Solenoid Assembly (Includes 2 & 3)	AC Solenoid	606800
		DC Solenoid	458200
2	O-Ring		262600
3	Solenoid Seal		364400
4	Bleed Assembly, (2015 and Older) Bleed Assembly, for Old-Style Female Threaded Flow Control Stem		836200
			518800
5	Flow Control Knob, (2015 and Older) Flow Control Knob, for Use with Current Production Flow Control Stem with Male Threads	Black	515000
		Purple	515005
5	Flow Control Knob, for Use with Current Production Flow Control Stem with Male Threads	Black	836500
		Purple	836501SP
6	Bonnet Bolt		386900
7	Bonnet Assembly (incl. 4, 5, 8)		856300SP
8	Flow Control Stem Assembly, (2015 and Older) Flow Control Stem Assembly, Old-Style with Female Threads		836200
			516100
9	Diaphragm Spring		518000
10	Diaphragm Assembly		518900SP
11	Filter Sentry Diaphragm Assembly		518905SP
12	Diaphragm Support		514600
13	Port Plug Assembly including O-Ring	NPT	514900
		BSP	514905
14	Filter Sentry Tag, Yellow (10-Pack)		700392SP
15	Purple Reclaimed ID Tag (10-Pack)		LIT-700
16	Diaphragm Filter Screen		365200



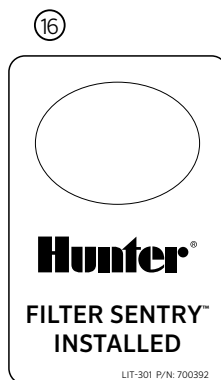
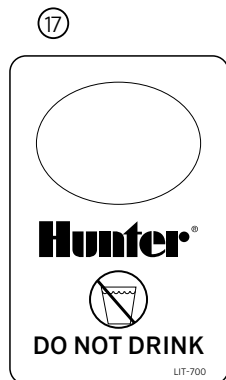
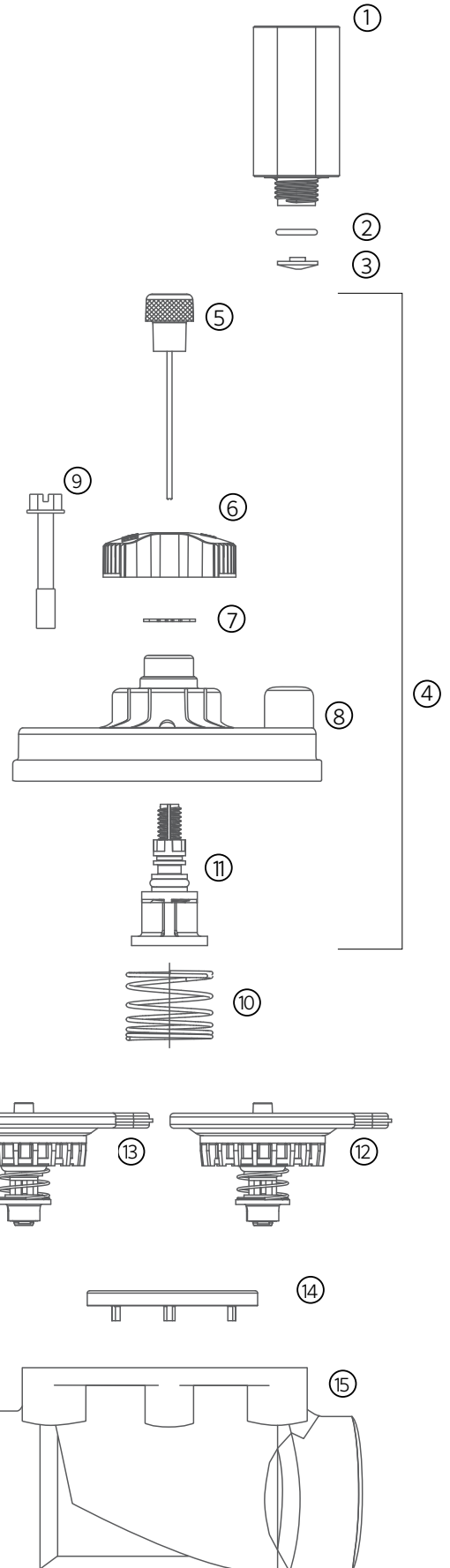
IBV-101G: BRASS VALVE

ITEM	DESCRIPTION		CATALOG NO.
1	Solenoid Assembly (Includes Parts 2 & 3)	AC Solenoid	606800
		DC Latching Solenoid	458200
2	Solenoid O-Ring		262600
3	Solenoid Seal		364400
4	Bonnet Assembly (Includes Parts 5-8, 11)		901700SP
5	Bleed Screw (10-Pack)		902000SP
6	Flow Control Knob	Standard	899600SP
		Purple Reclaimed	899605SP
7	E-Clip Retainer		387200
8	Bonnet		--
9	Bonnet Bolts		669000
10	Diaphragm Spring		518000SP
11	Flow Control Stem Assembly (Includes Parts 12-14)	Flow Control Stem	--
		Flow Control Stem Nut	--
		Flow Control Stem O-Ring	--
		Diaphragm Assembly	Filter Sentry
13	Diaphragm Support Ring		711900
14	Valve Body		--
15	Filter Sentry Tag (10-Pack)		700392SP
16	Purple Reclaimed ID Tag (10-Pack)		LIT-700



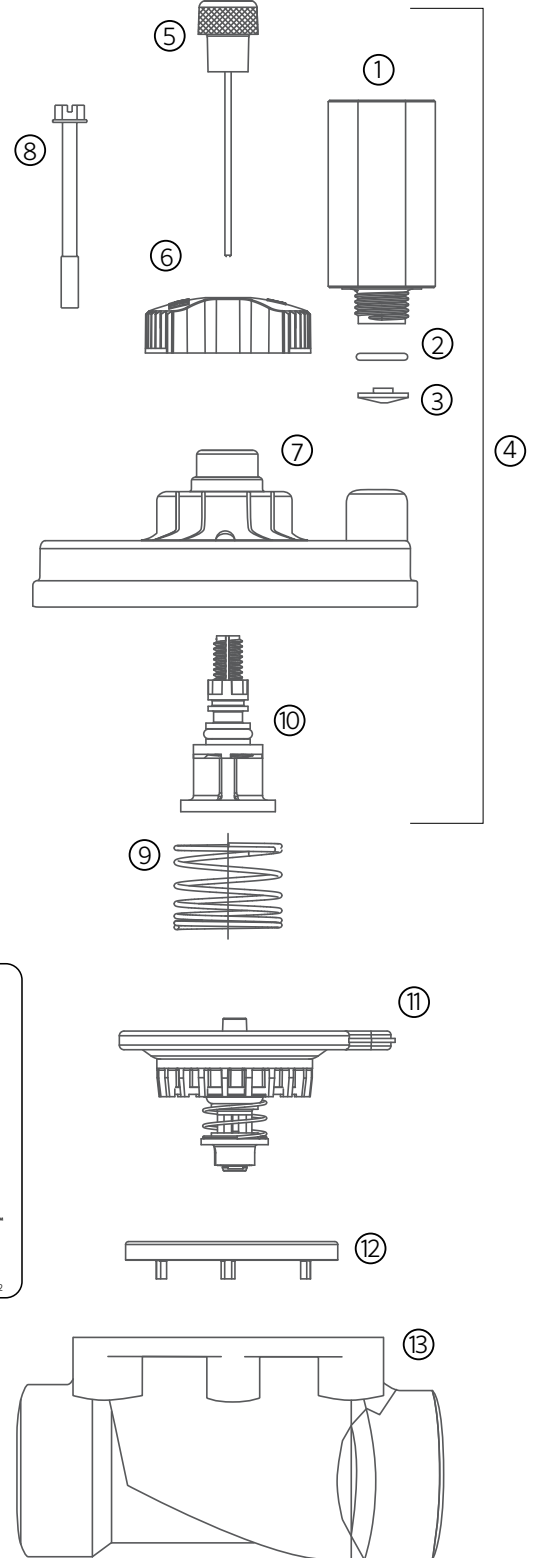
IBV-151G & IBV-201G: BRASS VALVES

ITEM	DESCRIPTION		CATALOG NO.
1	Solenoid Assembly (Includes 2 & 3)	AC Solenoid	833400SP
		DC Solenoid	458200
2	Solenoid O-Ring		262600
3	Solenoid Seal		364400
4	Bonnet Assembly (Includes Parts 5-8, 11)		900800SP
5	Bleed Screw (10-Pack)		901000SP
6	Flow Control Knob	Standard	899600SP
		Purple	899605SP
		Reclaimed	
7	E-Clip Retainer (10-Pack)		371600SP
8	Bonnet		--
9	Bonnet Bolts		669000
10	Diaphragm Spring		365400SP
11	Flow Control Stem Assembly (Includes Parts 12-14)		900900SP
		Flow Control Stem	--
		Flow Control Stem Nut	--
		Flow control Stem O-Ring	--
12	Diaphragm Assembly	Filter Sentry	676901SP
13	Diaphragm Assembly	Purple Reclaimed	676902SP
14	Diaphragm Support Ring		365900SP
15	Valve Body		--
16	Filter Sentry Tag (10-Pack)		700392SP
17	Purple Reclaimed ID Tag (10-Pack)		LIT-700



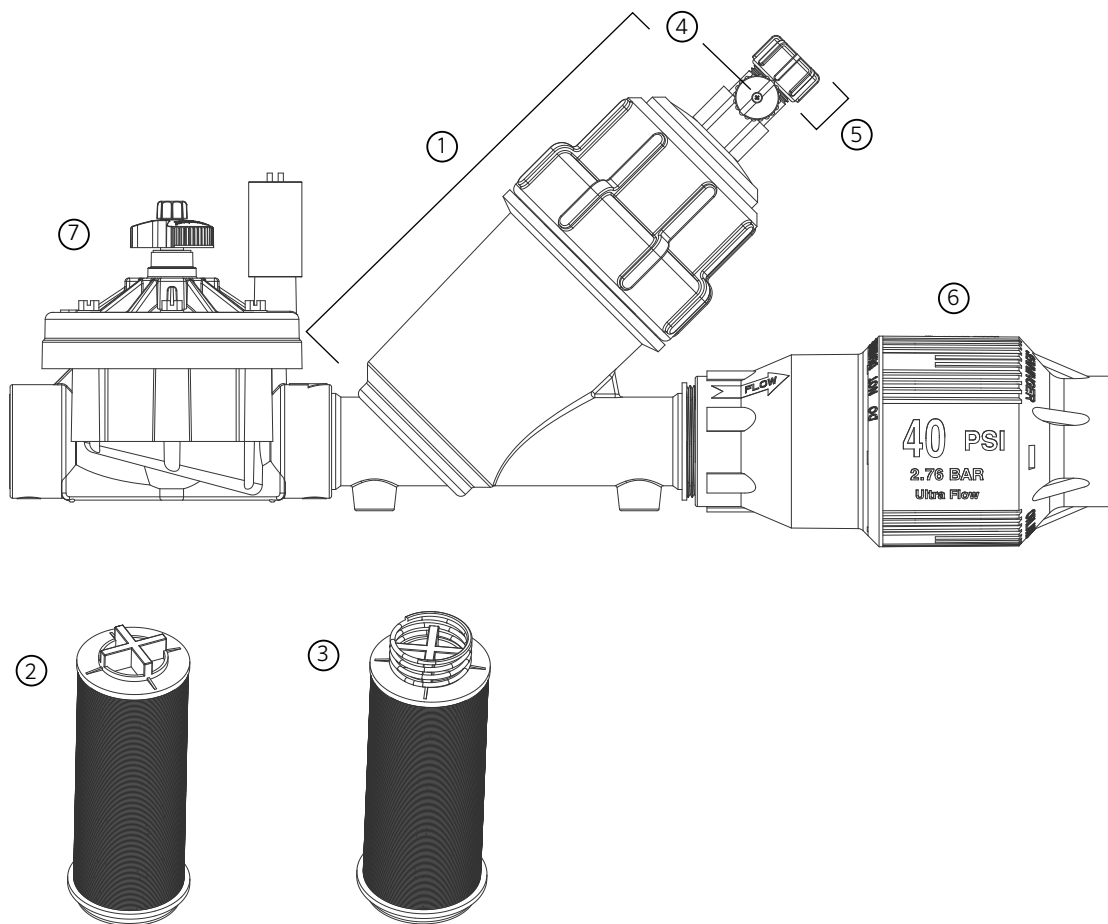
IBV-301G: BRASS VALVE

ITEM	DESCRIPTION		CATALOG NO.
1	Solenoid Assembly (Includes Parts 2 & 3)	AC Solenoid	606800
		DC Latching Solenoid	458200
2	Solenoid O-Ring		262600
3	Solenoid Seal		364400
4	Bonnet Assembly (Includes Parts 5-7, 10)		901700SP
5	Bleed Screw (10-Pack)		902000SP
6	Flow Control Knob	Standard	899600SP
		Purple Reclaimed	899605SP
7	Bonnet		--
8	Bonnet Bolts		669000
9	Diaphragm Spring		518000SP
10	Flow Control Stem Assembly (Includes Parts 12-14)	Flow Control Stem	--
		Flow Control Stem Nut	--
		Flow Control Stem O-Ring	--
11	Diaphragm Assembly	Filter Sentry	518905
12	Diaphragm Support Ring		514600
13	Valve body		--
14	Filter Sentry Tag (10-Pack)		700392SP
15	Purple Reclaimed ID Tag (10-Pack)		LIT-700



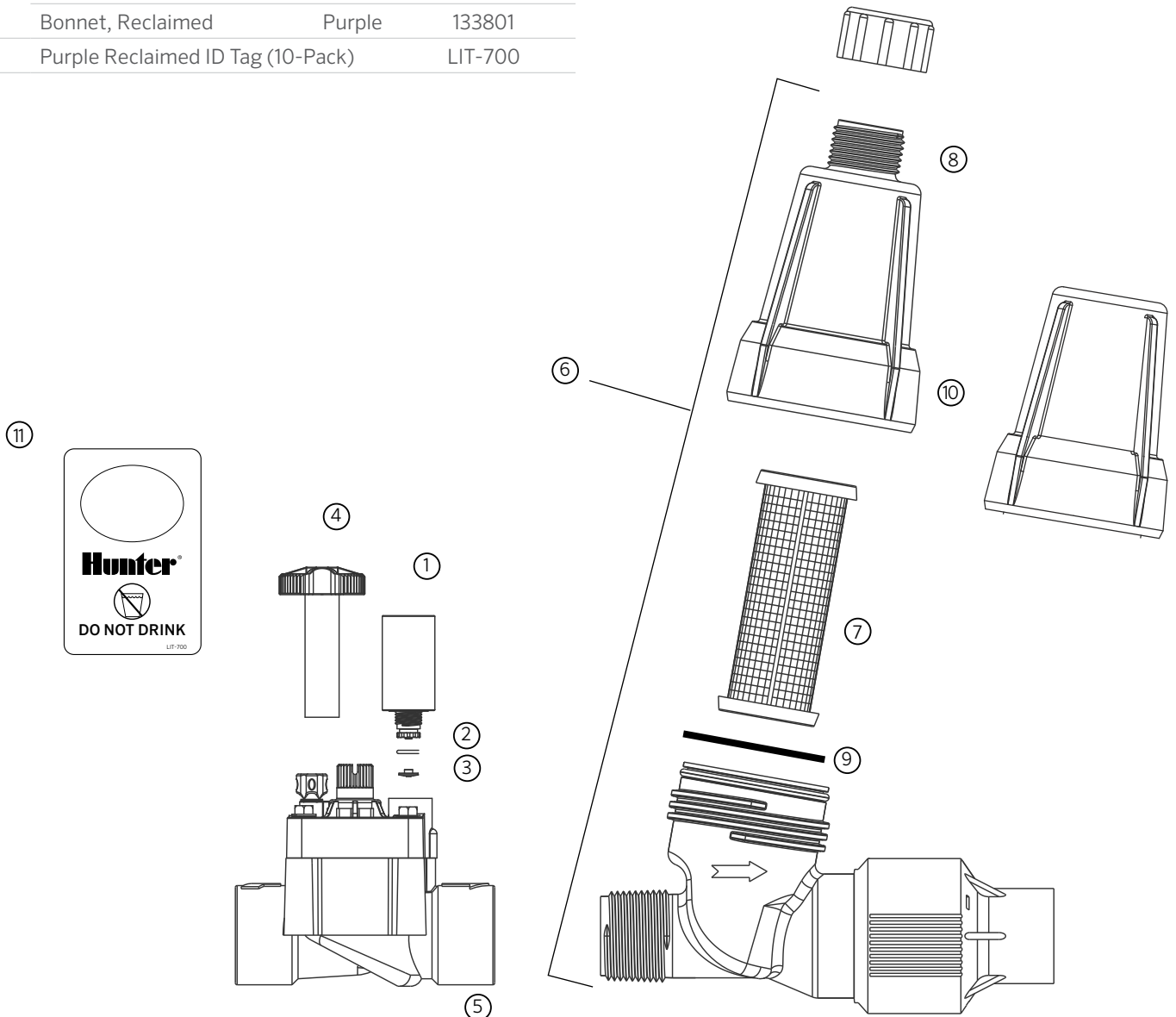
ICZ-151: DRIP CONTROL ZONE KIT

ITEM	DESCRIPTION	CATALOG NO.
1	Filter Assembly with 150 Mesh SS Screen	HY-151
	Spare - Stainless Steel Screen 150 Mesh (Standard)	HY151SCREEN150
2	Spare - Stainless Steel Screen 120 Mesh	HY151SCREEN120
	Spare - Stainless Steel Screen 80 Mesh	HY151SCREEN080
3	Spare - Disc 125 Micron (120 Mesh)	HY151DISC120
4	Flush Valve	995500SP
5	Flush Cap with O-Ring	651900
6	Senninger 2" (50 mm) Inlet/Outlet Regulator at 40 PSI (2.8 bar; 280 kPa)	PRU-40
7	ICV-151G-FS Valve	ICV-151G-FS



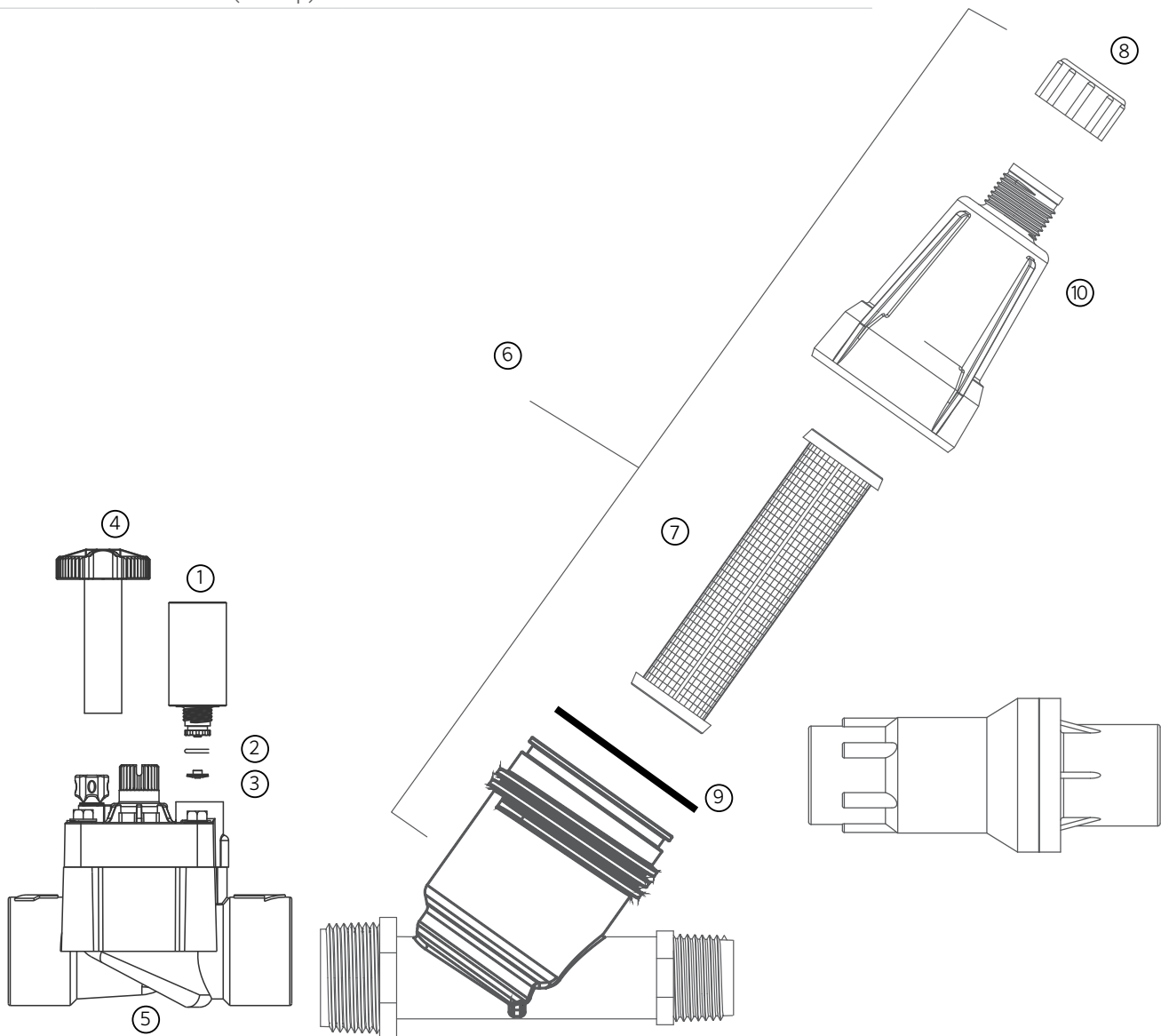
PCZ-101: DRIP CONTROL ZONE KIT

ITEM	DESCRIPTION	CATALOG NO.
1	Solenoid Assembly (Includes Parts 2 & 3)	AC Solenoid 606800
		DC Latching Solenoid 458200
2	O-Ring	262600
3	Solenoid Seal	364400
4	Handle Flow Control	269200
5	PGV-101G Valve	PGV101G
6	Filter/Regulator Assembly	HFR-100-075-25
		HFR-100-075-40
7	Stainless Steel Screen - 150 Mesh	809300SP
8	Flush Cap with O-Ring	651900
9	O-Ring for HFR-100-075	154900
10	Filter Bonnet (No Cap)	133800
	Bonnet, Reclaimed Purple	133801
11	Purple Reclaimed ID Tag (10-Pack)	LIT-700



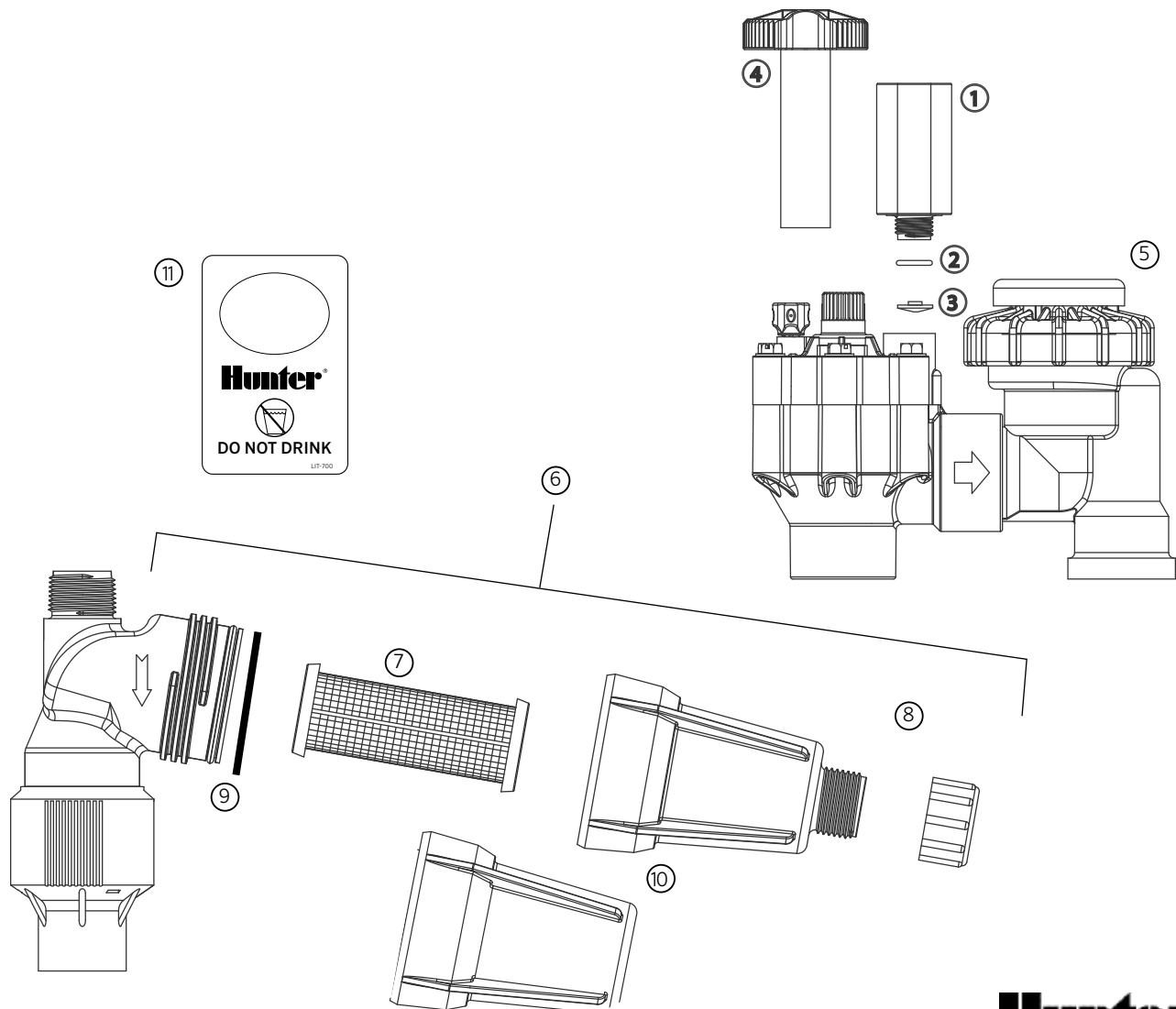
PCZ-101: DRIP CONTROL ZONE KIT (BEFORE JANUARY 2014)

ITEM	DESCRIPTION		CATALOG NO.
1	Solenoid Assembly (Includes Parts 2 & 3)	AC Solenoid	606800
		DC Latching Solenoid	458200
2	O-Ring		262600
3	Solenoid Seal		364400
4	Handle Flow Control	Black	269200
5	PGV-101G Valve		PGV-101G
6	1" (25 mm) M x 3/4" (20 mm) M NPT Wye Filter Assembly		HY-100-075-XX (XX is 25 or 40 PSI; 1.7 or 2.8 bar; 170 or 280 kPa)
7	Stainless Steel Screen	150 Mesh	606200SP
8	Flush Cap with O-Ring		651900
9	O-Ring for HY-100		154900
10	Filter Bonnet (No Cap)	Black	133800



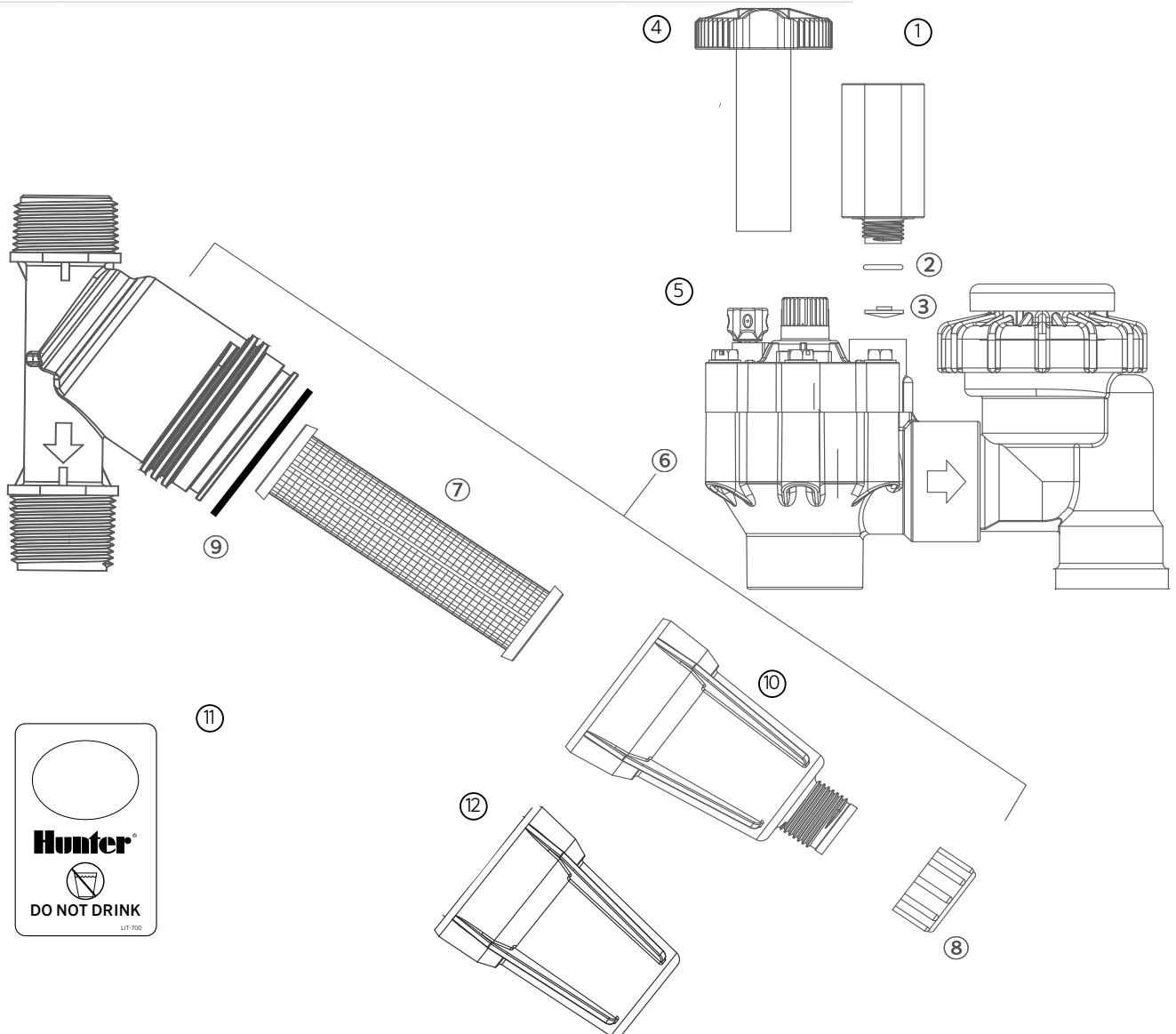
ACZ-075: DRIP CONTROL ZONE KIT

ITEM	DESCRIPTION		CATALOG NO.
1	Solenoid Assembly (Includes Parts 2 & 3)	AC Solenoid	606800
		DC Latching Solenoid	458200
2	O-Ring		262600
3	Solenoid Seal		364400
4	Handle Flow Control	Black	269200
5	¾" (20 mm) PGV-ASV Valve		PGV-075-ASV
6	Filter/Regulator Assembly	25 PSI (1.7 Bar; 172 kPa)	HFR-075-25
		40 PSI (2.8 Bar; 276 kPa)	HFR-075-40
7	Stainless Steel Screen	150 Mesh	809300SP
8	Flush Cap with O-Ring		651900
9	O-Ring for HFR-075		154900
10	Filter Bonnet (No Cap)	Black	133800
		Bonnet, Filter, Reclaimed	Purple
11	Purple Reclaimed ID Tag	(10-Pack)	LIT-700



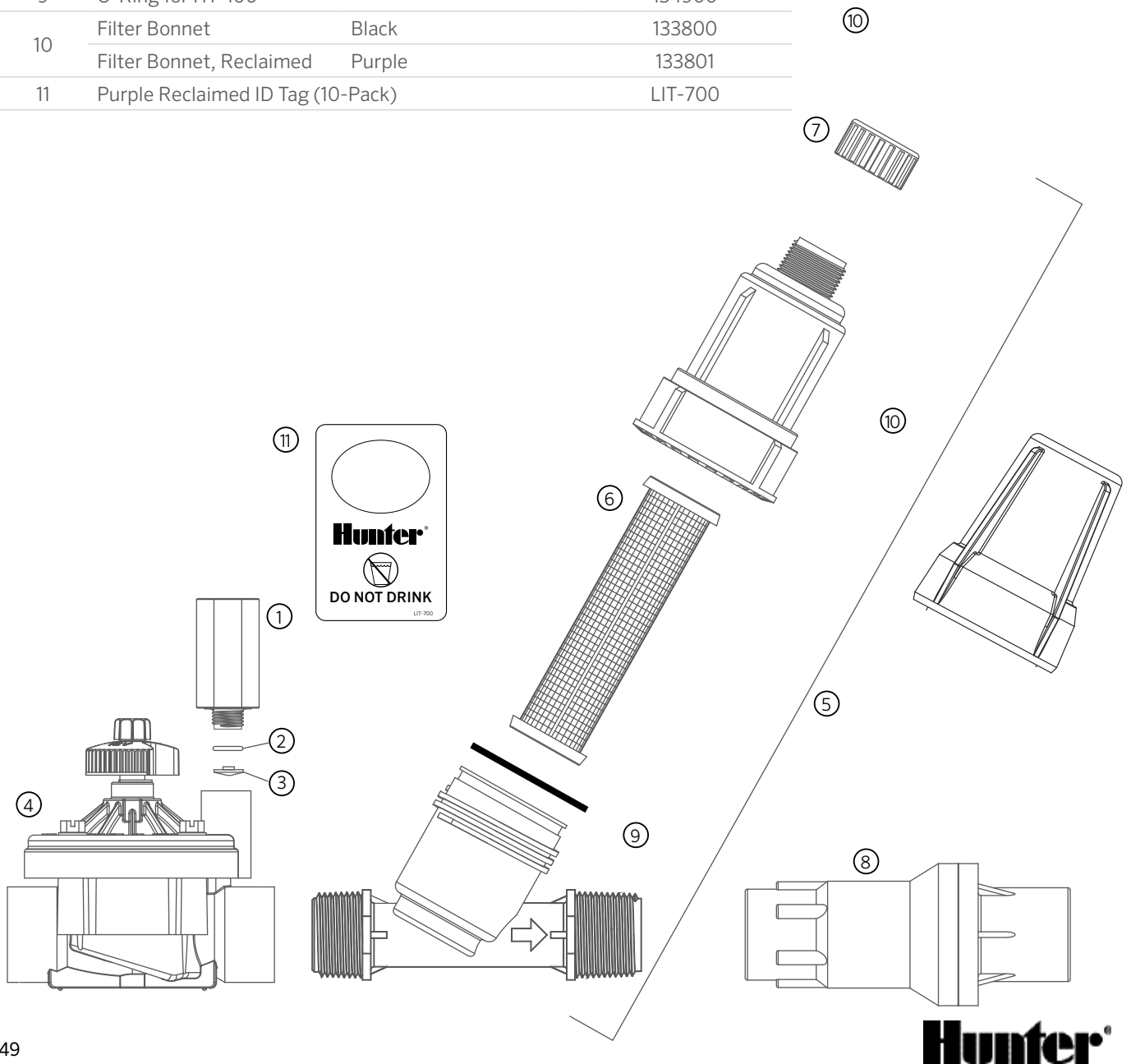
ACZ-075: DRIP CONTROL ZONE KIT (BEFORE JANUARY 2014)

ITEM	DESCRIPTION		CATALOG NO.
1	Solenoid Assembly (Includes Parts 2 & 3)	AC Solenoid	434100
		DC Latching Solenoid	458200
2	O-Ring		262600
3	Solenoid Seal		364400
4	Handle Flow Control	Black	269200
5	¾" (20 mm) PGV-ASV Valve		PGV-075-ASV
6	¾" (20 mm) M x ¾" (20 mm) M NPT Wye Filter Assembly		HY-075
7	Stainless Steel Screen	150 Mesh	606200
8	Flush Cap with O-Ring		651900
9	O-Ring for HY-100		154900
10	Filter Bonnet (No Cap)	Black	133800
11	Purple Reclaimed ID Tag		LIT-700
12	Bonnet, Filter, Reclaimed	Purple	133801



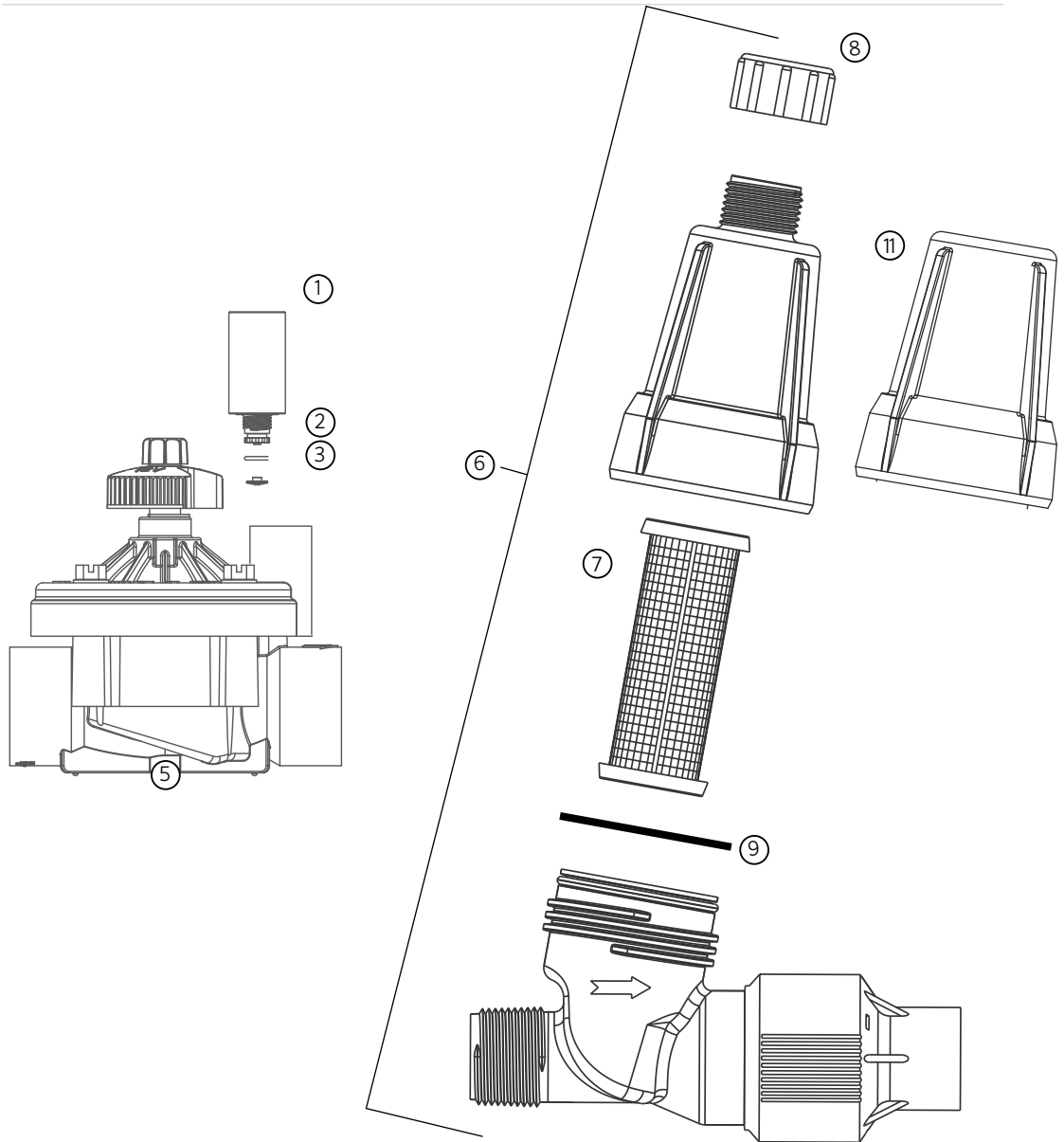
ICZ-101: DRIP CONTROL ZONE KIT

ITEM	DESCRIPTION		CATALOG NO.
1	Solenoid Assembly (Includes Parts 2 & 3)	AC Solenoid	606800
		DC Latching Solenoid	458200
2	O-Ring		262600
3	Solenoid Seal		364400
4	ICV-101G-FS Valve		ICV-101G-FS
5	1" (25 mm) M x 1" (25 mm) M NPT Wye Filter Assembly		HY-100
6	Stainless Steel Screen	150 Mesh	606200SP
7	Flush Cap with O-Ring		651900
8	1" (25 mm) F x 1" (25 mm) F NPT Pressure Regulator	25 PSI (1.7 bar; 170 kPa)	606000
		40 PSI (2.8 bar; 280 kPa)	652100
9	O-Ring for HY-100		154900
10	Filter Bonnet	Black	133800
	Filter Bonnet, Reclaimed	Purple	133801
11	Purple Reclaimed ID Tag (10-Pack)		LIT-700



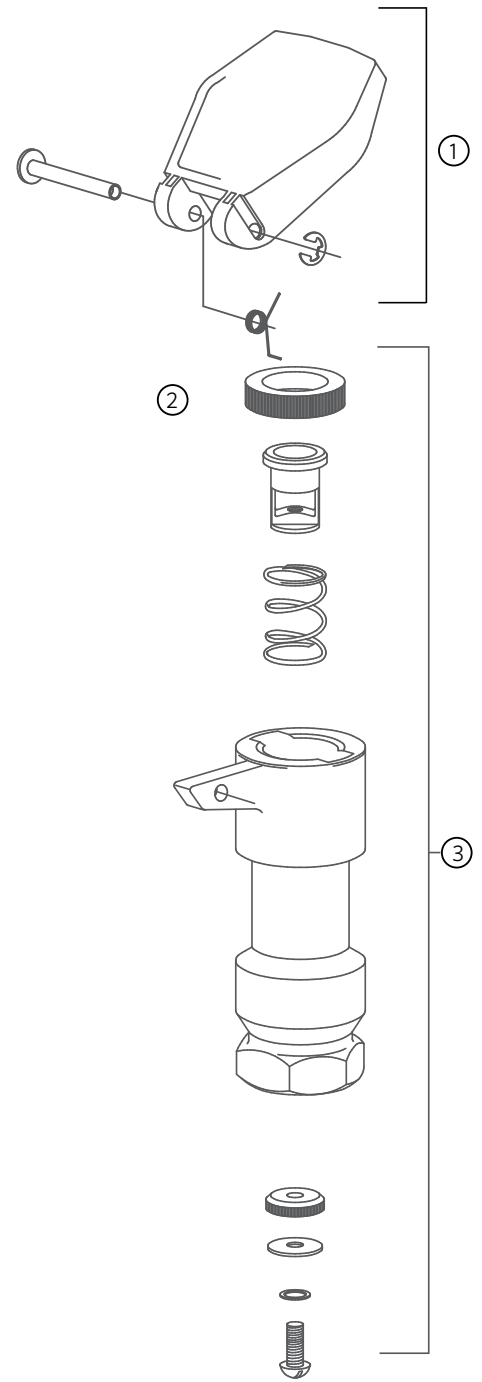
ICZ-101-LF: DRIP CONTROL ZONE KIT

ITEM	DESCRIPTION		CATALOG NO.
1	Solenoid Assembly (Includes Parts 2 & 3)	AC Solenoid	606800
		DC Latching Solenoid	458200
2	O-Ring		262600
3	Solenoid Seal		364400
5	ICV-101G Valve		ICV-101G
6	Filter/Regulator Assembly, 1" (25 mm) x 3/4" (20 mm)		HFR-100-075-XX (XX is 25 or 40 PSI; 1.7 or 2.8 bar; 170 or 280 kPa)
7	Stainless Steel Screen	150 Mesh	809300SP
8	Flush Cap with O-Ring		651900
9	O-Ring for HFR-100-075		154900
10	Filter Bonnet (No Cap)	Black	133800
11	Bonnet, Filter, Reclaimed	Purple	133801



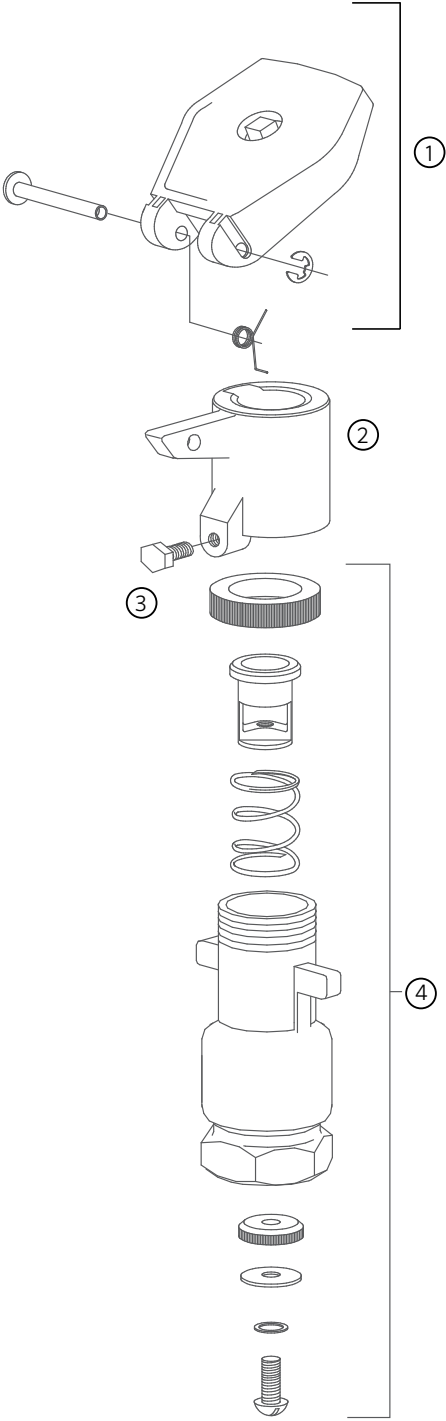
HQ3RC: QUICK COUPLER VALVE

ITEM	DESCRIPTION	CATALOG NO.
1	Cover Kit - Yellow Non-Locking	150700
2	Upper Seal Kit (25 Seals)	103600
3	Complete Seal Kit (Does not Include Brass Body)	149500



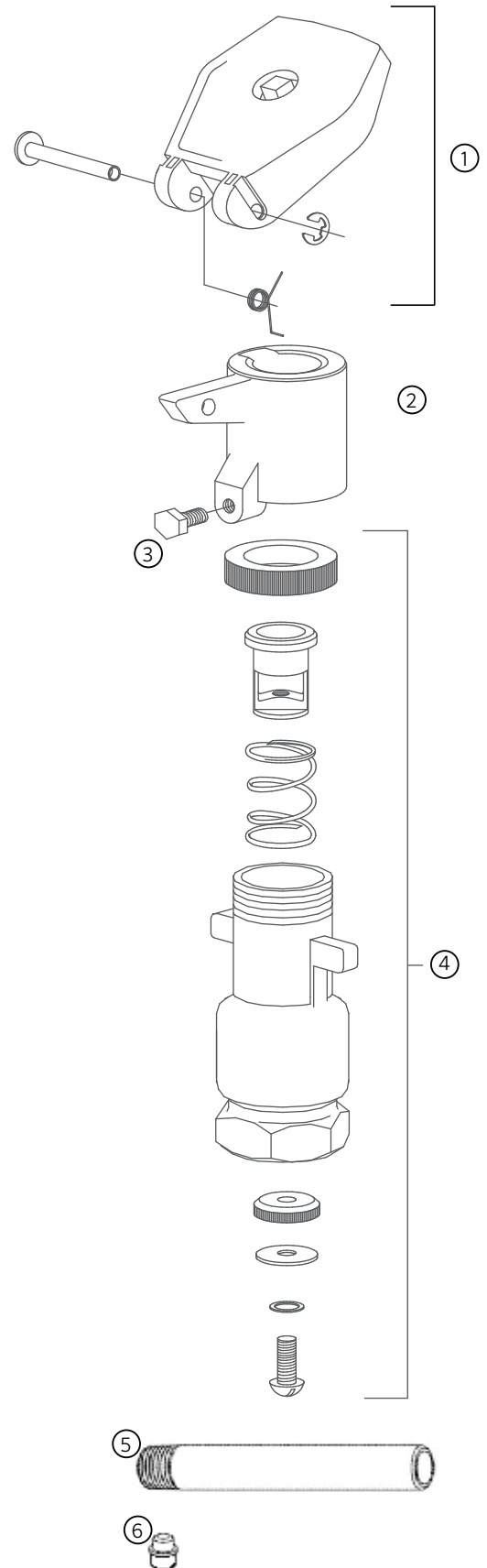
HQ33RC, HQ33LRC, HQ33LRCR: QUICK COUPLER VALVE

ITEM	DESCRIPTION	CATALOG NO.
1	Cover Kit	Yellow Non-Locking 150700
		Yellow Locking 158300
		Purple Locking 168000
2	Brass Upper Body Kit	169500
3	Upper Seal Kit (25 Seals)	168100
4	Complete Seal Kit (Does not Include Brass Body)	168200



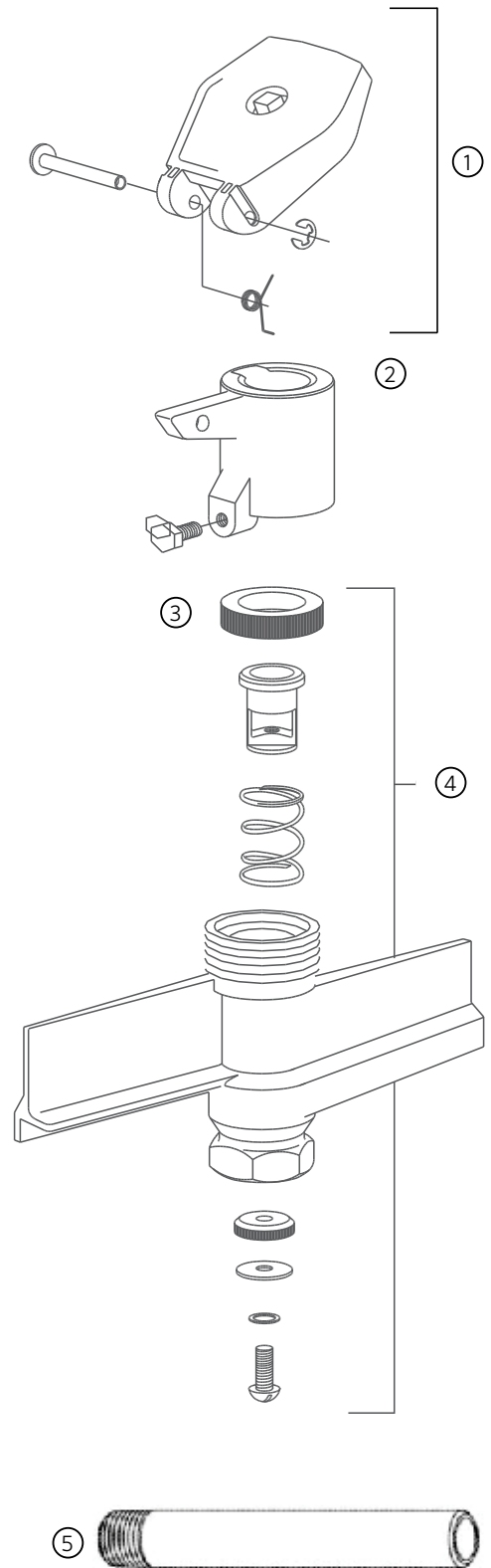
HQ44RC, HQ44LRC, HQ44LRCR: QUICK COUPLER VALVE

ITEM	DESCRIPTION	CATALOG NO.	
1	Cover Kit	Yellow Non-Locking	168300
		Yellow Locking	168400
		Purple Locking	168500
2	Brass Upper Body Kit	169600	
3	Upper Seal (25 Seals)	168600	
4	Complete Seal Kit (Does not Include Brass Body)	168700	
5	Handle - for HK44 Key (Includes 10 Handles)	169200	
6	Lug - for HK44 Key (Includes 10 Each)	169400	



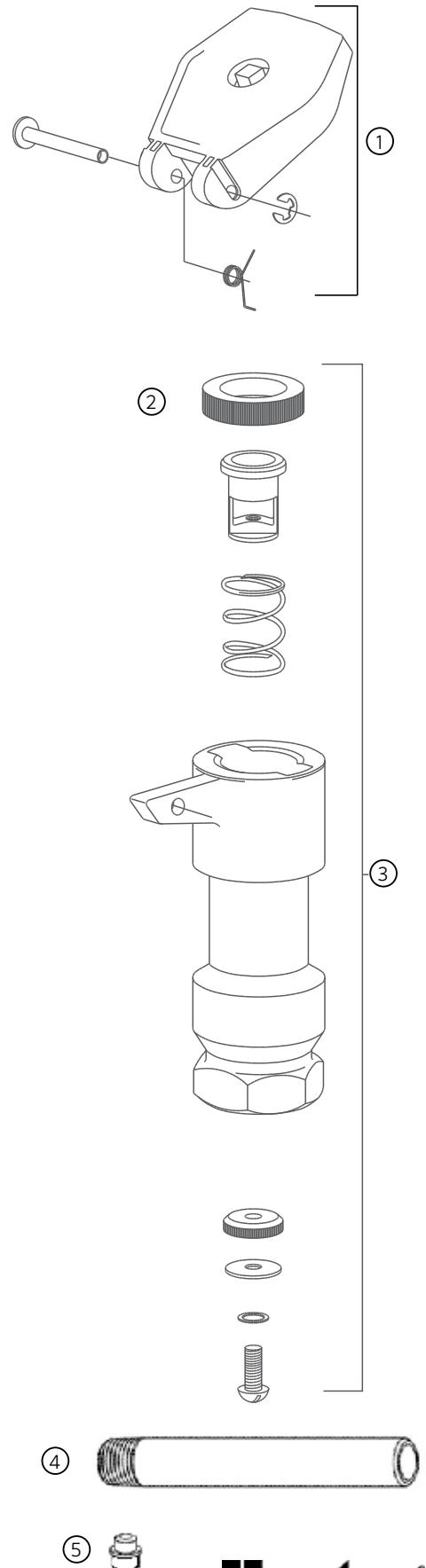
HQ44RCAW, HQ44LRCAW, HQ44LRCAWR: QUICK COUPLER VALVE

ITEM	DESCRIPTION	CATALOG NO.
1	Cover Kit	Yellow Non-Locking 168300
		Yellow Locking 168400
		Purple Locking 168500
2	Brass Upper Body Kit	169700
3	Upper Seal (25 Seals)	168600
4	Complete Seal Kit (Does not Include Brass Body)	168700
5	Handle - for HK44 Key (Includes 10 Handles)	169200



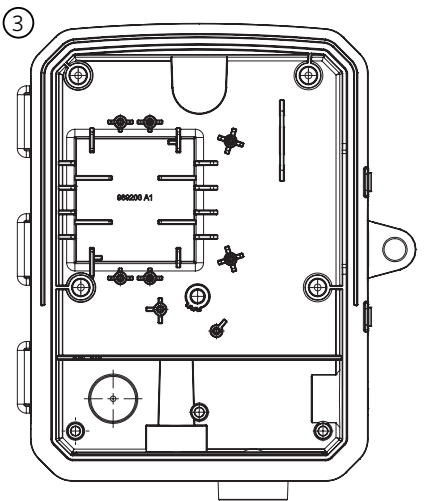
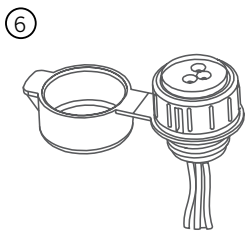
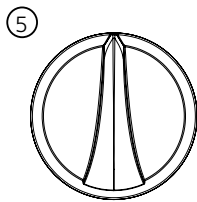
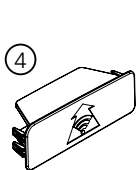
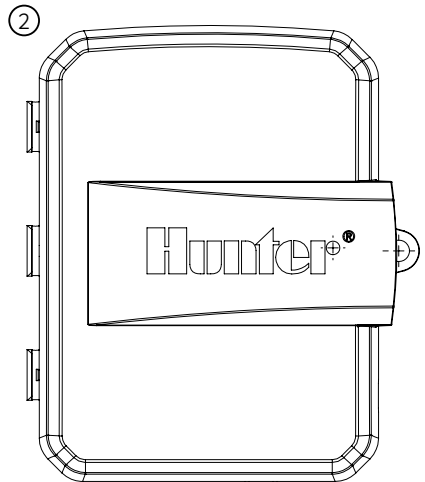
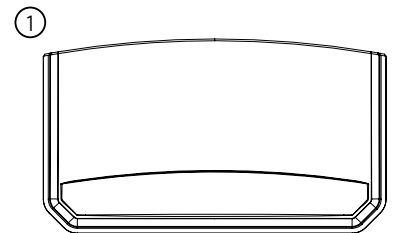
HQ5RC, HQ5LRC, HQ5LRCR: QUICK COUPLER VALVE

ITEM	DESCRIPTION	CATALOG NO.	
1	Cover Kit	Yellow Non-Locking	168300
		Yellow Locking	168800
		Purple Locking	168900
2	Upper Seal (25 Seals)	169000	
3	Complete Seal Kit (Does not Include Brass Body)	169100	
4	Handle - for HK55 Key (Includes 10 Handles)	169300	
5	Lug - for HK55 Key (Includes 10 Each)	169400	



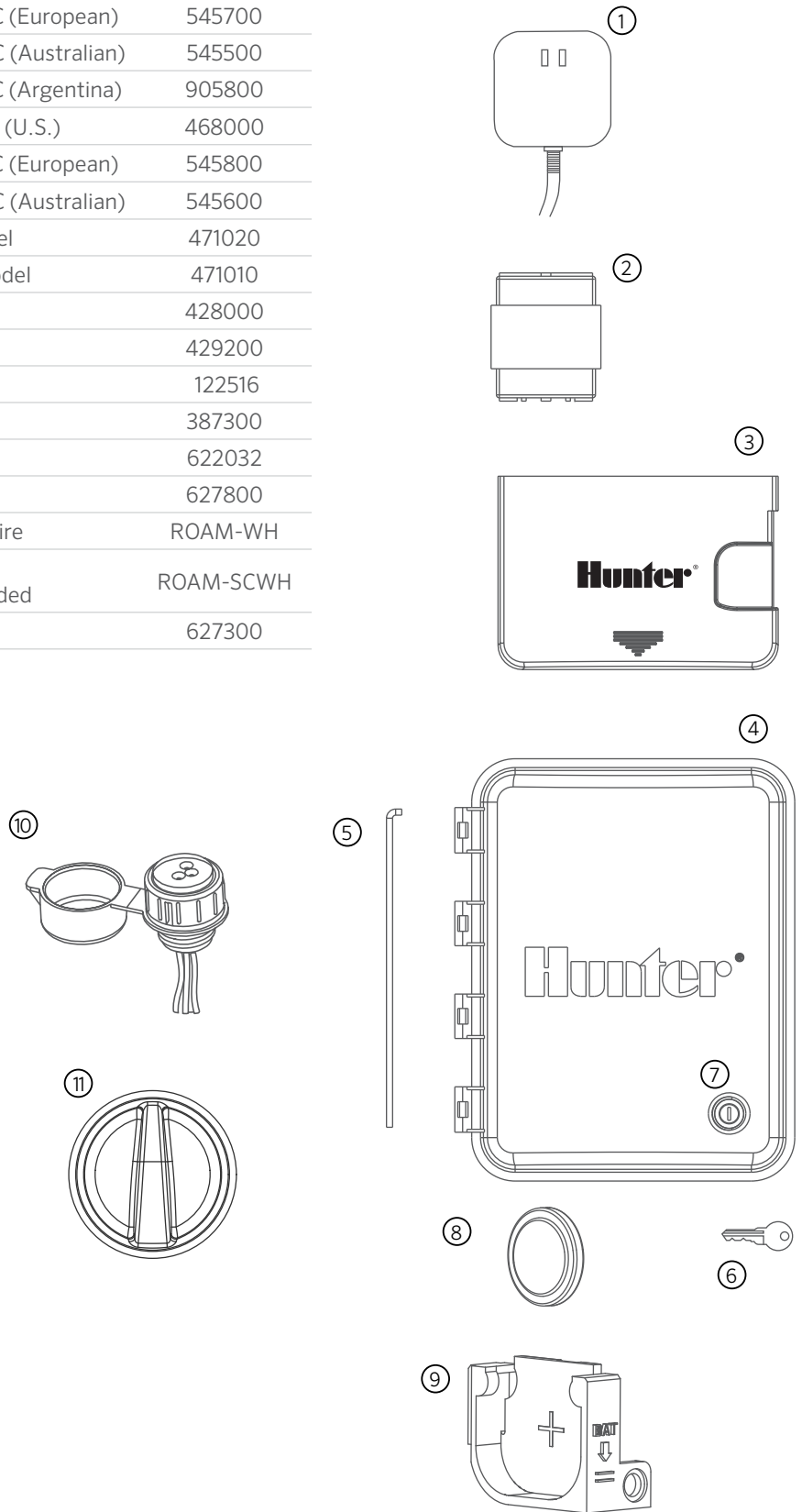
X2™: WI-FI CAPABLE OUTDOOR MOUNT CONTROLLER

ITEM	DESCRIPTION	CATALOG NO.	
1	Terminal Cover	989000SP	
2	Front Door	989100SP	
3	Rear Plastic Enclosure	989200SP	
4	Wi-Fi Cover	990200SP	
5	Dial	990300SP	
6	SmartPort®	6' (1.8m) Wire	ROAM-WH
	Wiring Harness	25' (7.6 m) Wire - Shielded	ROAM-SCWH



X-CORE®: INDOOR/OUTDOOR MOUNT CONTROLLER

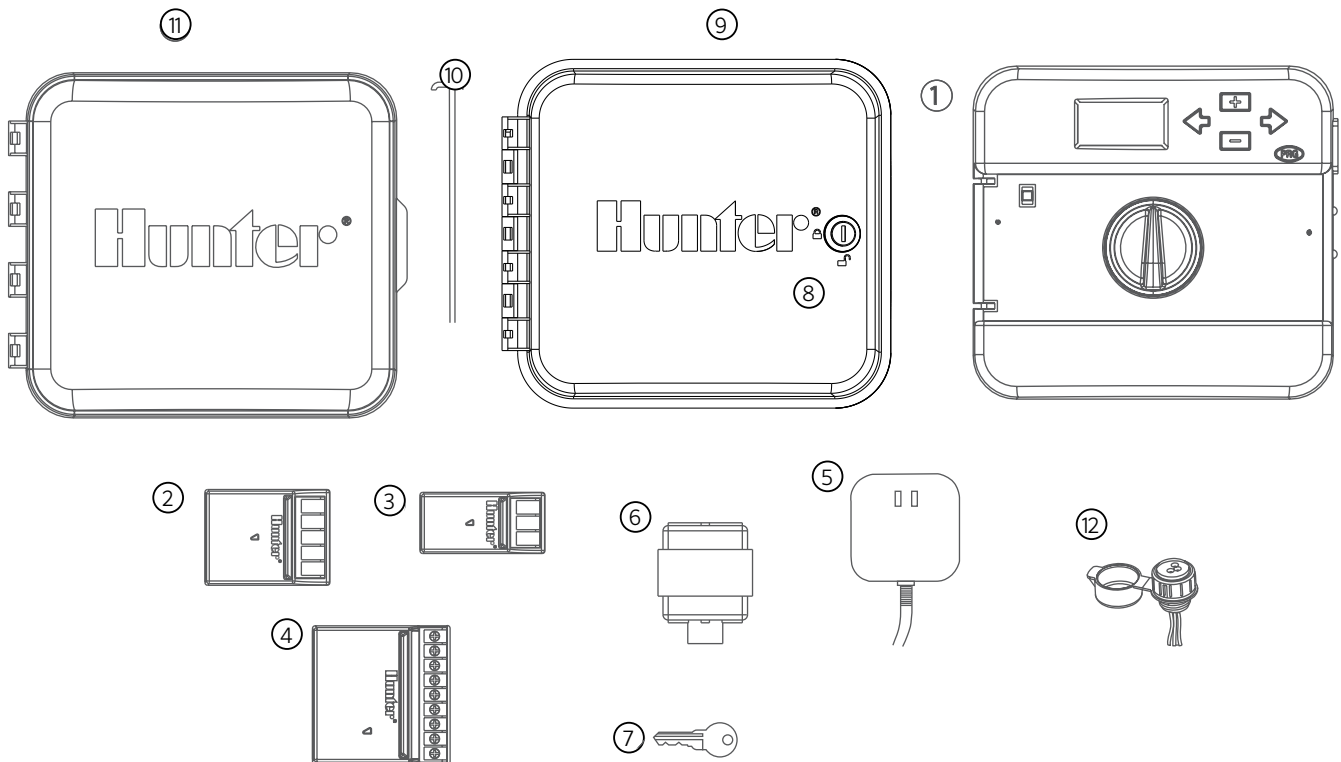
ITEM	DESCRIPTION	CATALOG NO.	
1	Indoor Transformer	120/24 VAC (U.S.)	526500
		230/24 VAC (European)	545700
		240/24 VAC (Australian)	545500
		230/24 VAC (Argentina)	905800
2	Outdoor Transformer	120/24 VAC (U.S.)	468000
		230/24 VAC (European)	545800
		240/24 VAC (Australian)	545600
3	Access Door	Indoor Model	471020
		Outdoor Model	471010
4	Front Door	428000	
5	Front Door Hinge Pin	429200	
6	Key Set (2)	122516	
7	Lock & Key Set	387300	
8	3-Volt Lithium Battery (CR2032)	622032	
9	Battery Holder	627800	
10	SmartPort® Wiring Harness	6' (1.8 m) Wire	ROAM-WH
		25' (7.6 m) Wire - Shielded	ROAM-SCWH
11	Dial	627300	



PRO-C® AND PCC: INDOOR/OUTDOOR MOUNT CONTROLLER

ITEM	DESCRIPTION	CATALOG NO.	
1	Front Panel - Old Pro-C 300*	526200	
1	Front Panel - New Pro-C 400	821501	
2	Main Module - Old Pro-C 3-Station (Black)	466500	
2	Main Module - New Pro-C 4-Station (Gray)	820200	
	Ribbon Cable	819900	
3	3-Station Expansion Module	PCM-300	
4	9-Station Expansion Module	PCM-900	
5	Indoor Transformer	120/24 VAC (U.S.)	526500
		230/24 VAC (European)	545700
		240/24 VAC (Australian)	545500
6	Outdoor Transformer	120/24 VAC (U.S.)	468000
		230/24 VAC (European)	545800
		240/24 VAC (Australian)	545600
7	Key Set (2)	122516	
8	Lock & Key Set	387300	
9	Front Door (Without Lock)	Outdoor Unit	463100
10	Front Door Hinge Pin		464400
11	Front Door	Indoor Unit	463300
12	SmartPort® Wiring Harness	6' (1.8 m) Wire	ROAM-WH
		25' (7.6 m) Wire - Shielded	ROAM-SCWH

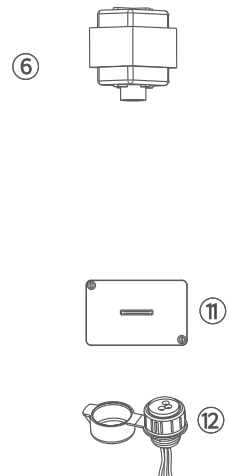
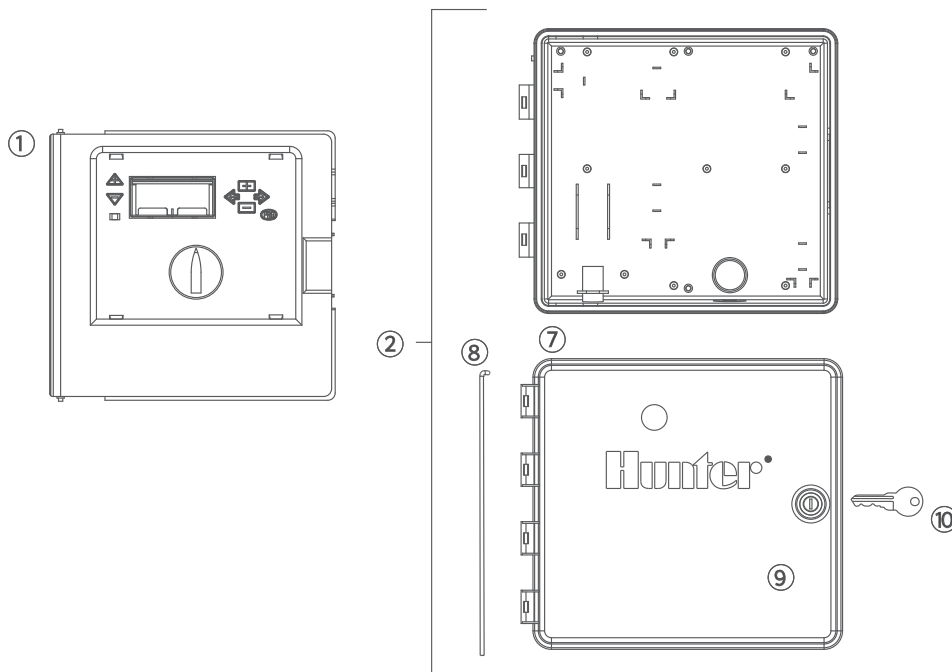
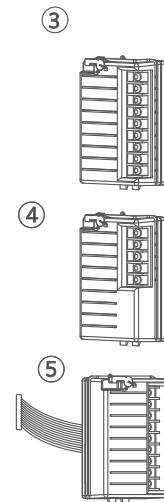
* Limited supplies available.



ICC: PLASTIC CABINET

ITEM	DESCRIPTION	CATALOG NO.	
1	Front Panel*	See Note	
2	Plastic Cabinet Assembly	631500	
3	8-Station Module	ICM-800	
4	4-Station Module	ICM-400	
5	Power Module	429800	
6	Transformer 110/220 24V 40VA (Dual Voltage)**	154628	
7	Plastic Front Door without Lock	429700	
8	Front Door Hinge Pin	374000	
9	Lock and Key Set	387300	
10	Key Set (2)	122516	
11	Junction Box Door	374200	
12	SmartPort® Wiring Harness	6' (1.8 m) Wire	ROAM-WH
		25' (7.6 m) Wire - Shielded	ROAM-SCWH
	Station ID Label	English	LIT-245
	Owner's Manual	English	LIT-237
	Hanging Card Kit	English	LIT-334
	International Documentation (Includes Owner's Manual, Door Instructions, and Faceplate Label)	Spanish	INT-321
		French	INT-322
		Italian	INT-323
		German	INT-370

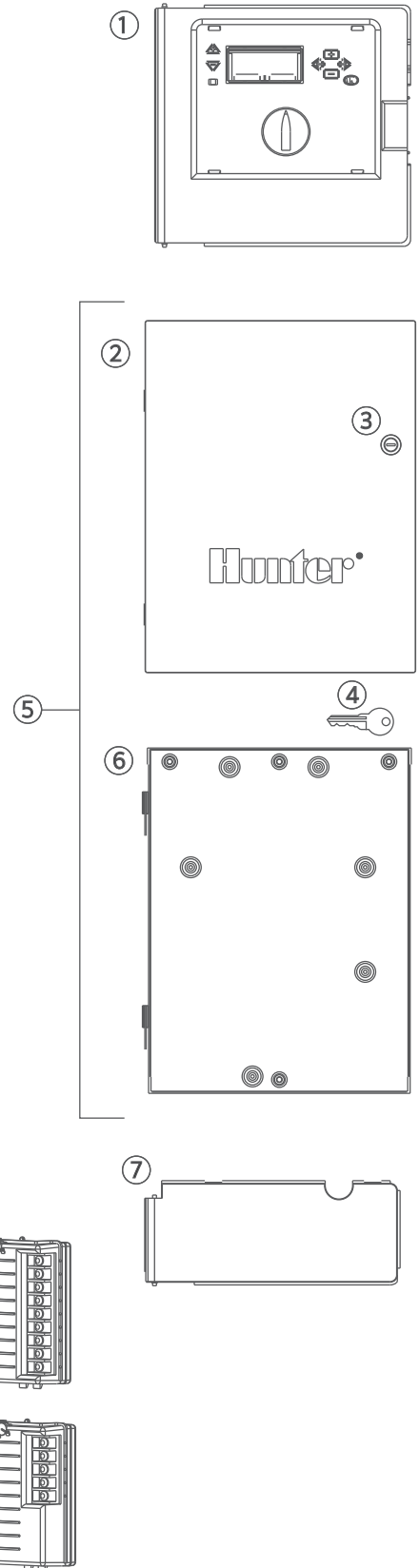
*Contact Hunter Customer Service for ICCFPUP2 replacement upgrade to ICC2 front panel kit. **Limited supplies. Contact Hunter Customer Service for replacement upgrade to 981700.



ICC: METAL CABINET

ITEM	DESCRIPTION		CATALOG NO.
1	Front Panel*		See Note
2	Metal Front Door without Lock	Powder Coated	384400
		Stainless Steel	384405
3	Lock & Key Set		387300
4	Key Set (2)		122516
5	Metal Cabinet with Door & Lock (Includes 3, 4 & 7)	Powder Coated	561700
		Stainless Steel	561800
6	Metal Cabinet without Door	Powder Coated	384300
		Stainless Steel	384305
7	Bottom Door		384200
8	8-Station Module		ICM-800
9	4-Station Module		ICM-400
10	Transformer 110/220 24V 40VA (Dual Voltage)		154628
11	Power Module		429800
12	Junction Box Door		374200
	Inside Door Label	English	LIT-290
	Station ID Label	English	LIT-245
	Owner's Manual	English	LIT-237
	Hanging Door Card	English	LIT-334
	International Documentation (Includes Owner's Manual, Door Instructions, and Faceplate Label)	Spanish	INT-321
		French	INT-322
		Italian	INT-323
	Pedestal for Metal Wall-Mount	Gray	ICC-PED
		Stainless Steel	ICC-PED-SS
	Pedestal Wiring Board for Metal Pedestals (Optional)		ICC-PWB

*Contact Hunter Customer Service for ICCFPUP2 replacement upgrade to ICC2 front panel kit.



ICC PLASTIC PEDESTAL

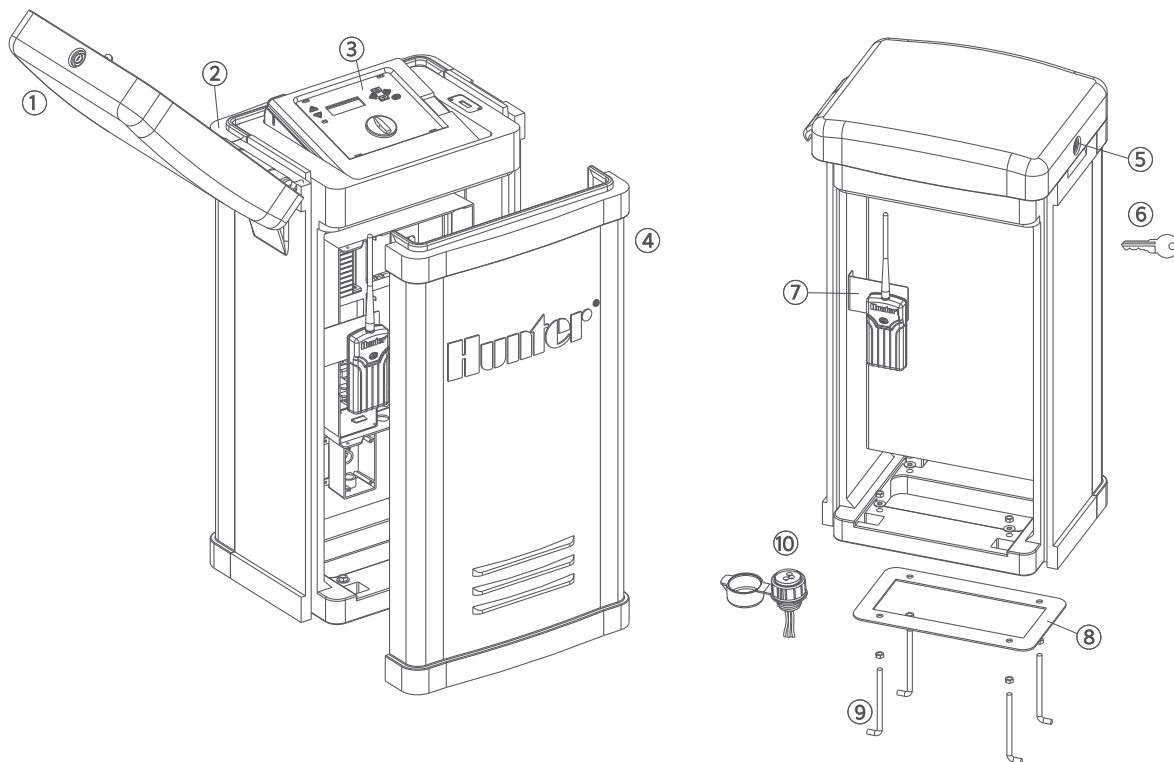
Beginning in 2017, plastic pedestals for all controllers changed to a new design. Models affected include the original ICC, I-Core®, and ACC controllers. (Note: ACC2, ICC2, and HCC controllers have only been offered with the new design.)

Parts for the new design are not interchangeable with the older design. Before ordering replacement parts, be sure to correctly identify which pedestal you have. While all plastic parts between the two pedestals are different, the easiest way to determine what style you have is to look at the door design:

- Old style: Air vents are located only on the bottom of the door (below the Hunter logo).
- New style: Air vents are located on the top and bottom of the door (above and below the Hunter logo).

ITEM	DESCRIPTION	CATALOG NO.	
1	Lid	**553300	
2	Hinge Pin	558400	
3	ICC Front Panel*	See Note	
4	Access Door	**553200	
5	Lock & Key Set	558000	
6	Key Set (2)	122516	
7	SmartPort® Bracket	576000	
8	Mounting Template	558600	
9	Mounting Hardware	420200	
10	SmartPort Wiring Harness	6' (1.8 m) Wire	ROAM-WH
		25' (7.6 m) Wire - Shielded	ROAM-SCWH
	Ribbon Cable Extension (Not Shown)	574600	
	Mounting Kit (Includes 8 & 9)	581700	

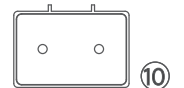
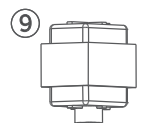
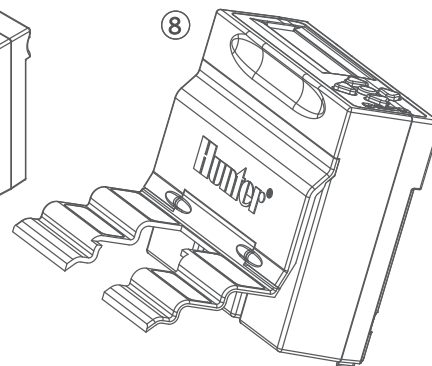
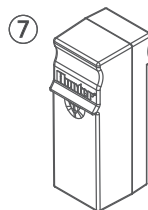
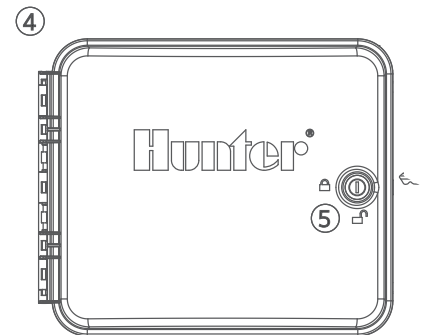
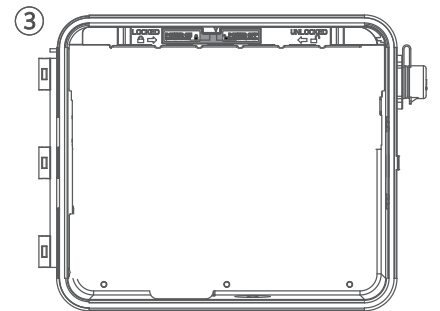
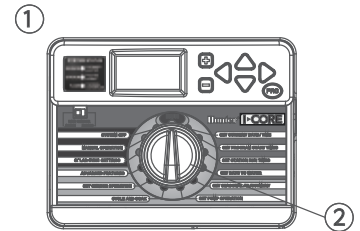
*Contact Hunter Customer Service for ICC2 front panel kit ICCFPUP2 upgrade kit. ICC2 front panel kit. **Limited availability.



I-CORE®: PLASTIC CABINET

ITEM	DESCRIPTION	CATALOG NO.	
1	Front Panel	124705	
2	Knob	129300	
3	Rear Cabinet	117805	
4	Door Without Lock, Plastic I-Core	131305	
5	Lock & Key Set	387300	
6	Key Set (2)	122516	
7	6-Station Expansion Module	ICM-600	
8	48-Station DUAL Module	DUAL48M	
9	Transformer*	154628	
10	Junction Box	123800	
11	Junction Box Cover	124000	
	Power Module (30-Station Models Only)	121405	
	Ribbon Cable, Plastic I-Core	130800	
	I-Core Mounting Template	LIT-548	
	Hanging Door Card	English	LIT-506
	Owner's Manual	English	LIT-502
		Spanish	INT-895
	International Kit (Includes Owner's Manual)	French	INT-894
		Italian	INT-896
		German	INT-898
		Portuguese	INT-897

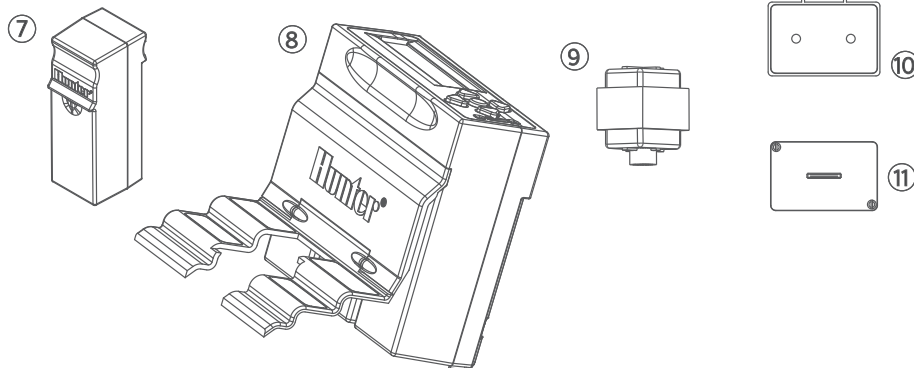
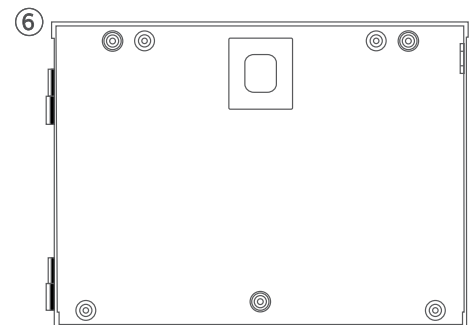
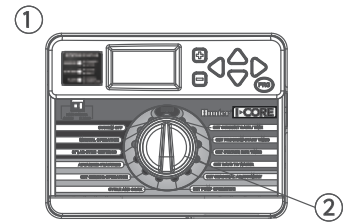
*Limited supplies. Contact Hunter Customer Service for replacement upgrade to 981700.



I-CORE: METAL CABINET

ITEM	DESCRIPTION	CATALOG NO.	
1	Front Panel	124705	
2	Knob	129300	
3	Door Without Lock, Metal I-Core	125500	
4	Lock & Key set	122516	
5	Key Set (2)	122516	
6	Rear Cabinet	118700	
7	6-Station Expansion Module	ICM-600	
8	48-Station DUAL Module	DUAL48M	
9	Transformer*	154628	
10	Junction Box	123800	
11	Junction Box Cover	124000	
	Power Module (42-Station Models Only)	141700	
	Ribbon Cable, Metal/Stainless I-Core	130810	
	I-Core Mounting Template	LIT-548	
	Hanging Door Card	English	LIT-506
	Owner's Manual	English	LIT-502
		Spanish	INT-895
		French	INT-894
	International Kit (Includes Owner's Manual)	Italian	INT-896
		German	INT-898
		Portuguese	INT-897

*Limited supplies. Contact Hunter Customer Service for replacement upgrade to 981700.



I-CORE: PLASTIC PEDESTAL

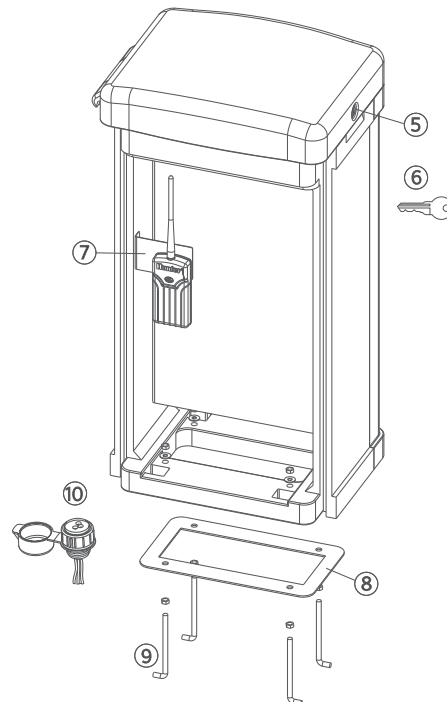
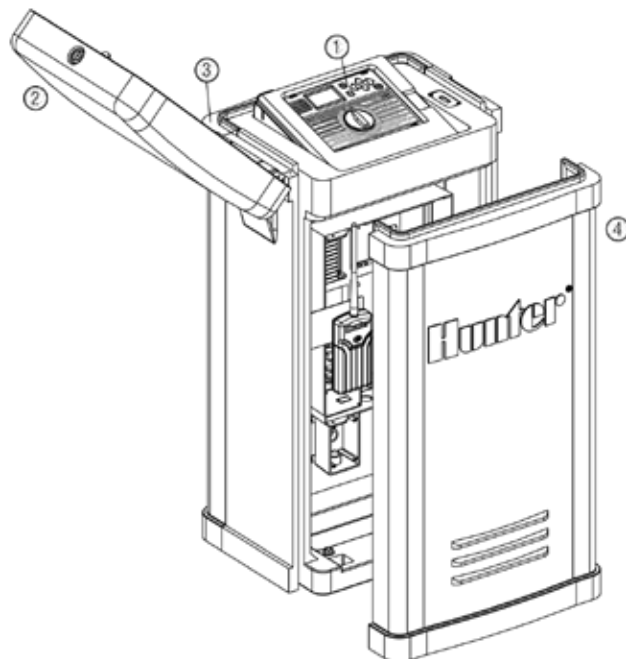
ITEM	DESCRIPTION	CATALOG NO.	
1	I-Core Front Panel	124705	
2	Lid	*552200	
3	Hinge Pin	558400	
4	Access Door	*553200	
5	Lock & Key Set	558800	
6	Key Set (2)	122516	
7	SmartPort® Bracket	576000	
8	Mounting Template	558600	
9	Mounting Hardware	420200	
10	SmartPort Wiring Harness 25' (7.6 m) Shielded Cable	ROAM-SCWH	
	Ribbon Cable - Plastic Ped I-Core	130815	
	Mounting Kit	581700	
	Owner's Manual	English	LIT-502
		Spanish	INT-895
		French	INT-894
International Kit (Includes Owner's Manual)		Italian	INT-896
		German	INT-898
		Portuguese	INT-897
	11	Pedestal Junction Box	145415

*Limited availability

Beginning in 2017, plastic pedestals for all controllers changed to a new design. Models affected include the original ICC, I-Core, and ACC controllers. (Note: ACC2, ICC2, and HCC controllers have only been offered with the new design.)

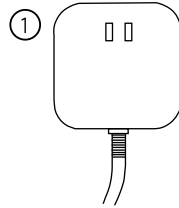
Parts for the new design are not interchangeable with the older design. Before ordering replacement parts, be sure to correctly identify which pedestal you have. While all plastic parts between the two pedestals are different, the easiest way to determine what style you have is to look at the door design:

- Old style: Air vents are located only on the bottom of the door (below the Hunter logo).
- New style: Air vents are located on the top and bottom of the door (above and below the Hunter logo).



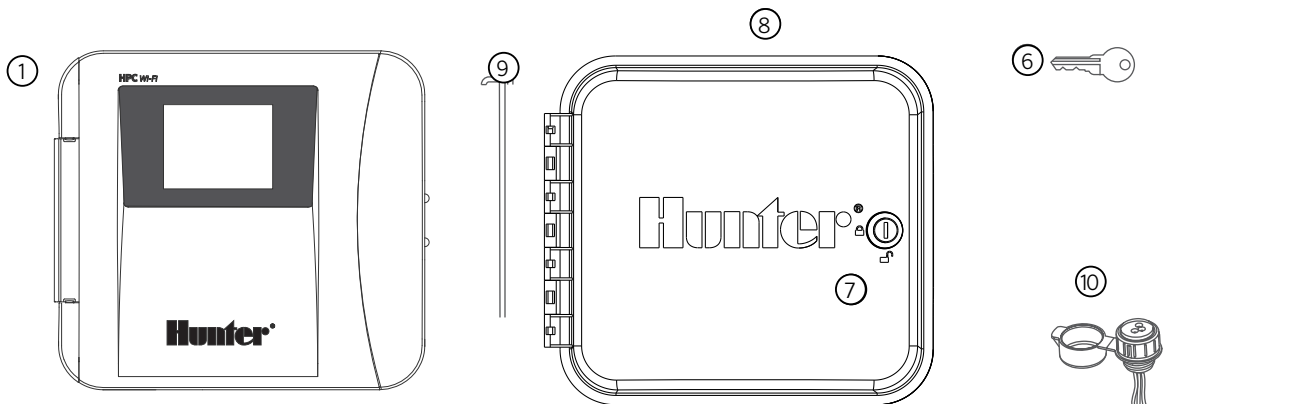
HC: WI-FI CONTROLLER

ITEM	DESCRIPTION	CATALOG NO.	
1	Indoor Transformer	120/24 VAC (U.S.)	526500
		230/24 VAC (European)	545700
		240/24 VAC (Australian)	545500



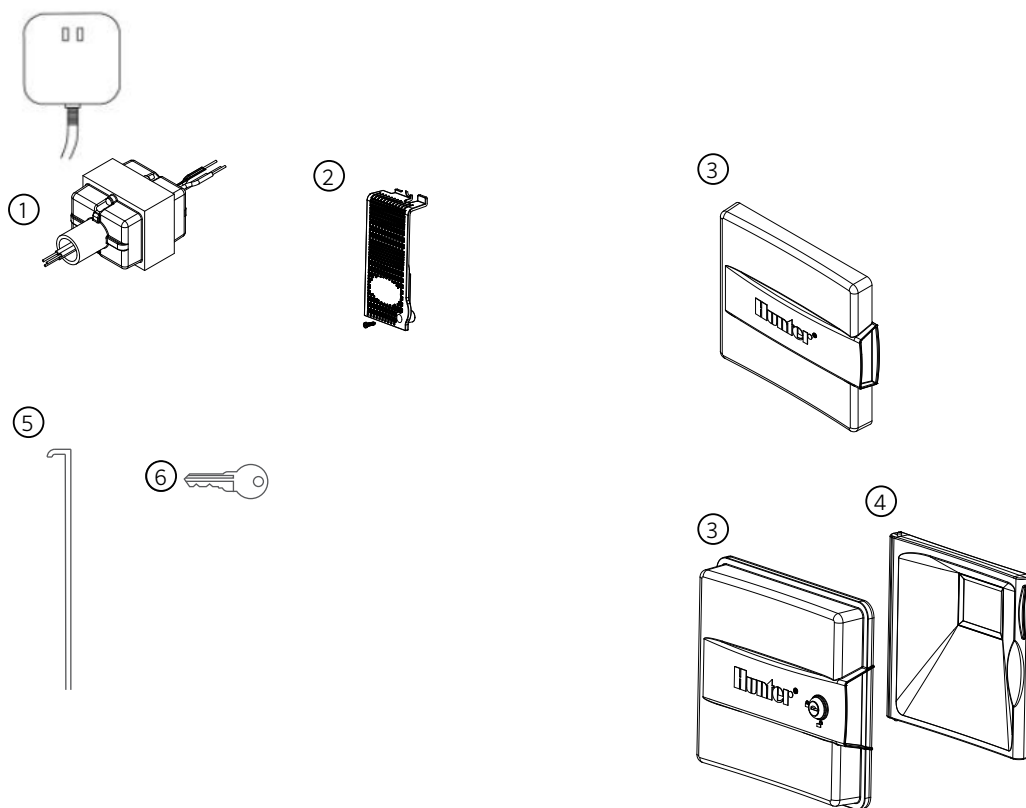
HPC: WI-FI CONTROLLER

ITEM	DESCRIPTION	CATALOG NO.	
1	HPC Front Panel	HPC-FP	
2	Main Module	820200	
	Ribbon Cable	819900	
3	3-Station Expansion Module	PCM-300	
4	9-Station Expansion Module	PCM-900	
5	Outdoor Transformer	120/24 VAC (U.S.)	468000
		230/24 VAC (European)	545800
		240/24 VAC (Australian)	545600
6	Key Set (2)	122516	
7	Lock & Key Set	387300	
8	Front Door (without Lock) - Outdoor Unit	463100	
9	Front Door Hinge Pin	464400	
10	SmartPort® Wiring Harness	6' (1.8 m) Wire	ROAM-WH
		25' (7.6 m) Wire Shielded	ROAM-SCWH



PRO-HC: WI-FI CONTROLLER

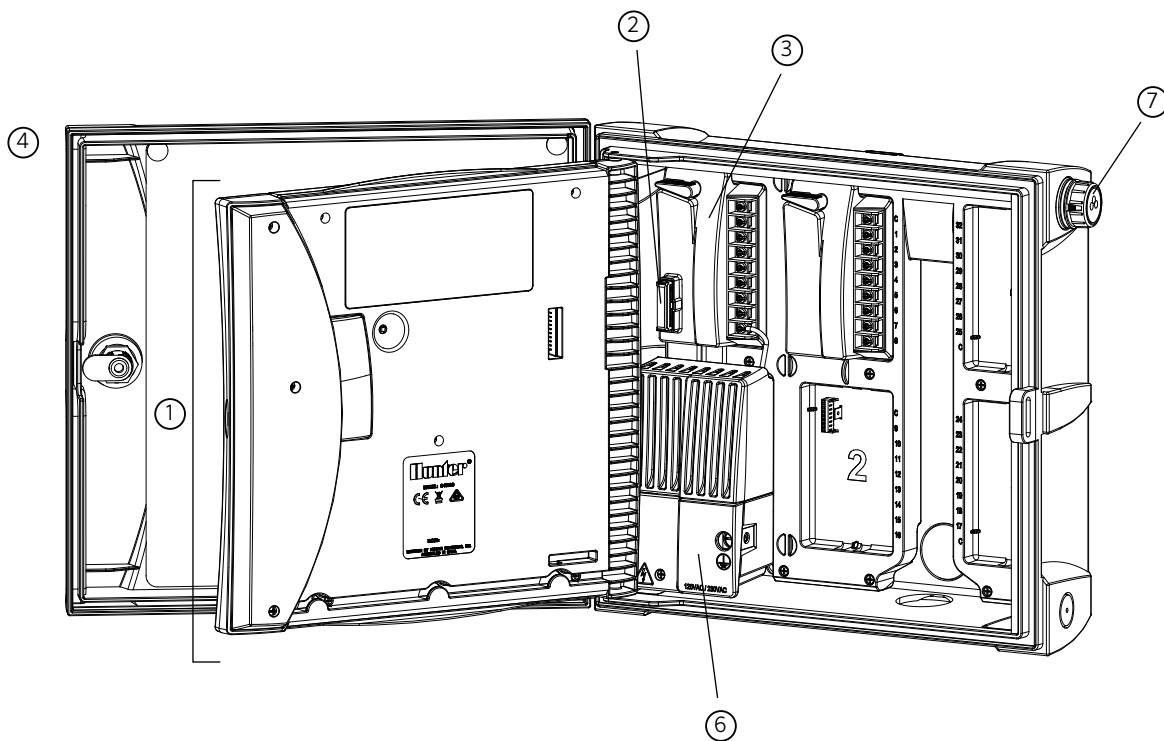
ITEM	DESCRIPTION	CATALOG NO.	
1	Indoor Transformer	120/24 VAC (U.S.)	526500
		230/24 VAC (European)	545700
		240/24 VAC (Australian)	545500
	Outdoor Transformer	120/24 VAC (U.S.)	468000
		230/24 VAC (European)	545800
		240/24 VAC (Australian)	545600
2	Junction Box Cover (Outdoor Model)	120/24 VAC (U.S.)	930301
		230/24 VAC (European, Australian)	930302
3	Front Door	(Outdoor Model)	930700
		(Indoor Model)	931400
4	Inside Panel	930400	
5	Hinge Pin	464400	
6	Key Set (2)	122516	



HCC: WI-FI CONTROLLER, PLASTIC CABINET

ITEM	DESCRIPTION	CATALOG NO.	
1	Front Panel	941500	
2	Ribbon Cable	819901	
3	Power Module	941800	
4	Front Door (with Lock)	917000	
5	Lock and Key Set	387300	
6	Transformer*	154628	
7	SmartPort	6' (1.8 m) Wire	ROAM-WH
	Wiring Harness	25' (7.6 m) Wire-Shielded	ROAM-SCWH

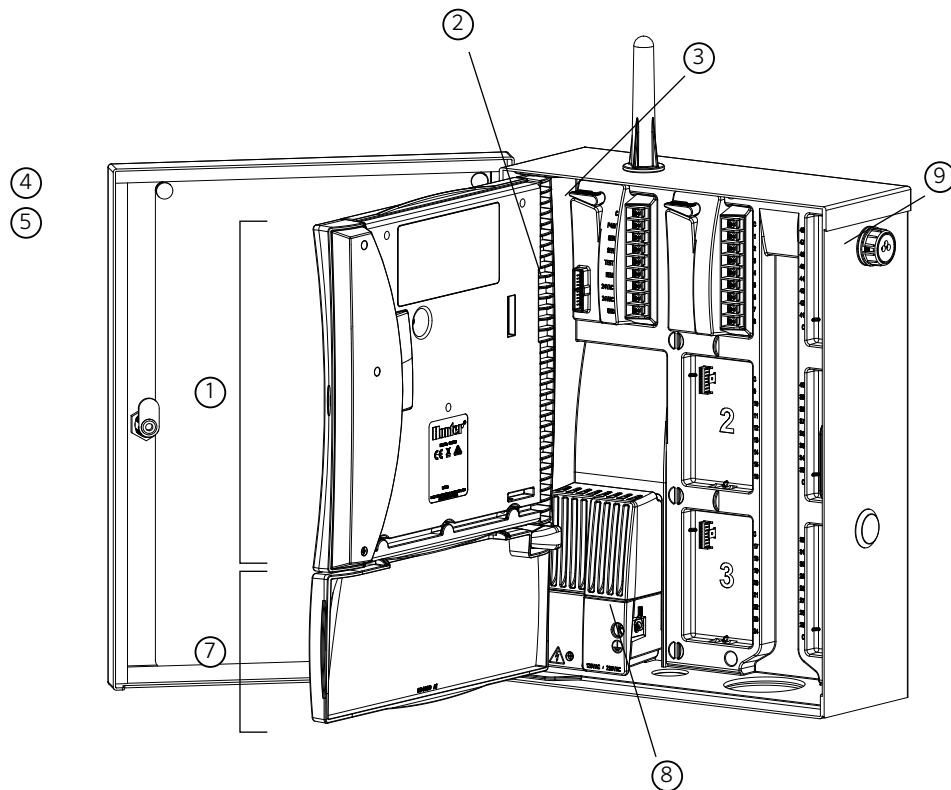
*Limited supplies. Contact Hunter Customer Service for replacement upgrade to 981700.



HCC: WI-FI CONTROLLER, METAL CABINET

ITEM	DESCRIPTION	CATALOG NO.	
1	Front Panel	941500	
2	Ribbon Cable	819901	
3	Power Module	941800	
4	Metal Front Door (with Lock)	917101	
5	Stainless Steel Front Door (with Lock)	917100	
6	Lock and Key Set	387300	
7	Inner Door	904000	
8	Transformer*	154628	
9	SmartPort	6' (1.8 m) Wire	ROAM-WH
	Wiring Harness	25' (7.6 m) Wire-Shielded	ROAM-SCWH
	Pedestal for Metal Wall-Mount - Gray	ICC-PED	
	Pedestal for Stainless Wall-Mount - SS	ICC-PED-SS	
	Pedestal Wiring Board for Metal Pedestals (Optional)	ICC-PWB	

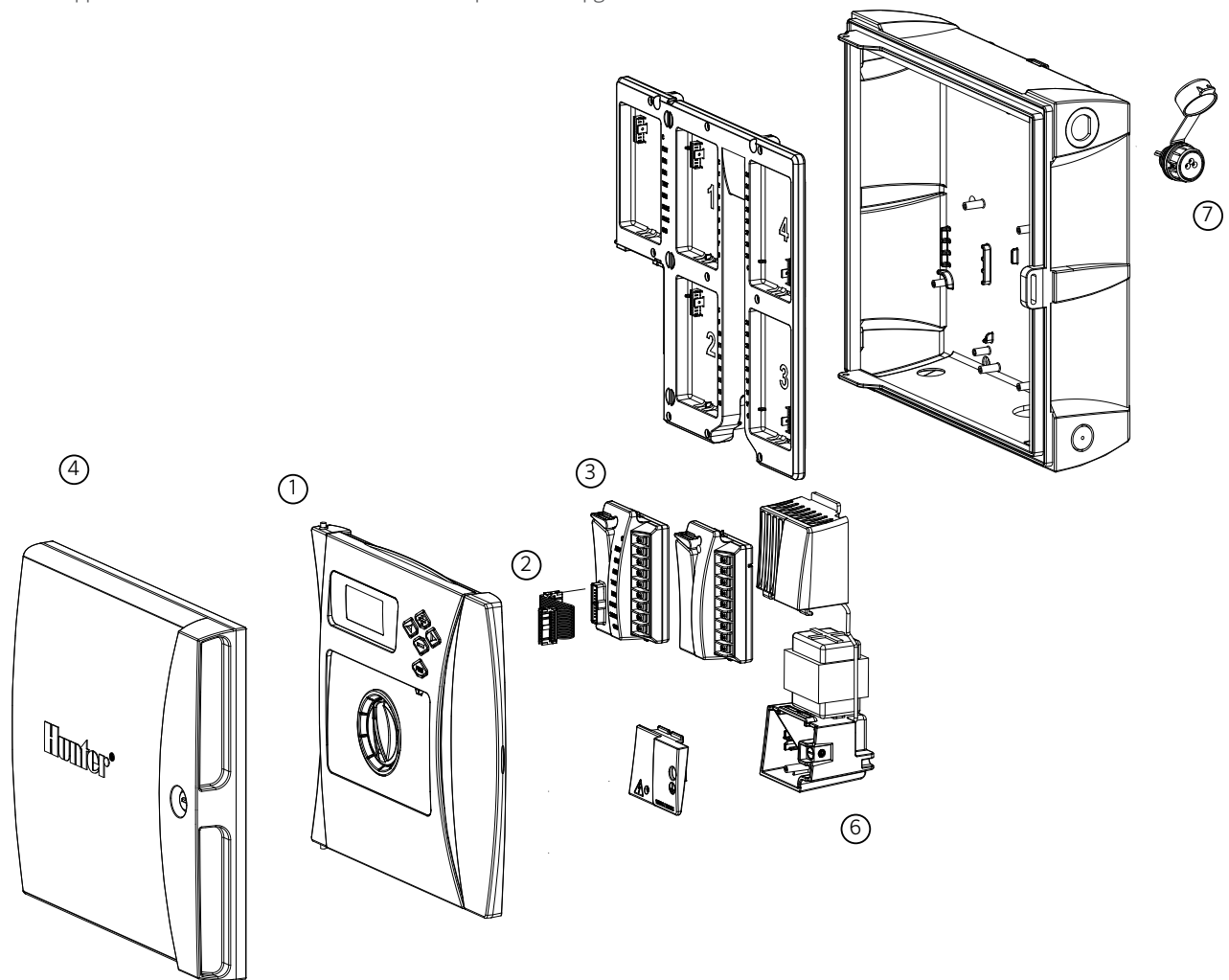
*Limited supplies. Contact Hunter Customer Service for replacement upgrade to 981700.



ICC2: PLASTIC CABINET

ITEM	DESCRIPTION	CATALOG NO.	
1	Front Panel	904700	
2	Ribbon Cable	819901	
3	Power Module	904600	
4	Front Door (with Lock)	917000	
5	Lock and Key Set	387300	
6	Transformer*	154628	
7	SmartPort	6' (1.8 m) Wire	ROAM-WH
	Wiring Harness	25' (7.6 m) Wire-Shielded	ROAM-SCWH

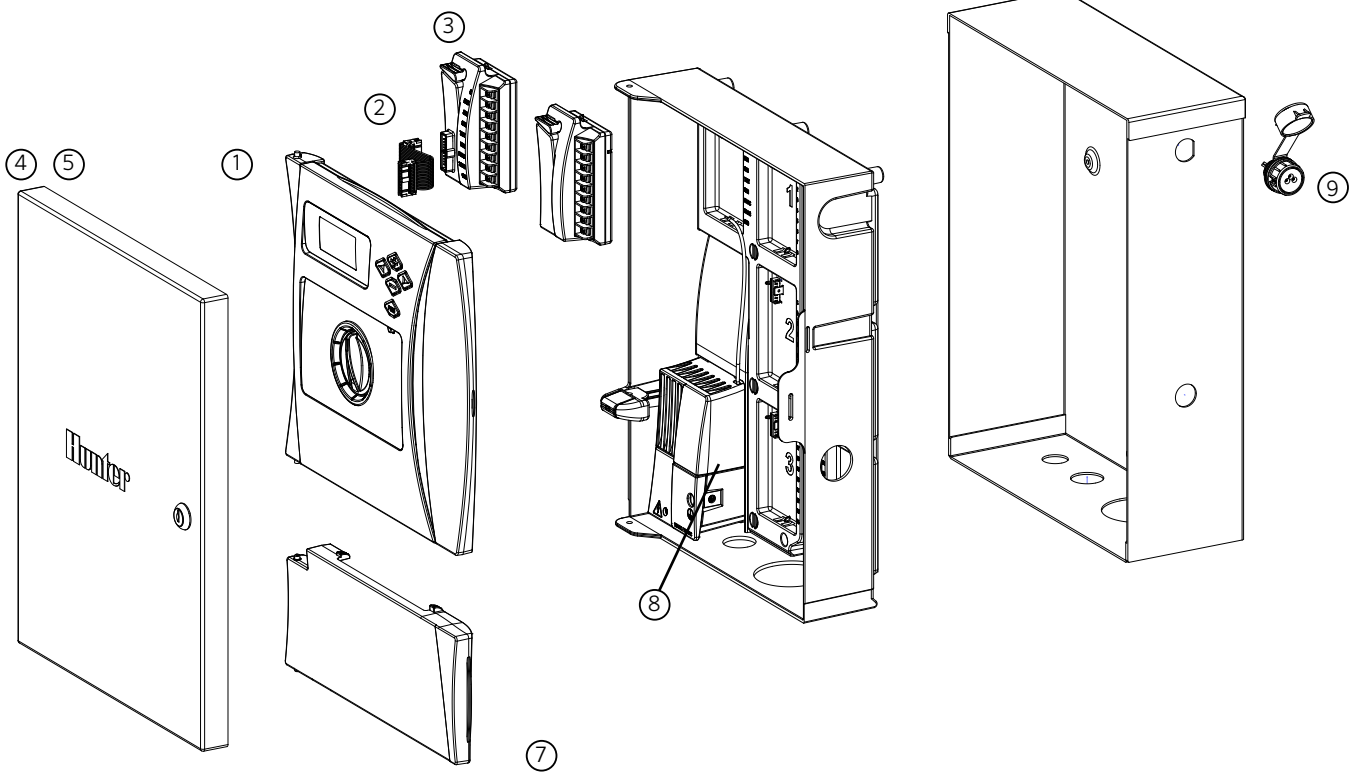
*Limited supplies. Contact Hunter Customer Service for replacement upgrade to 981700.



ICC2: METAL CABINET

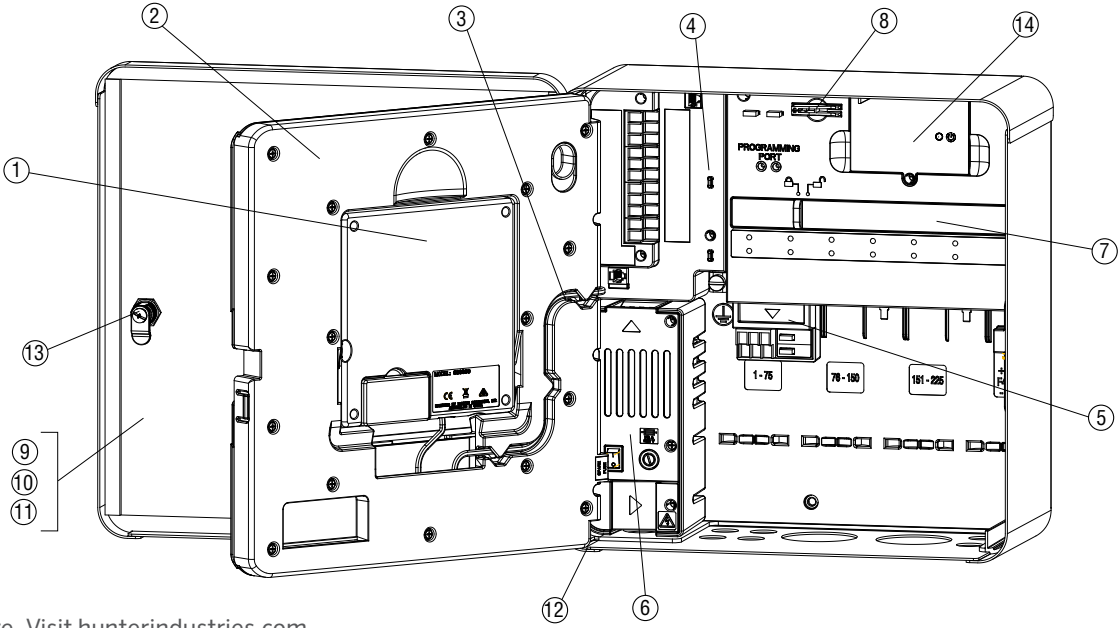
ITEM	DESCRIPTION	CATALOG NO.	
1	Front Panel	904700	
2	Ribbon Cable	819901	
3	Power Module	904600	
4	Metal Front Door (with Lock)	917101	
5	Stainless Steel Front Door (with Lock)	917100	
6	Lock and Key Set	387300	
7	Inner Door	904000	
8	Transformer*	154628	
9	SmartPort	6' (1.8 m) Wire	ROAM-WH
	Wiring Harness	25' (7.6 m) Wire-Shielded	ROAM-SCWH

*Limited supplies. Contact Hunter Customer Service for replacement upgrade to 981700.



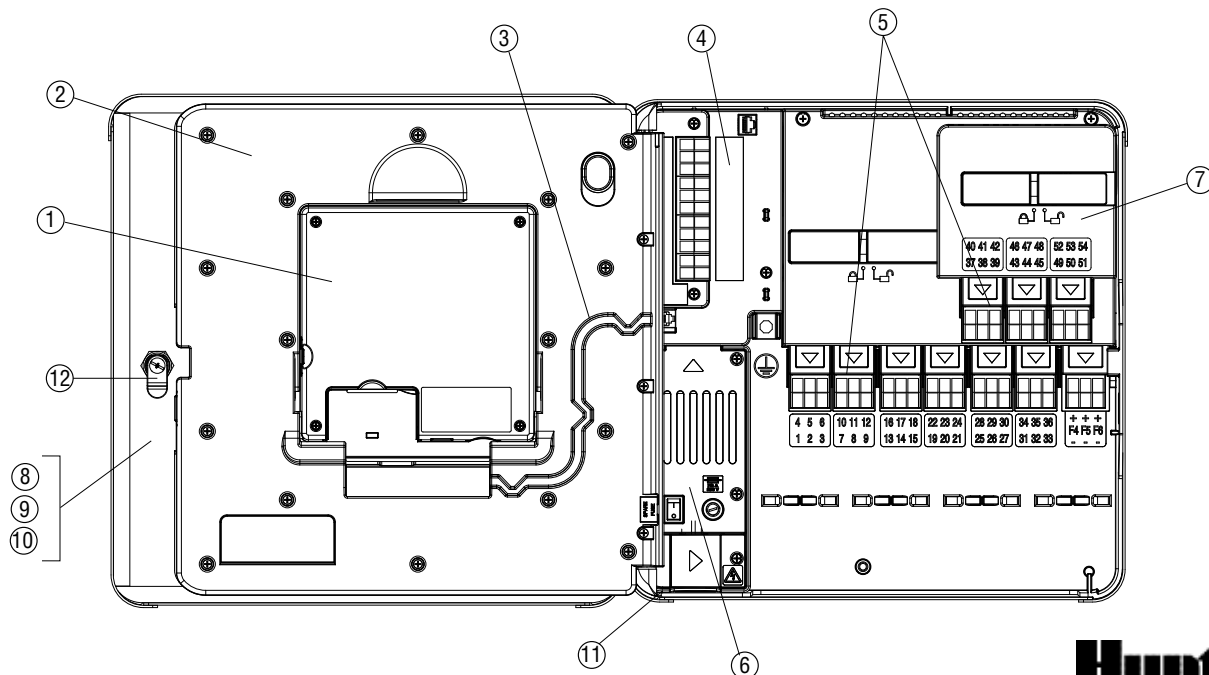
ACC2 DECODER REPLACEMENT PARTS A2C-75D-M, A2C-75D-P

ITEM	DESCRIPTION	CATALOG NO.
1	Replacement Facepack	889900
2	Facepack Door Frame	889300
3	Facepack Cable	892700
	Facepack Cable, Long (Pedestal Configurations)	892701
4	Power Supply Board	889000
5	75-Station Output Module (Decoder Version Only)	A2C-D75
6	Transformer Assembly	885600
7	Deck Assembly, Decoder (Decoder Version Only), Inc. PCU Board	884301
8	ACC2 Decoder Fuse Tool	189784
9	Gray Metal Front Door Assembly, Inc. Lock	893000
10	Stainless Front Door Assembly, Inc. Lock	893001
11	Plastic Front Door Assembly, Inc. Lock	943200
12	Hinge Pin for Plastic Door, Only	800501
13	Door Lock (751 Key)	893200
	Wall-Mount Bracket	893400
14	PCU Board (Decoder Version Only)	925200
	Replacement Transformer Fuses, 10 Pack	960300
	Hole Plug Kit (Inc. Wire Nuts, Terminal Block, etc.)	968200
	Alternative Wall-Mount Key/Lock Assembly (701 Key)	387301
	Alternative Wall-Mount Key/Lock Assembly (702 Key)	387302
	Alternative Wall-Mount Key/Lock Assembly (703 Key)	387303
	Gray Metal Pedestal for use with I-Core, ACC, and ACC2 Controllers	ACC-PED



ACC2 CONVENTIONAL REPLACEMENT PARTS (A2C-1200-M, A2C-1200-P)

ITEM	DESCRIPTION	CATALOG NO.
1	Replacement Facepack	889900
2	Facepack Door Frame	889300
3	Facepack Cable	892700
	Facepack Cable, Long (Pedestal Configurations)	892701
4	Power Supply Board	889000
5	6-Station Output Module	A2M-600
6	Transformer Assembly	885600
7	Deck Assembly, Conventional	884200
8	Gray Metal Front Door Assembly, Inc. Lock	893000
9	Stainless Front Door Assembly, Inc. Lock	893001
10	Plastic Front Door Assembly, Inc. Lock	943200
11	Hinge Pin	800501
12	Door Lock (751 Key)	893200
	Wall-Mount Bracket	893400
	Replacement Transformer Fuses, 10 Pack	960300
	Hole Plug Kit (Inc. Wire Nuts, Terminal Block, etc.)	968200
	Alternative Wall-Mount Key/Lock Assembly (701 Key)	387301
	Alternative Wall-Mount Key/Lock Assembly (702 Key)	387302
	Alternative Wall-Mount Key/Lock Assembly (703 Key)	387303
	Stainless Steel Pedestal for use with I-Core, ACC, and ACC2 Controllers	PED-SS



PLASTIC PEDESTAL (2017 TO PRESENT)

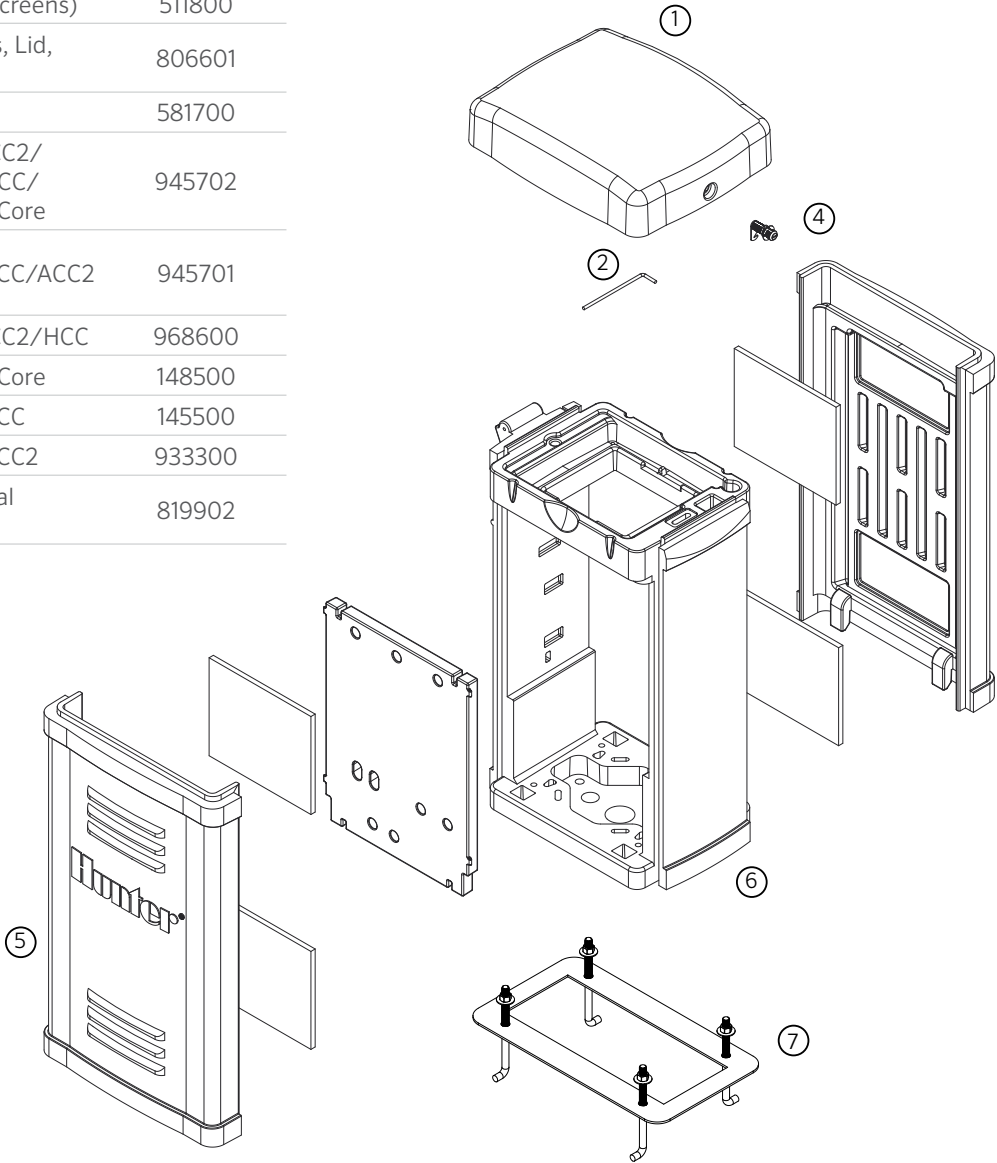
Beginning in 2017, plastic pedestals for all controllers changed to a new design. Models affected include the original ICC, I-Core, and ACC controllers. (Note: ACC2, ICC2, and HCC controllers have only been offered with the new design.)

Parts for the new design are not interchangeable with the older design. Before ordering replacement parts, be sure to correctly identify which pedestal you have. While all plastic parts between the two pedestals are different, the easiest way to determine what style you have is to look at the door design:

- Old style: Air vents are located only on the bottom of the door (below the Hunter logo).
- New style: Air vents are located on the top and bottom of the door (above and below the Hunter logo).

ITEM	DESCRIPTION	CATALOG NO.	
1	Lid Kit (inc. Key Lock)	512300	
2	Hinge Pin	558400	
3	Lock & Key Set	558000	
4	Key Set (2)	122516	
5	Access Door (inc. Foam Screens)	511800	
6	Full Pedestal Shell (Doors, Lid, Divider, etc.)	806601	
7	Mounting Template Kit	581700	
8	SmartPort Kit (Mounting Bracket, Screws, Conduit Nut, SmartPort Assembly)*	ICC2/ HCC/ I-Core	945702
		ACC/ACC2	945701
9	Facepack Adapter*	ICC2/HCC	968600
		I-Core	148500
		ACC	145500
		ACC2	933300
10	HCC/ICC2 Plastic Pedestal Ribbon Cable*	819902	

*Indicates parts not shown



ACC: PEDESTAL CONTROLLER

ITEM	DESCRIPTION	CATALOG NO.
1	Front Faceplate Face Pack (ACC)	571500
	Front Face Pack (AGC)	571505
2	Front Face Pack Door Only	620000
3	Plastic Ped Com and Radio Bracket, Including Ribbon Cable	APPBRKT
4	Frame Adapter	145500
5	Lid Including Lock	**553305
6	Lid Antenna for Ped, UHF	IMMSANT2
7	Lid Hinge Pin	558400
8	SmartPort® Bracket	576000
9	SmartPort® Wiring Harness	112210
10	Master Module	572000
11	Decoder Output Module	ADM-99
	6-Station Output Module	*A2M-600
12	Transformer Assembly	587000
13	J Box	145410
14	Pedestal Door with Screen	**553205
15	Lock & Key Set (Not shown)	558000
16	Key Set (2) (Not shown)	122516
17	ACC Ped Inner Panel Cabinet with Transformer	621230
18	Ribbon, Inner Controller to Facepack Door	585105
19	Mounting Template Kit, Includes Template #558600, and Hardware #420200	581700
20	Ribbon, Extension for Com Modules in Pedestals	619900
21	Mounting Template Only	558600
22	Mounting Hardware Only	420200

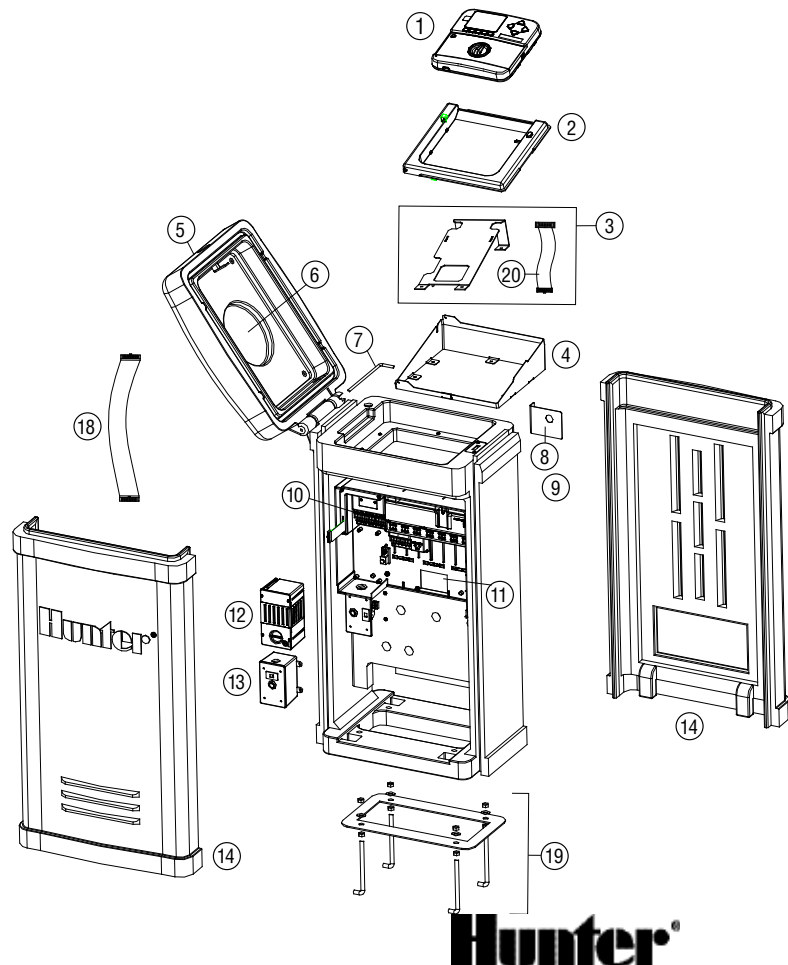
*Replaces ACM-600 and AGM-600 which are no longer available.

**Limited availability

Beginning in 2017, plastic pedestals for all controllers changed to a new design. Models affected include the original ICC, I-Core, and ACC controllers. (Note: ACC2, ICC2, and HCC controllers have only been offered with the new design.)

Parts for the new design are not interchangeable with the older design. Before ordering replacement parts, be sure to correctly identify which pedestal you have. While all plastic parts between the two pedestals are different, the easiest way to determine what style you have is to look at the door design:

- Old style: Air vents are located only on the bottom of the door (below the Hunter logo).
- New style: Air vents are located on the top and bottom of the door (above and below the Hunter logo).

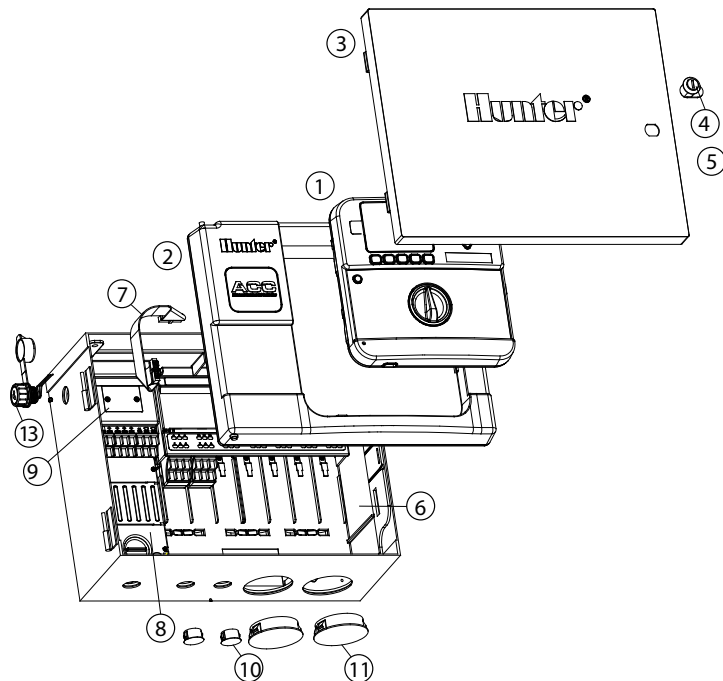


ACC: WALL-MOUNT CONTROLLER

ITEM	DESCRIPTION	CATALOG NO.
1	Front Faceplate Face Pack	571500
2	Front Face Pack Door Frame	589000
3	Metal Front Door without Lock	585500
4	Lock & Key Set (Not Shown)	387300
5	Key Set (2) (Not shown)	122516
6	Shell kit, Includes Metal Cabinet, Plastic Backplane, Transformer, and Master Module	* ACCSHELLKIT
7	Door Ribbon Cable (Wall-Mount Only)	585100
8	Transformer Assembly	587000
9	Master Module	572000
10	Small Hole Plug	654400
11	Large Hole Plug	654500
12	6-Station Output Module	**A2M-600
13	SmartPort® Assembly, Including Nut	112200
14	Decoder Output Module	ADM-99

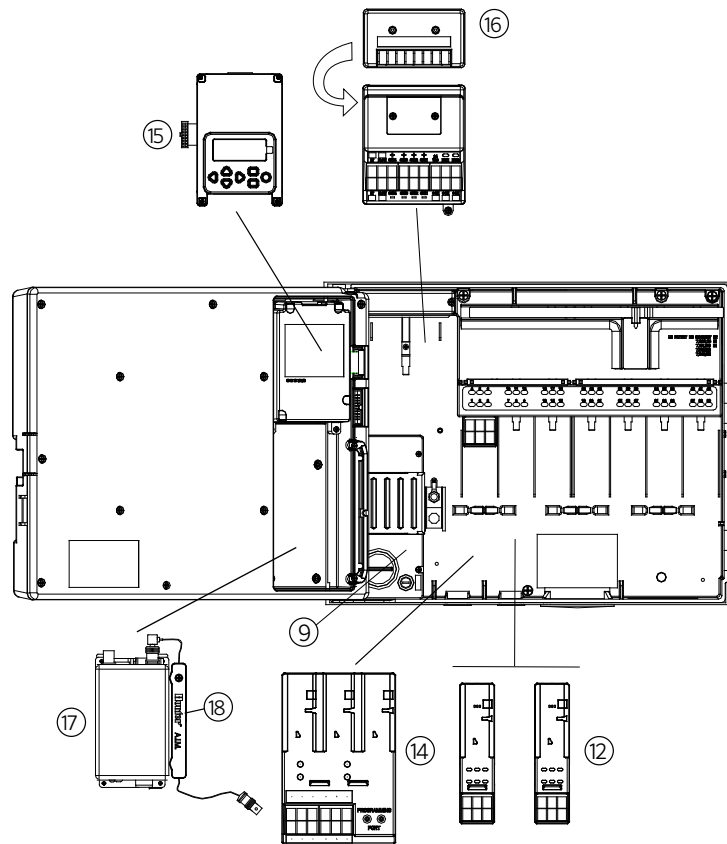
* Replaces part 586005 which is no longer available.

** Replaces ACM-600 and AGM-600 which are no longer available.



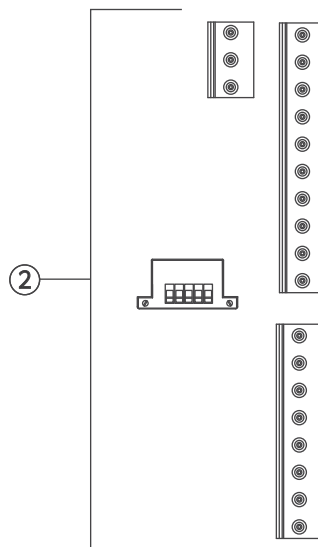
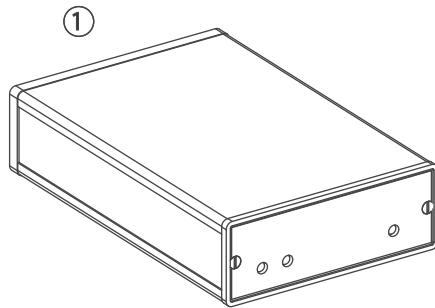
COMMUNICATIONS MODULES AND PARTS

ITEM	DESCRIPTION	CATALOG NO.
15	Com Module for Dial-Up (POTS)	ACC-COM-POTS
	Com Module for Radio and Hardwire Only	ACC-COM-HWR
	Com Module for Ethernet	ACC-COM-LAN
	Com Module for GPRS	ACC-COM-GPRS
	Hardwire Interface Module	ACC-HWIM
16	Antenna for GSM or GPRS (USA) (Not Shown)	666251
	Antenna for GSM or GPRS (Int'l) (Not Shown)	666261
17	UHF Radio (No Antenna)	RAD3
18	Antenna Isolation Module	AIM-BNC



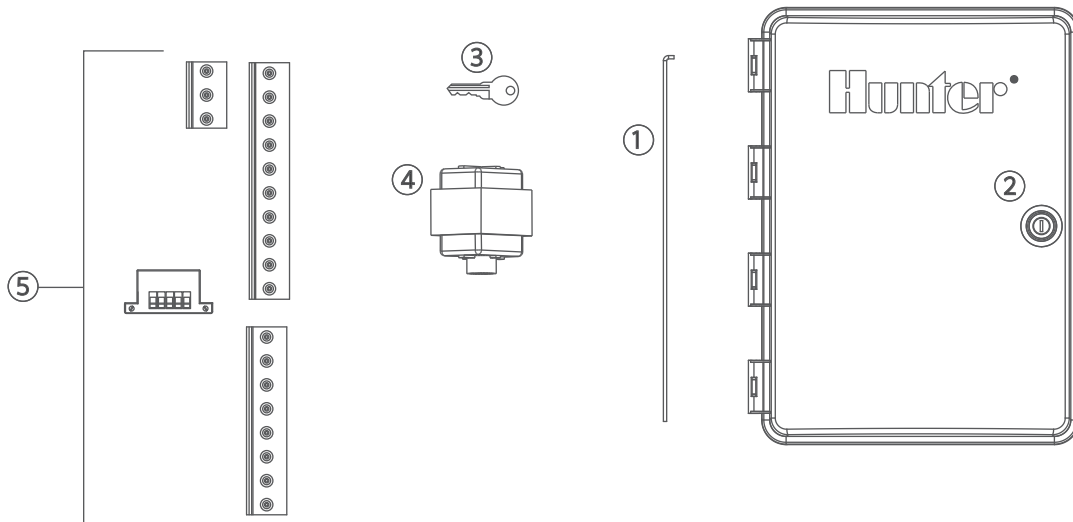
IMMS-CCC: IRRIGATION MANAGEMENT AND MONITORING SYSTEM

ITEM	DESCRIPTION	CATALOG NO.	
1	Central Computer Communications Unit (Includes 1 & 3)	U.S.	IMMS-CCC
		International	IMMS-CCC-E
		AU/NZ	IMMS-CCC-A
2	Terminal Plugs (1 CCC GCBL & 1 Set of Interface Plugs)	629800	



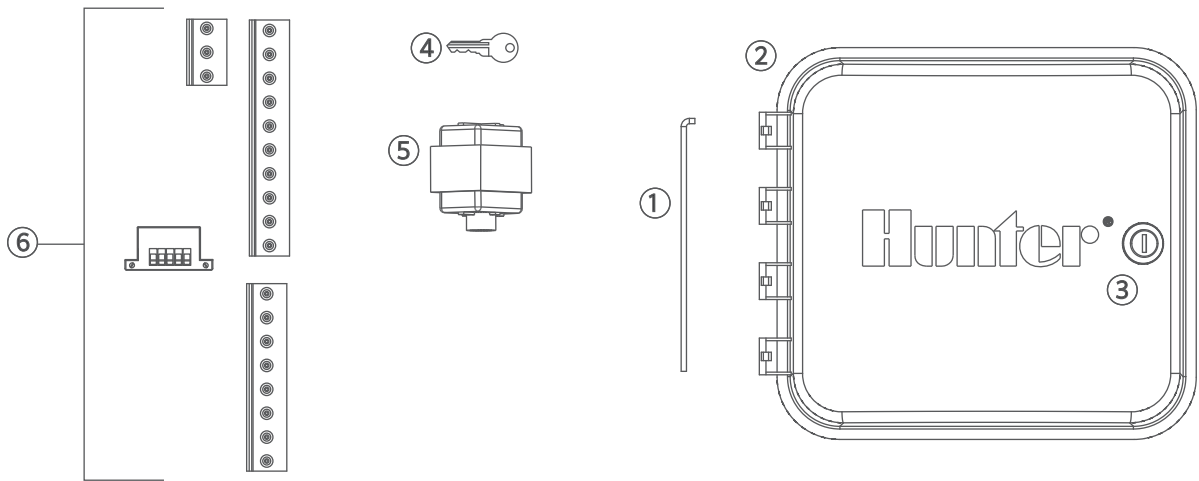
IMMS-SI: IRRIGATION MANAGEMENT AND MONITORING SYSTEM

ITEM	DESCRIPTION	CATALOG NO.	
1	Front Door Hinge Pin	513005	
2	Lock Assembly and Key	387300	
3	Key Set (2)	122516	
4	Transformer	120/24 VAC (U.S.)	468000
		230/24 VAC (European)	545600
5	Terminal Plugs (All)	629800	



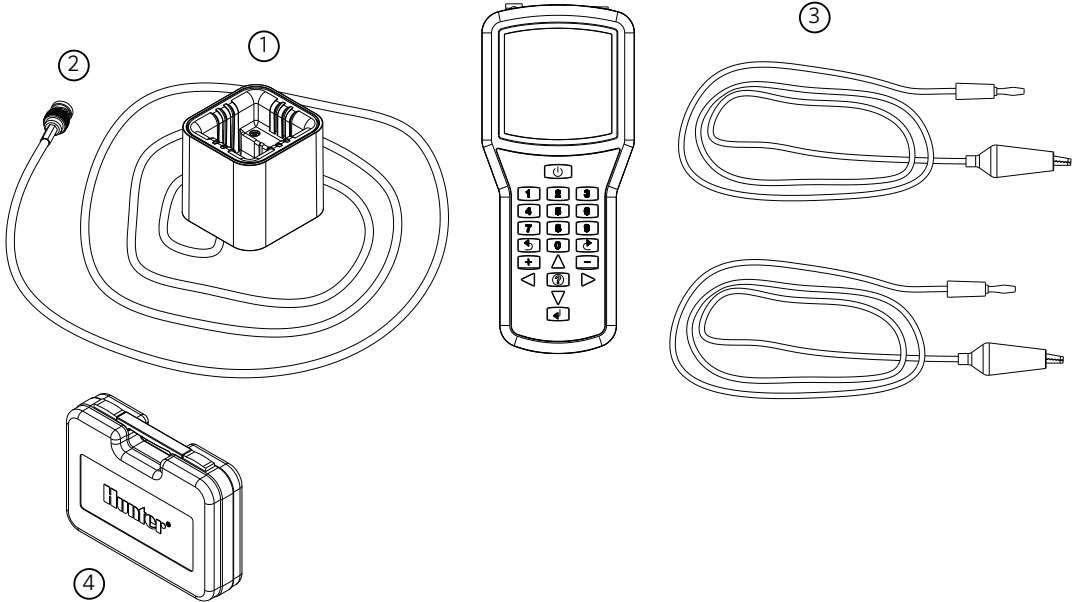
IMMS-CI: IRRIGATION MANAGEMENT AND MONITORING SYSTEM

ITEM	DESCRIPTION	CATALOG NO.	
1	Front Door Hinge Pin	464400	
2	Plastic Front Door (Without Lock)	U.S.	463100
		International	463105
3	Lock Assembly and Key	387300	
4	Key Set (2)	122516	
5	Transformer	120/24 VAC (U.S.)	468000
		230/24 VAC (European)	468005
6	Terminal Plugs (All)	629800	



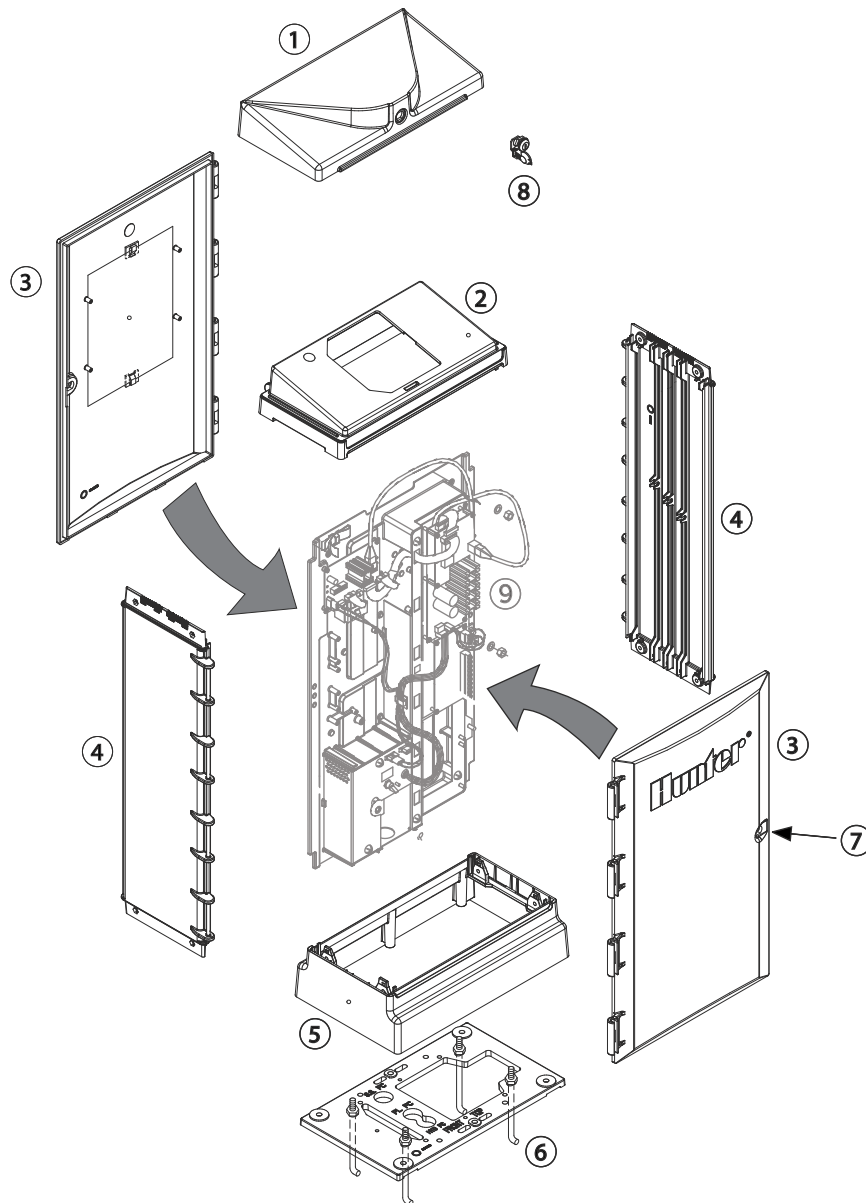
ICD-HP COMPONENTS

ITEM	DESCRIPTION	CATALOG NO.
1	Programming Cup	177600
2	Programming Cable 6' (1.8 m) with Connectors	180504
3	Red and Blue 6' (1.8 m) Leads	180508
4	Carrying Case	205800



IDS: PLASTIC PEDESTAL

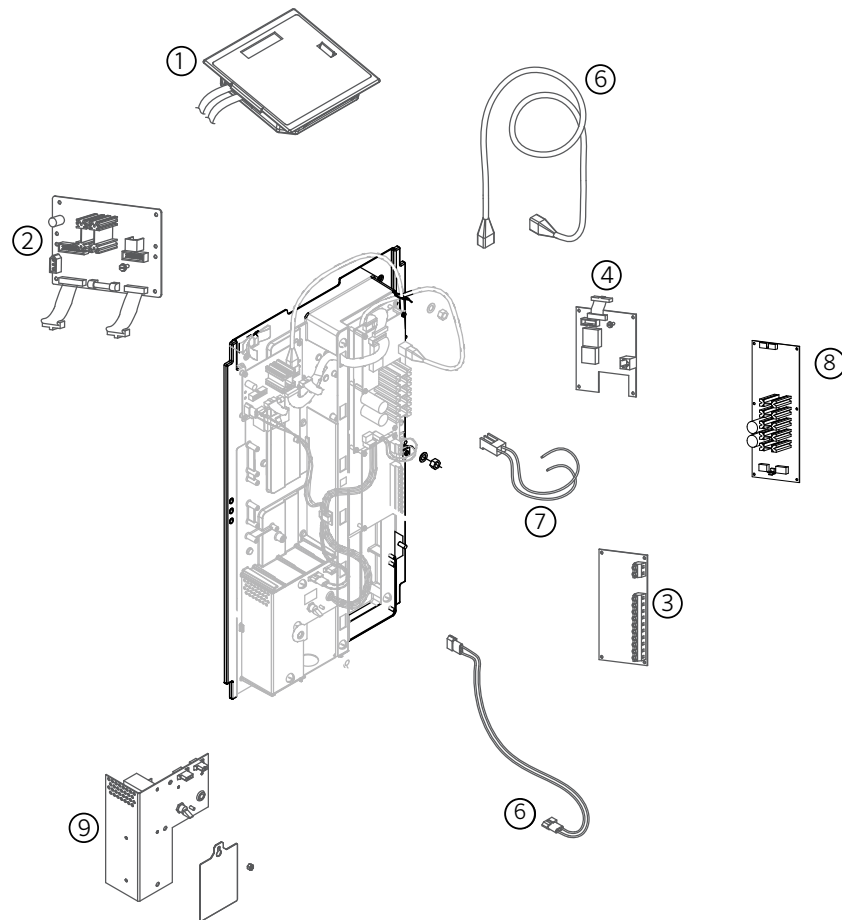
ITEM	DESCRIPTION	CATALOG NO.
1	Lid Kit	FCPLKT
2	Cap Kit	FCPCKT
3	Door Kit (1 per Kit)	FCPDKT
4	Side Kit	FCPSKT
5	Base Kit	FCPBKT
6	Template Kit	TEMPLT2
7	Lock Assembly, Door	FCPDLKT
8	Lock Assembly, Lid	FCPLLKT
9	Plastic Backplane for Mounting Electronic Components (Also Rear Panel of Wall-Mount, Includes Gasket Tape - No Components)	BACKPLANEKT



IDS: CONTROLLER COMPONENTS

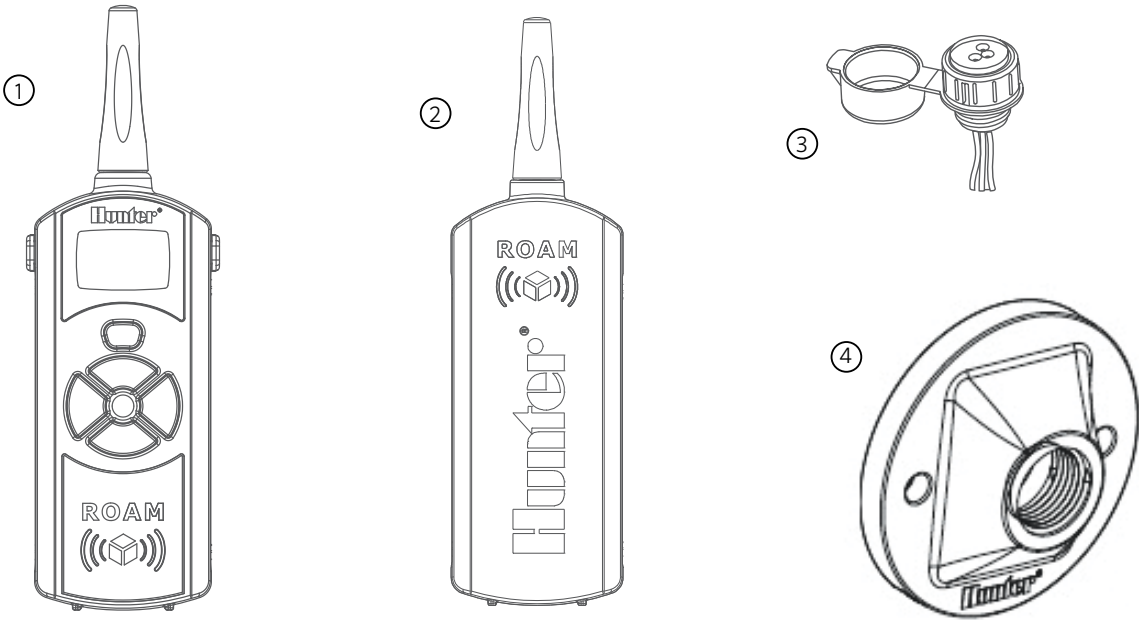
ITEM	DESCRIPTION	CATALOG NO.
1	IDS Facepack Kit	IDSKTFP
2	Decoder Power Supply Board Kit	VKTPSB2
3	Decoder Lightning/Output Board	VLPTKT
4	Decoder CPU Board	VCPUKT
5	RJ45 Cable	516238
	IDS Instruction Card/Zone Label Inside Door (Not Shown)	562242
6	Power Supply Board Wire Harness	516140
	IDS Controller Manual (Not Shown)	LIT-376
7	Transmitter Cable	516143
8	Viking Transmitter Board	VTRNSKT

TRANSFORMER OPTIONS		
9	Decoder Transformer Kit 110 VAC (Plastic and S Series)	FCPVKTTFR2



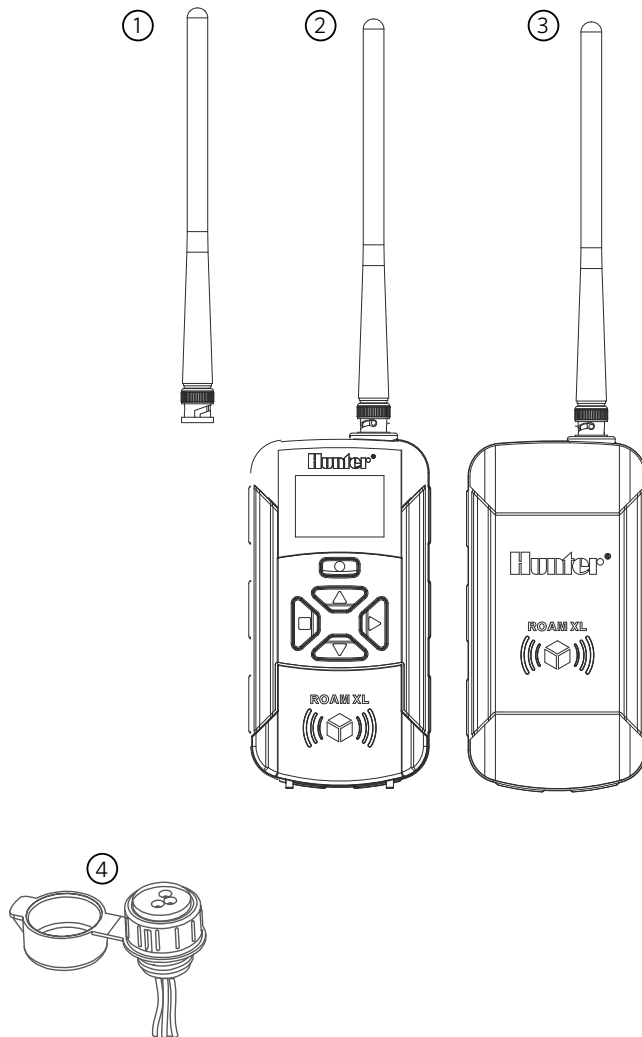
ROAM: REMOTE CONTROL UNIT

ITEM	DESCRIPTION	CATALOG NO.	
1	ROAM Transmitter	ROAM-TR	
2	ROAM Receiver	ROAM-R	
3	SmartPort® Wiring Harness	6' (15 cm) Wire	ROAM-WH
		25' (7.6 m) Wire-Shielded	ROAM-SCWH
4	SmartPort Wall-Mount Bracket	258200	
5	Owner's Manual (Not Shown)	English	LIT-477



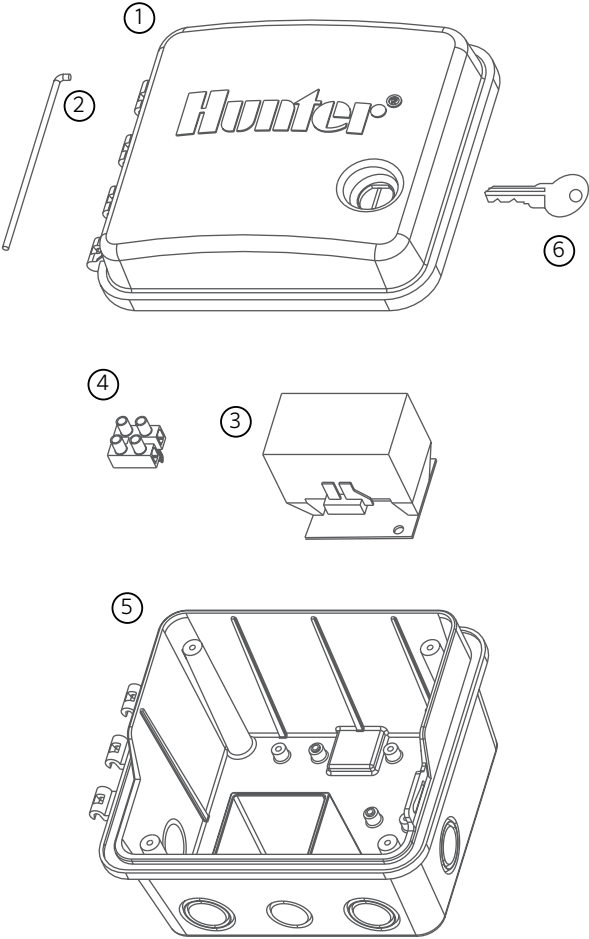
ROAM XL: REMOTE CONTROL UNIT

ITEM	DESCRIPTION	CATALOG NO.	
1	ROAM XL Antenna	522701	
2	ROAM XL Transmitter	ROAM-XL-TR	
3	ROAM XL Receiver	ROAM-XL-R	
4	SmartPort® Wiring Harness	6' (1.8 m) Wire	ROAM-WH
		25' (7.6 m) Wire-Shielded	ROAM-SCWH
5	ROAMXL Antenna Extension Kit	ROAMXL-EXT	



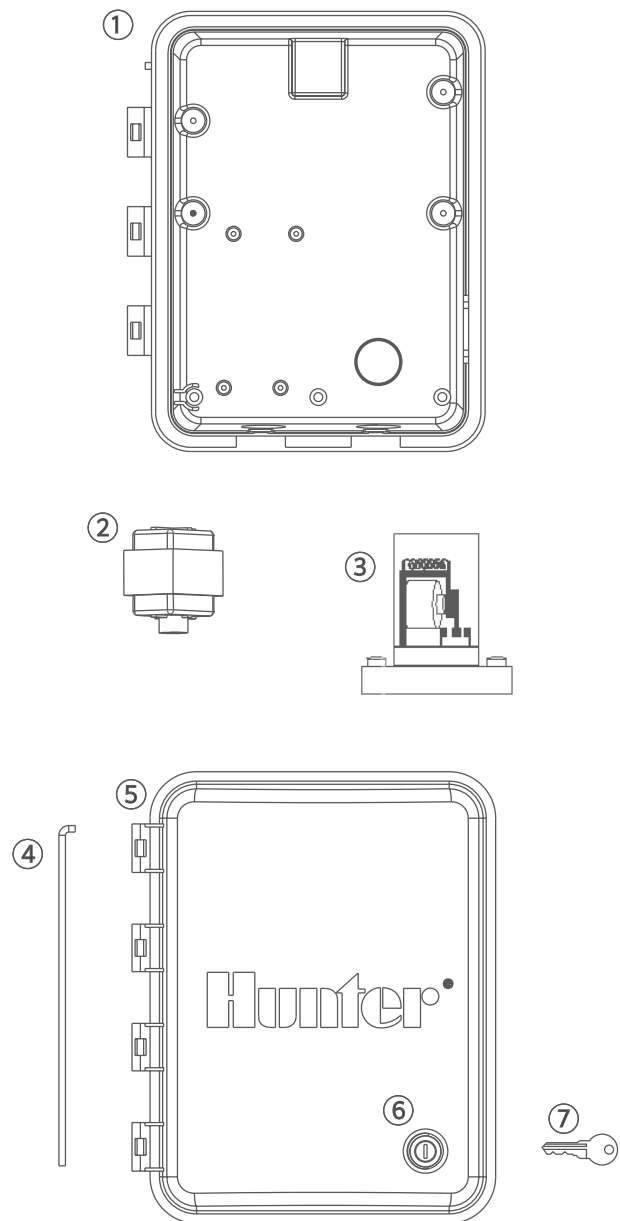
PSR: PUMP START RELAY

ITEM	DESCRIPTION	CATALOG NO.
1	Door without Lock	468800
2	Door Hinge Pin	469000
3	Contactors PSR-22	469201
4	Grounding Block	501600
5	Cabinet	468700
6	Key Set (2)	122516
7	Lock & Key Set	387300



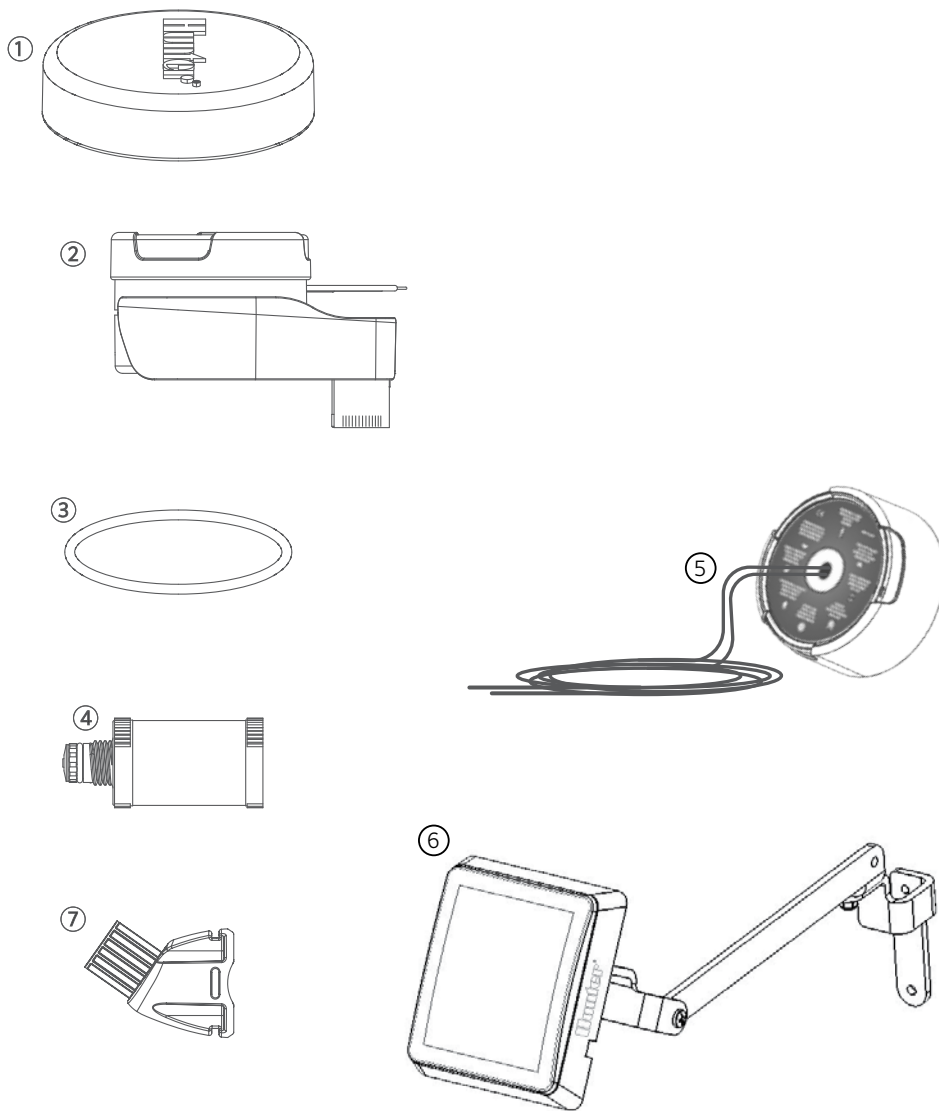
PSR-B: PUMP START RELAY BOOSTER

ITEM	DESCRIPTION	CATALOG NO.
1	Cabinet	527100
2	Transformer (Dual Voltage 110/220 24V 40VA)	154628
3	Heavy-Duty DPDT Relay	REL2
4	Door Hinge Pin	429200
5	Front Door	428000
6	Lock and Key Set	387300
7	Key Set (2)	122516



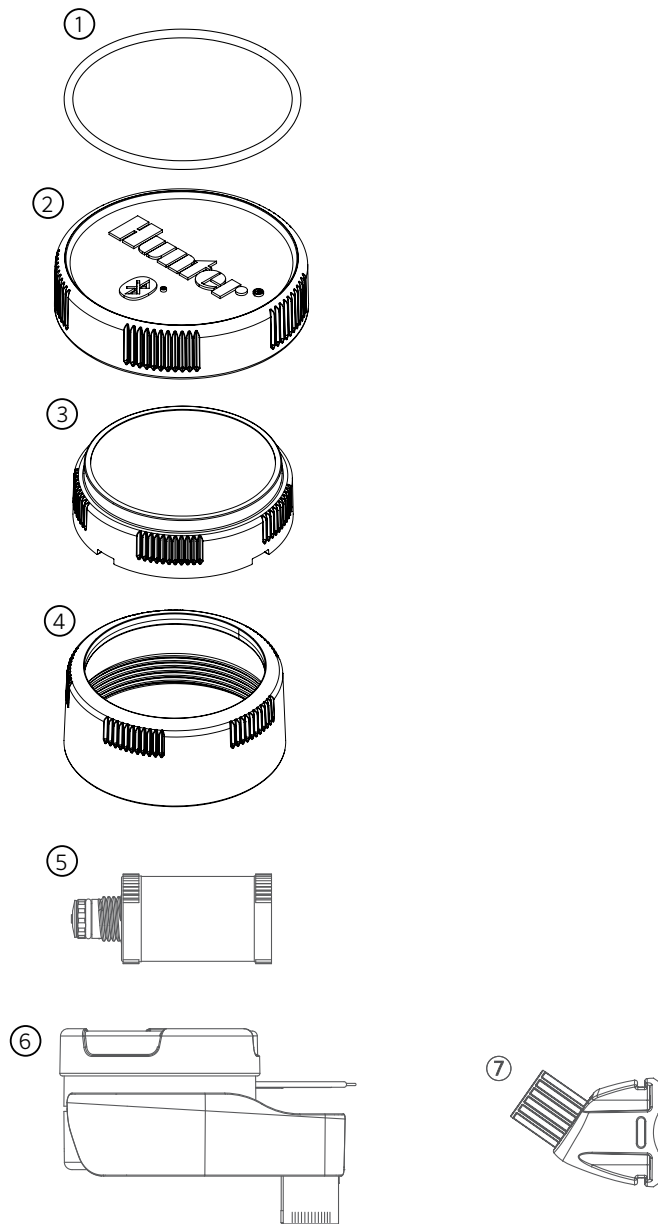
NODE: BATTERY-POWERED CONTROLLER

ITEM	DESCRIPTION	CATALOG NO.
1	Rubber Cover	297100
2	Tray Holder	881600
3	O-Ring	252105
4	DC-Latching Solenoid	458200
5	Solar Battery Charger	517500
6	Solar Panel with Mounting Assembly	517300
7	Mounting Adapter	951500



NODE-BT: BLUETOOTH® BATTERY-POWERED CONTROLLER

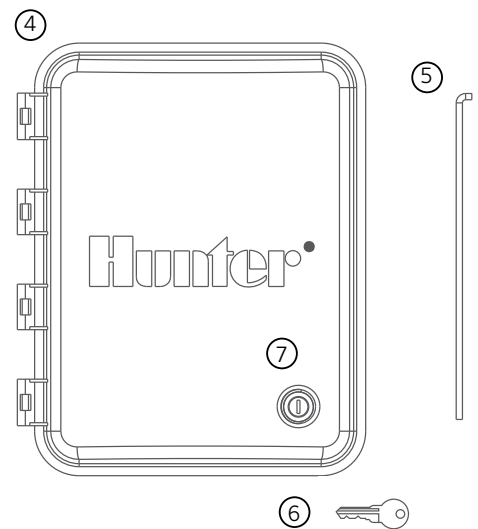
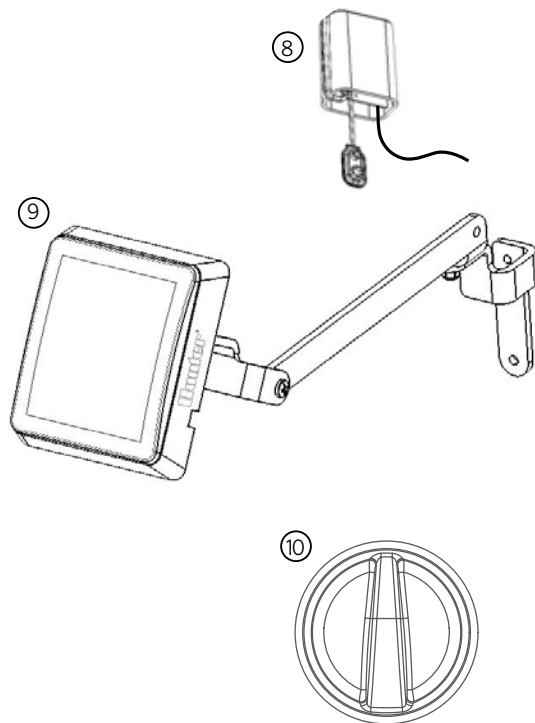
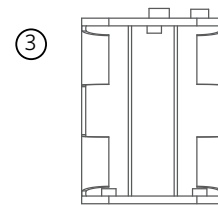
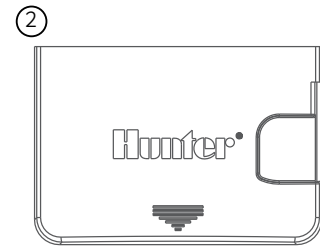
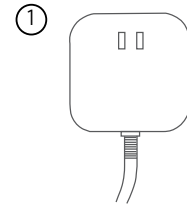
ITEM	DESCRIPTION	CATALOG NO.
1	O-Ring	966600SP
2	Rubber Cover	967200SP
3	Endcap Battery Cover	966800SP
4	Endcap Battery Ring	967100SP
5	DC-Latching Solenoid	458200
6	Tray Holder	881600
7	Mounting Adapter	951500



The Bluetooth® word mark and logos are registered trademarks owned by Bluetooth SIG Inc. and any use of such marks by Hunter Industries is under license.

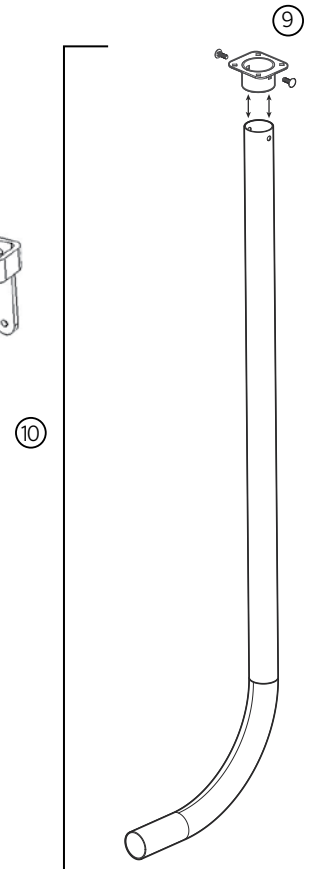
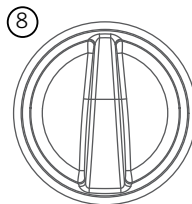
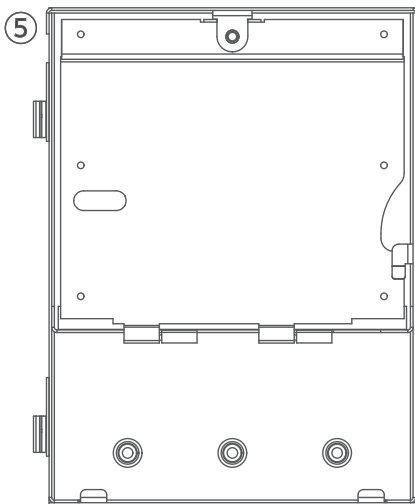
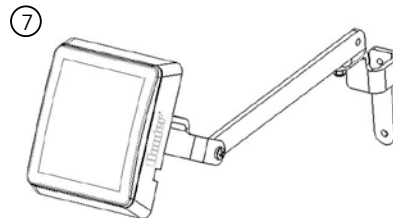
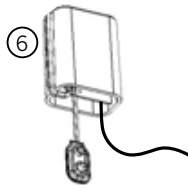
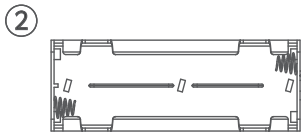
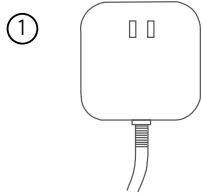
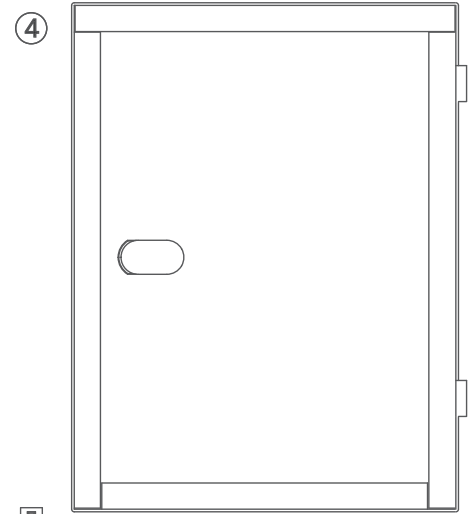
XC HYBRID: MOUNTED BATTERY-POWERED PLASTIC CONTROLLER

ITEM	DESCRIPTION	CATALOG NO.	
1	Indoor Transformer (Optional)	120/24 VAC (U.S.)	526500
		230/24 VAC (European)	545700
		240/24 VAC (Australian)	545500
2	Access Door	Outdoor Model	471010
3	Battery Holder (6AA Not Included)		152200
4	Front Door		428000
5	Front Door Hinge Pin		429200
6	Key Set (2)		122516
7	Lock & Key Set		387300
8	Solar Battery Charger		517400
9	Solar Panel with Mounting Assembly		517300
10	Dial		627300



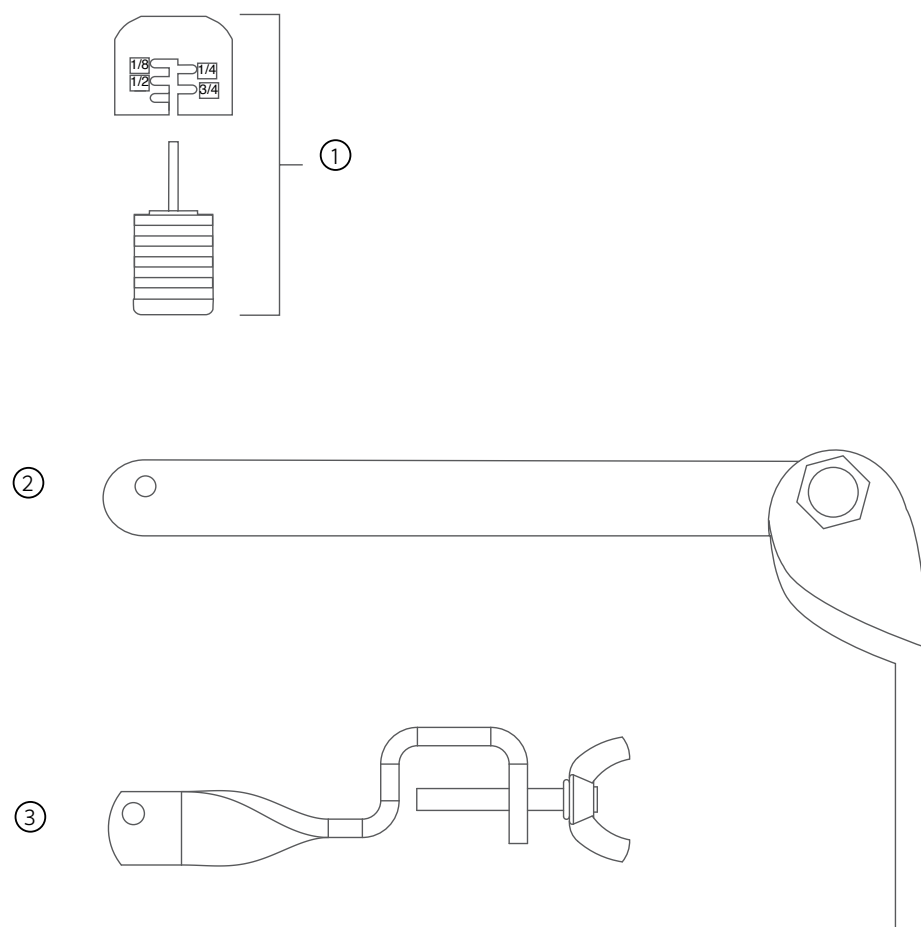
XC HYBRID: MOUNTED BATTERY-POWERED STAINLESS STEEL CONTROLLER

ITEM	DESCRIPTION	CATALOG NO.	
1	Indoor Transformer (Optional)	120/24 VAC (U.S.)	526500
		230/24 VAC (European)	545700
		240/24 VAC (Australian)	545500
2	Battery Holder (6 C Cells Not Included)	194913	
3	Access Panel	176600	
4	Stainless Steel Door	176200	
5	Stainless Steel Rear Enclosure	148100	
6	Solar Battery Charger	517400	
7	Solar Panel with Mounting Assembly	517300	
8	Dial	627300	
9	Mounting Bracket Only	XCHSPB	
10	Pole and Mounting Bracket Kit	XCHSPOLE	
11	Key Set (2)	122516	



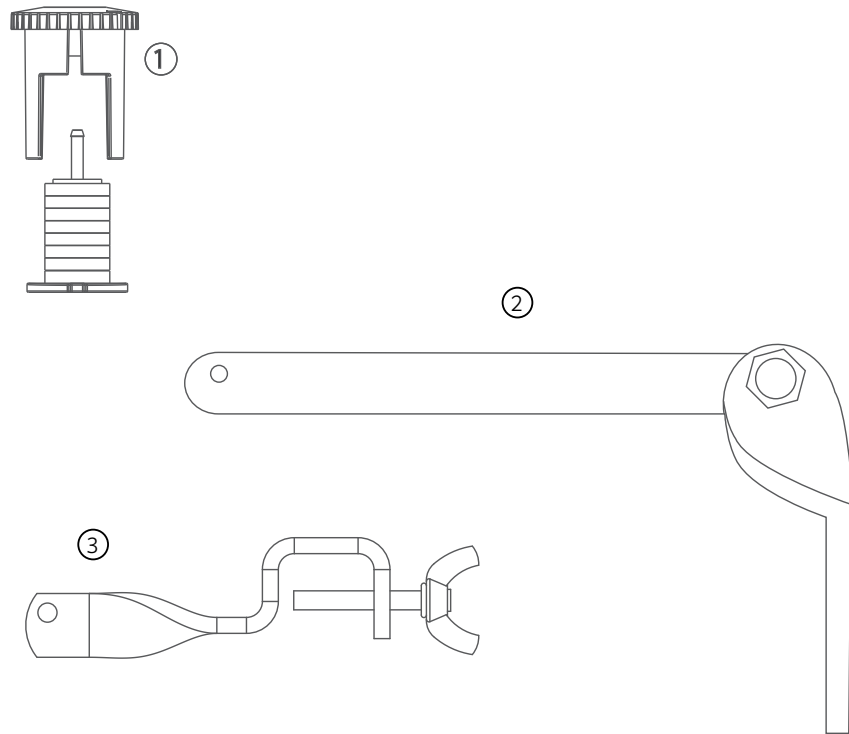
MINI-CLIK®: RAIN SENSOR

ITEM	DESCRIPTION	CATALOG NO.
1	Cap and Spindle Assembly	440200SP
2	Bracket	439700
3	Sensor Gutter Mount	SGM



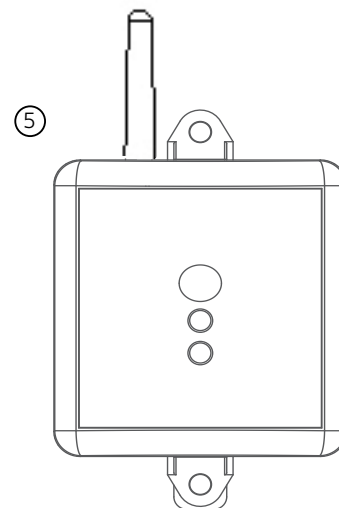
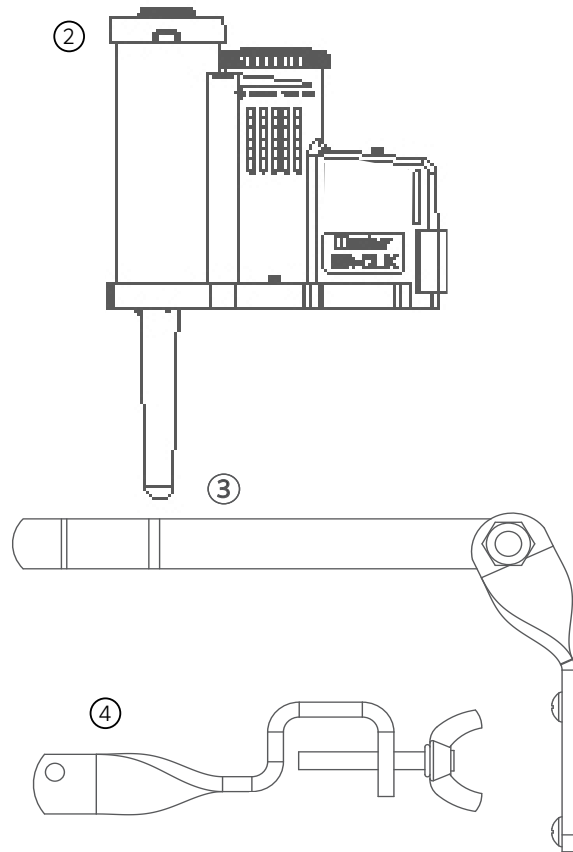
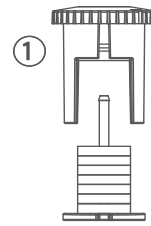
WIRED RAIN-CLIK®: RAIN SENSOR

ITEM	DESCRIPTION	CATALOG NO.	LIST PRICE \$
1	Cap and Spindle Assembly	505900SP	5.00
2	Bracket	439700	12.00
3	Sensor Gutter Mount	SGM	6.00



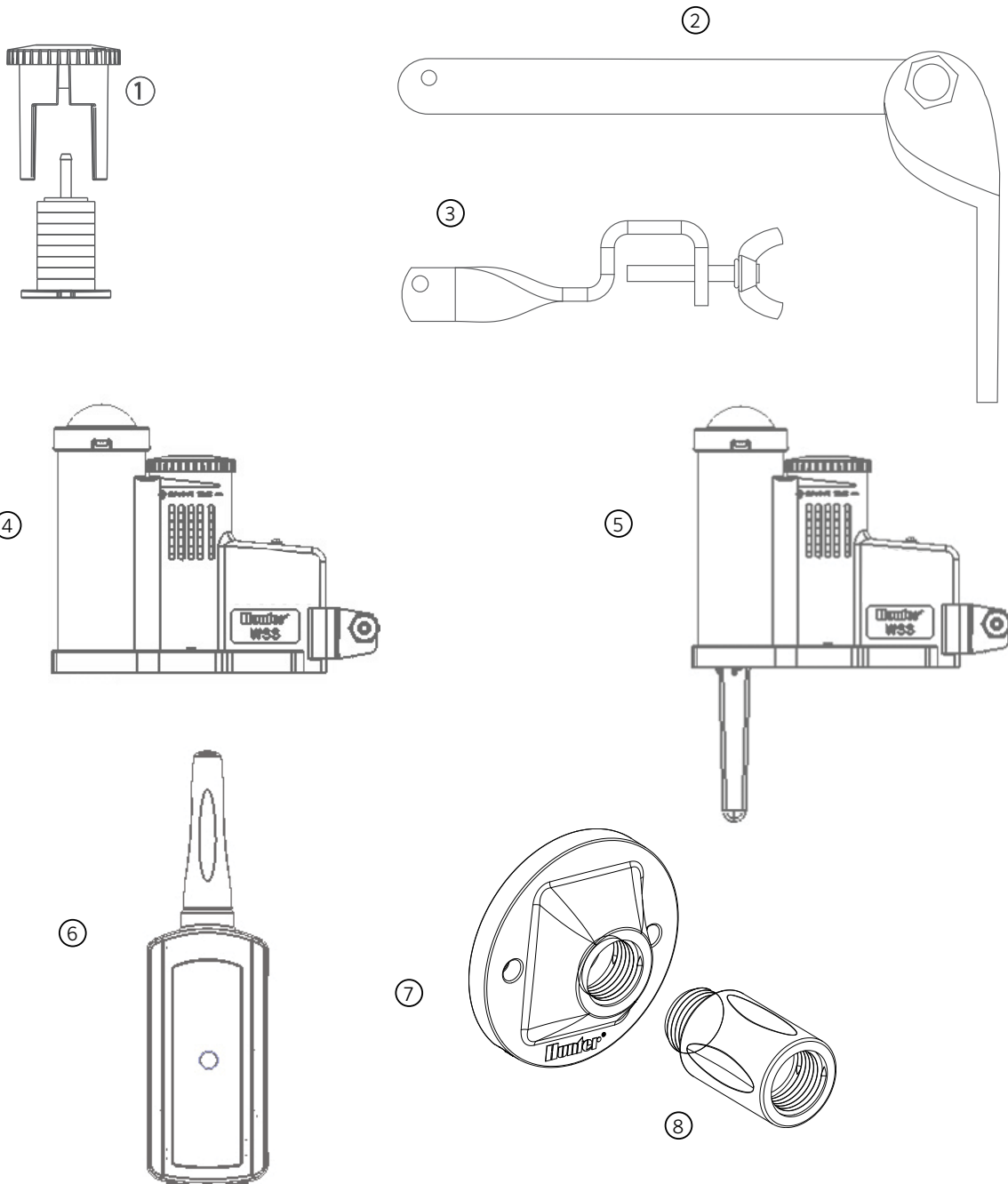
WIRELESS RAIN-CLIK: RAIN SENSOR

ITEM	DESCRIPTION	CATALOG NO.	LIST PRICE \$
1	Cap and Spindle Assembly	505900SP	5.00
2	Transmitter Assembly	WR-CILK-TR	79.75
		WRF-CLIK-TR	106.00
3	Mounting Bracket	439700	12.00
4	Sensor Gutter Mount	SGM	6.00
5	Receiver Assembly	WR-CLIK-R	103.00



SOLAR SYNC®: ET SENSOR

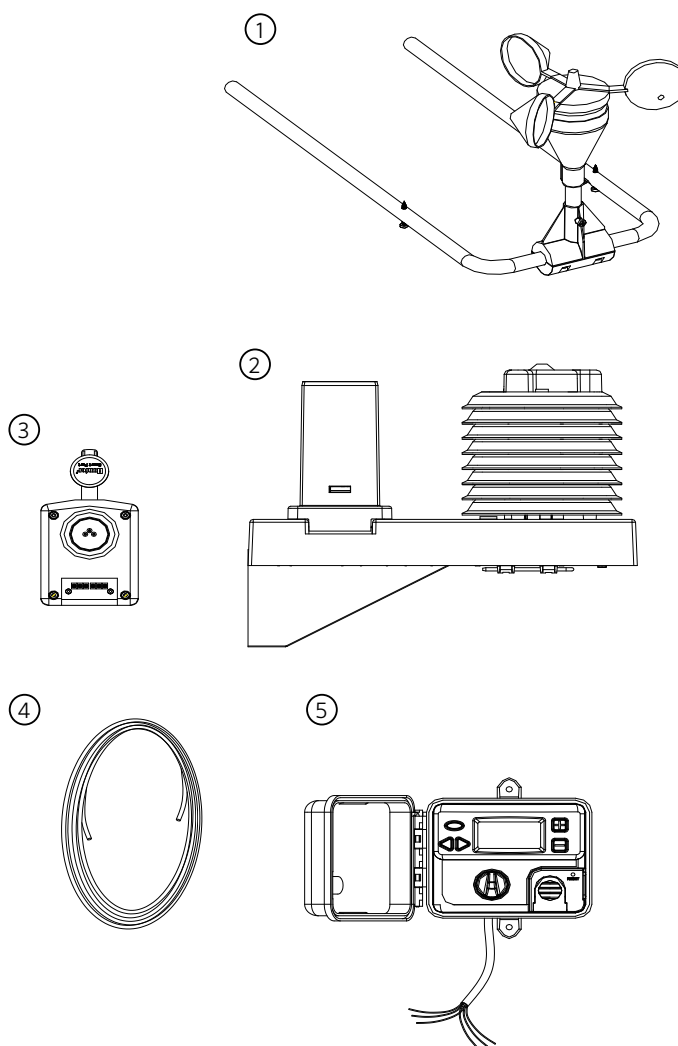
ITEM	DESCRIPTION	CATALOG NO.
1	Cap and Spindle Assembly	505900SP
2	Bracket	439700
3	Sensor Gutter Mount	SGM
4	Solar Sync Sensor (Wired)	SOLAR-SYNC-SEN
5	Wireless Solar Sync Sensor	WSSTR
6	Wireless Solar Sync Receiver	WSSR
7	Wall-Mount Bracket	258200
8	Wall-Mount Bracket Extender	222600SP



ET SYSTEM

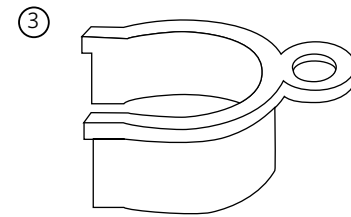
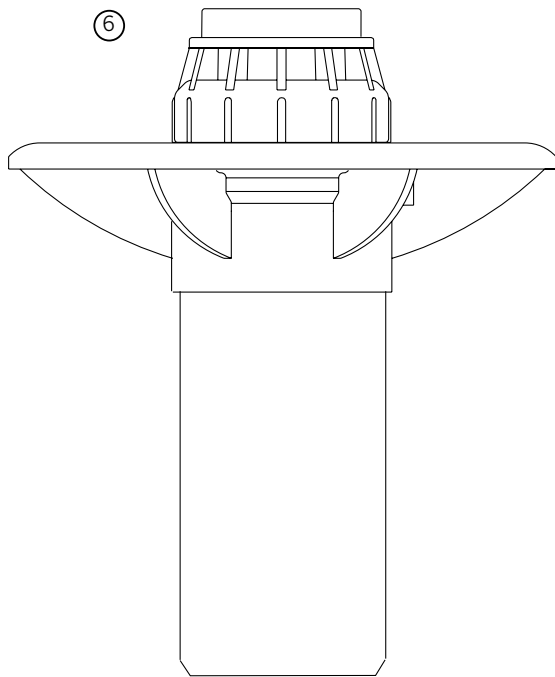
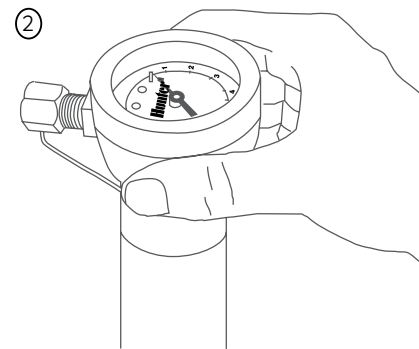
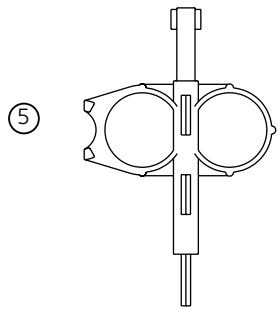
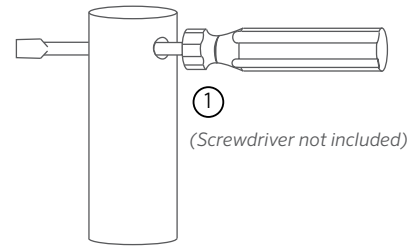
ITEM	DESCRIPTION	CATALOG NO.
1	ET Anemometer	ET-WIND
2	ET Sensor Platform	ET-SENSOR
3	SmartPort® Adapter for ACC	ET-ADAPTOR
4	100' (30 m) Direct Burial Wire	206100
5	ET Control Module	ET-MODULE
	Spare Lithium Battery (Not Shown)	622032
	Mounting Bracket Hardware (Not Shown)	ET-HARDWARE

*Available on Hunter website



TOOLS

ITEM	DESCRIPTION	CATALOG NO.
1	Turf Plug Cutter	150500
2	Rotor Pitot Gauge	280100SP
3	Nozzle Insertion Collar	123200SP
4	Hand Pump - Water Extraction	217500SP
5	Wrench	172000SP
6	Subsurface Stabilizer Flange (I-25/I-40/I-50)	222700SP



④



STATEMENT OF WARRANTY

Hunter Residential and Commercial Irrigation

Hunter Industries Incorporated (“Hunter”) warrants the following products to be free of defects in materials or workmanship under normal use in landscape irrigation applications for the specified period of time outlined below from the original date of manufacture:

ONE YEAR	ROTORS	SRM	MICRO	Micro Sprays, PLD Fittings, Rigid Risers, Air Relief Valves, RZB
TWO YEARS	ROTORS	PGP®-ADJ, PGJ, HCV	CONTROLLERS	BTT, HC, HPC, NODE, NODE-BT, Pro-C Families, Pro-HC, PSR, ROAM, X2, XC Hybrid, X-Core, and WAND
	SPRAYS	PS Ultra Family, SJ, FLEXsg, HSBE Family	SENSORS	HC Flow Meter
	NOZZLES	Spray Nozzles, PCN, PCB, AFB, MSBN	MICRO	ACZ, Accu Sync, PCZ, RZWS, Point Source Emitters, Tubing, Multi-Port Emitters, IH Risers, MLD, Eco-Indicator, Multi-Purpose Box, Senninger Regulators, PLD-LOC Fittings
	VALVES	PGV Family	TOOLS	SpotShot
THREE YEARS	CONTROLLERS	ROAM XL, EZ Decoder System	MP ROTATOR	All
FIVE YEARS	ROTORS	PGP Ultra, I-20, I-25, I-40, I-50, I-80, and I-90 Families	CENTRAL	IMMS Central Control Products, A2CNWRK, LANKIT, WIFIKIT
	SPRAYS	Pro-Spray, Pro-Spray PRS30, and Pro-Spray PRS40 Families	SENSORS	Clik Sensors, Flow-Sync, MWS, Solar Sync, Wireless Flow Sensor
	VALVES	HQ, ICV, IBV	MICRO	ICZ, HDL, HDL-COP**, Eco-Mat, Eco-Wrap
	CONTROLLERS	ACC/ACC2 Families, HCC, ICC2, ICD Decoders, ICD-HP, and I-Core/DUAL Families		

Hunter Golf and ST System Irrigation Component* Warranty Products

Hunter will unconditionally repair, replace, or repurchase, at its sole discretion, any defective component* assemblies contained within the Golf and ST products listed below by category, returned freight prepaid, from the date of manufacture within a period of:

ONE YEAR	GOLF CONTROLLERS	Pilot Command Center Software, Pilot-FC, Pilot-FI, Pilot Hub
THREE YEARS	GOLF ROTORS	TTS-800 Series, G-800 Series, G-900 Series, B-Series, RT Series
	GOLF DECODERS	Pilot 100, Pilot 200, Pilot 400, Pilot 600
FIVE YEARS	GOLF ROTORS	The golf rotor component warranty is extended to 5 years with a one-for-one purchase of an HSJ Swing Joint from an authorized Hunter Golf distributor.
	SWING JOINTS	HSJ-0, HSJ-1, HSJ-2, HSJ-3
	ST ROTORS	ST-90, STG-900, ST-1200, ST-1600
	ST ACCESSORIES	All model “numbers” starting with “ST”
	COMPUTER, PRINTERS & ACCESSORIES, MAINTENANCE RADIO & BATTERY	Equipment manufacturer’s warranty (no Hunter warranty)

* Warranty covers repair, replacement, or repurchase of individual defective component assemblies contained within the product. Returns of complete finished goods are not allowed under warranty without prior approval from the Hunter Product Manager.

If used for agricultural applications, Hunter limits the warranty for its spray, rotator, and rotor products to a period of one (1) year from the original date of manufacture. This agriculture limitation supersedes all other warranties expressed or implied. **While the use of copper does not completely remove the chance of root intrusion, it has been shown to assist in its prevention when coupled with proper irrigation scheduling.

Statement of Warranty, Continued

If a defect in a Hunter product is discovered during the applicable warranty period, Hunter will repair or replace, at its option, the product or the defective part. This warranty does not extend to repairs, adjustments, or replacement of a Hunter product or part that results from misuse, negligence, alteration, modification, tampering, or improper installation and/or maintenance of the product. This warranty extends only to the original installer of the Hunter product. If a defect arises in a Hunter product during the warranty period, contact your local Hunter Authorized Distributor.

Hunter's warranty applies only to products installed as specified and used as intended for irrigation purposes. Hunter's warranty shall be limited to defects in materials and workmanship during the warranty period, and shall not extend to situations in which the product was subjected to improper design, installation, operation, maintenance, application, abuse, improper electrical current, grounding, service other than by Hunter authorized agents, operating conditions other than that for which it was designed, or in systems using water containing corrosive chemicals, electrolytes, sand, dirt, silt, rust, or agents that otherwise attack and degrade plastics. Hunter's warranty does not cover component failures caused by lightning strikes, electrical power surges, or unconditioned power supplies. If products are repurchased, the price to Distributor for such products in effect at the time of return will apply.

Hunter's obligation to repair, replace, or repurchase its products or product components as set forth above is the sole and exclusive warranty extended by Hunter. There are no other warranties, expressed or implied, including warranties of merchantability and warranties of fitness for a particular purpose. Hunter will not be liable to a distributor or to any other party in strict liability, tort, contract, or any other manner for any damages caused or claimed to be caused as a result of any design of or defect in Hunter's products, or for any special, incidental, or consequential damages of any nature.

Where applicable, Hunter's statement of warranty complies with local directives.

If you have any questions concerning the warranty or its application, please email support@hunterindustries.com.

ASAE CERTIFICATION STATEMENT

Hunter Industries Incorporated certifies that pressure, flow rate, and radius data for these products were determined and listed in accordance with ASAE Standard S398.1, Procedure for Sprinkler Testing and Performance Reporting, and are representative of performance of production sprinklers at the time of publication. Actual product performance may differ from the published specifications due to normal manufacturing variations and sample selection. All other specifications are solely the recommendation of Hunter Industries Incorporated.



Helping our customers succeed is what drives us. While our passion for innovation and engineering is built into everything we do, it is our commitment to exceptional support that we hope will keep you in the Hunter family of customers for years to come.

A handwritten signature in white ink, appearing to read 'G.R. Hunter', is written over a dark blue background.

Gregory R. Hunter, CEO of Hunter Industries



Gene Smith, President, Landscape Irrigation and Outdoor Lighting

Website hunterindustries.com | **Customer Support** +1 760-752-6037 | **Technical Service** +1 760-591-7383

This brochure was printed on Forest Stewardship Council® (FSC) certified paper with soy inks. The FSC is an international organization established to promote the responsible management of the world's forests.

© 2020 Hunter, the Hunter logo, and all other trademarks are property of Hunter Industries, registered in the U.S. and other countries. ♻️ Please recycle.



Printed using
100% Wind
Energy, (RECs)

