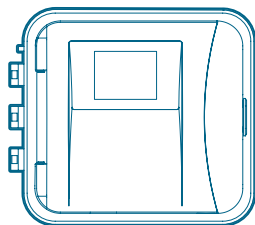


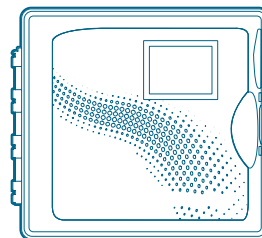
Hydrawise-Ready Controllers

INSTALLATION GUIDE FOR THE FOLLOWING HUNTER CONTROLLERS:

HPC



Pro-HC



The Most Complete
Wi-Fi Irrigation Control System

Hunter[®]



Table of Contents

3 Introduction

4 Mount Your Controller

4 HPC or Pro-HC Controllers

5 HPC and Pro-HC Controllers with Plug

6 Connect Power to Your Controller

6 HPC and Pro-HC Controllers Without a Plug

6 Connecting Station Wires

7 HPC-FP Kit

7 Retrofit Your Pro-C® Controller

8 Controller Touchscreen

8 Home Screen Navigation

9 Using the Connection Wizard

9 Using the App

10 Notices



Download the Hydrawise App from the Apple® App Store or Google Play™ Store, or log in on the Hydrawise.com website.





Your Hydrawise-ready controller can connect to the internet via your Wi-Fi router. Once connected, you can access and manage your irrigation system with your smartphone, tablet, or computer. Visit [hydrawise.com](https://www.hydrawise.com) to get started.

Need more helpful information on your product? Scan below to find tips on installation, controller programming, and more.



Important: A medium-to-high signal strength is preferred to maintain a stable connection between the controller and the router. In some cases, a Wi-Fi extender should be installed to increase the signal. Obstructions such as interior walls and landscaping can block the signal.

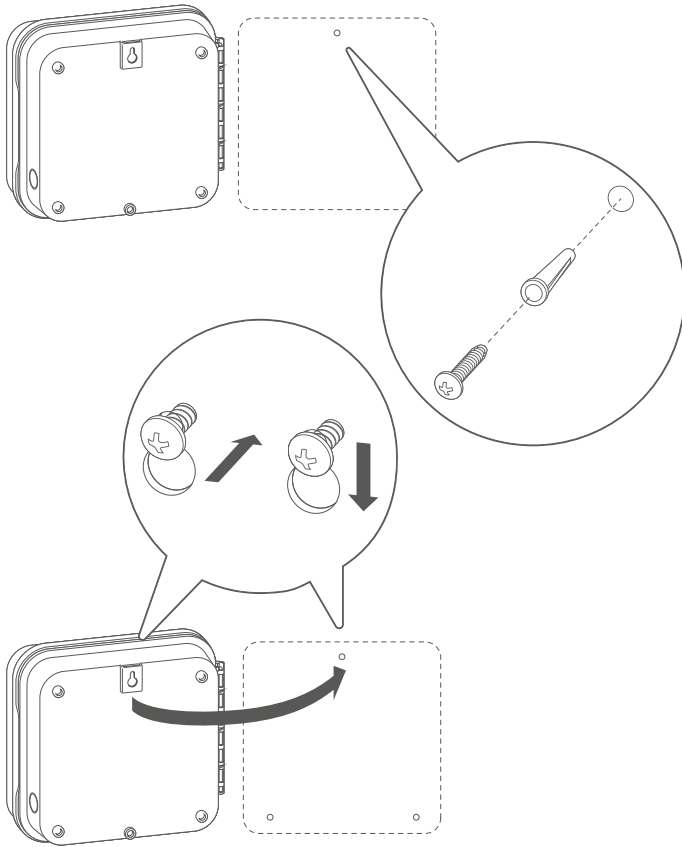


hunter.help/hydrawise



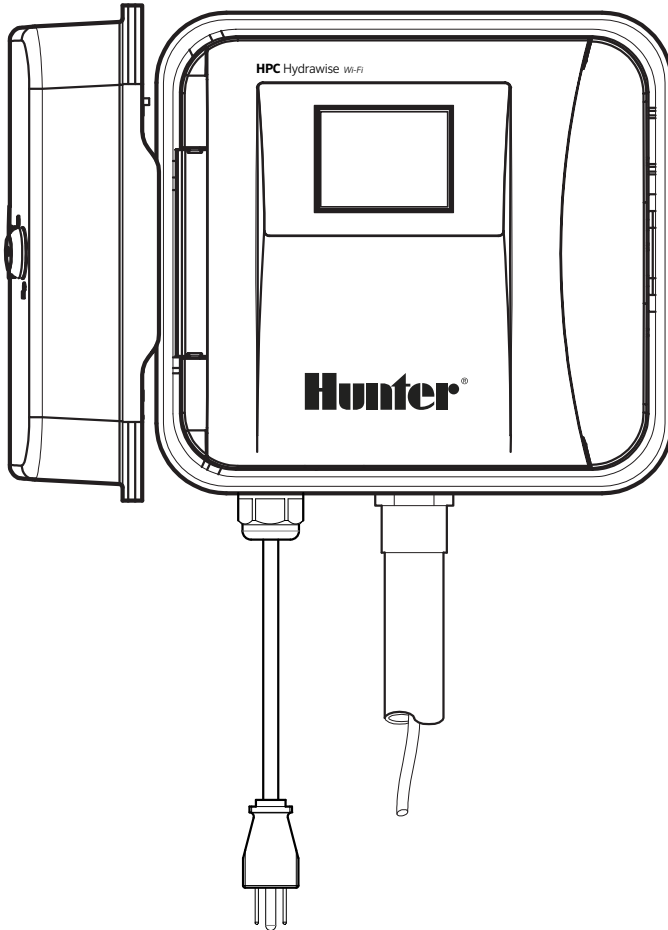
Visit hunter.help/wifispecs to ensure your Wi-Fi network meets the requirements of your Hunter Hydrawise-ready controller.

Mount Your Controller



HPC or Pro-HC Controllers

1. Choose a suitable location with strong Wi-Fi coverage.
2. Using a $\frac{3}{16}$ " (5 mm) drill bit, drill a hole and insert a plastic anchor.
3. Insert a screw into the anchor, leaving $\frac{1}{8}$ " (3 mm) exposed.
4. Slide the controller case over the screw head.
5. Mark a second mounting point, drill and fit the anchor, and fix the controller in place.



HPC and Pro-HC Controllers with Plug

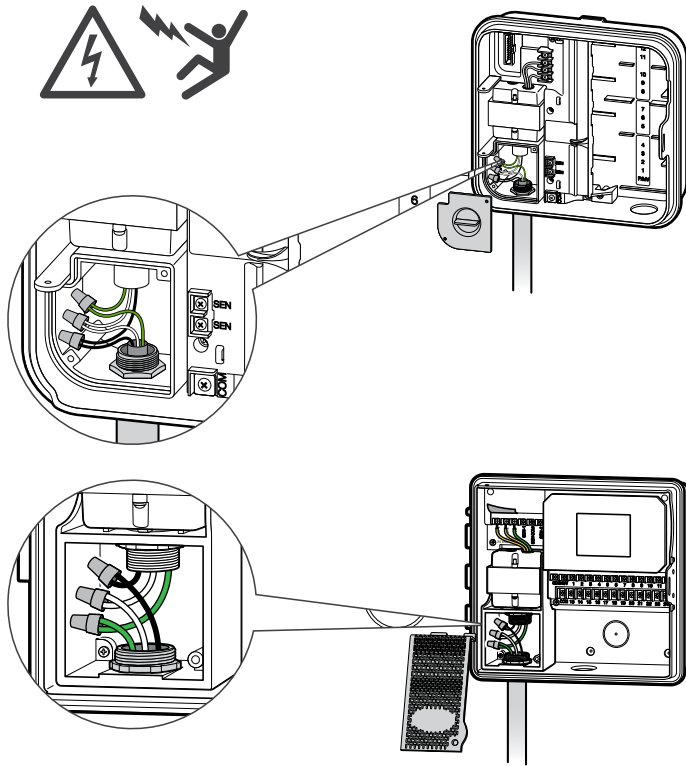
Do not plug into the power source until controller is mounted and all wiring has been connected.



Notes:

- Install in accordance with manufacturer specifications
- Controller accepts 120 VAC or 230 VAC (international models)
- Mount controller with LCD screen at eye level

Connect Power to Your Controller



Notes:

- **Green wires** indicate Protective Earth (PE) wires.
- PE wires shall be connected to the installation protective earthing system before energizing the controller.

HPC and Pro-HC Controllers Without a Plug



Important:

Outdoor HPC and Pro-HC Controllers must be installed by an authorized service technician.

1. Do not plug the transformer into the power source until controller is mounted and all wiring has been connected.
2. Remove the junction box cover, route the cable through the hole on the bottom left of the controller, and attach the cable using the adapter and nut inside the enclosure.
3. Connect the cable wires to the transformer wires in the junction box and replace the junction box cover.

Connecting Station Wires

For complete instructions on wiring your stations to your controller, scan one of the two QR codes below.

HPC Controller

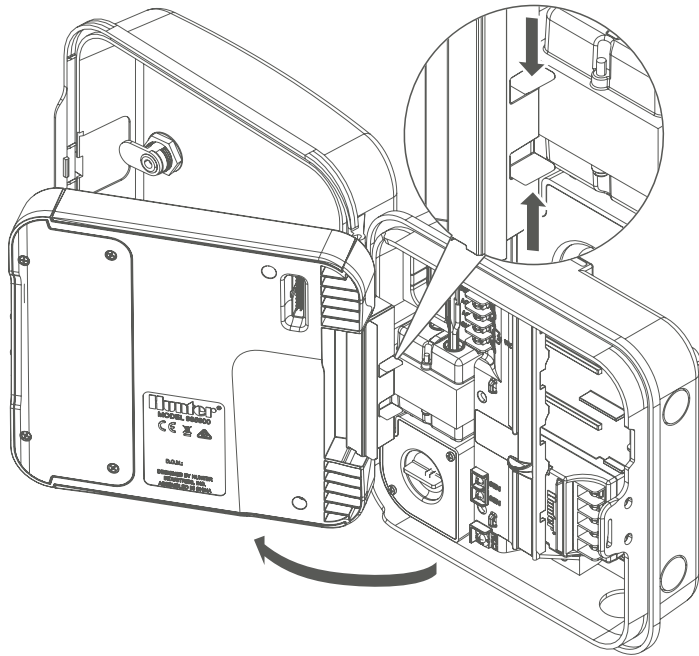


hunter.help/HPCwires

Pro-HC Controller



hunter.help/ProHCwires



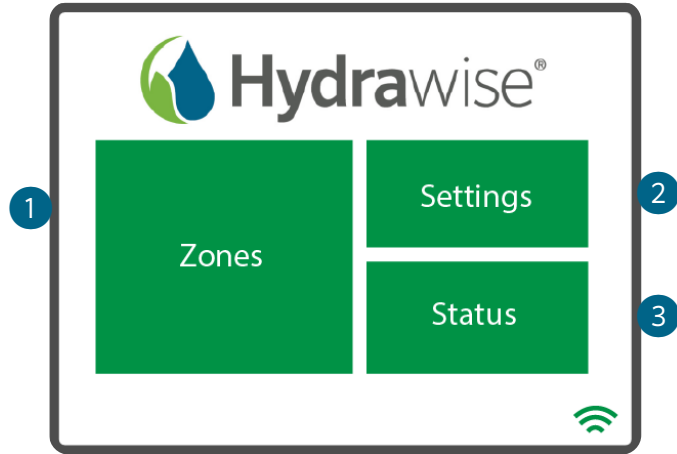
HPC-FP Kit



Important:

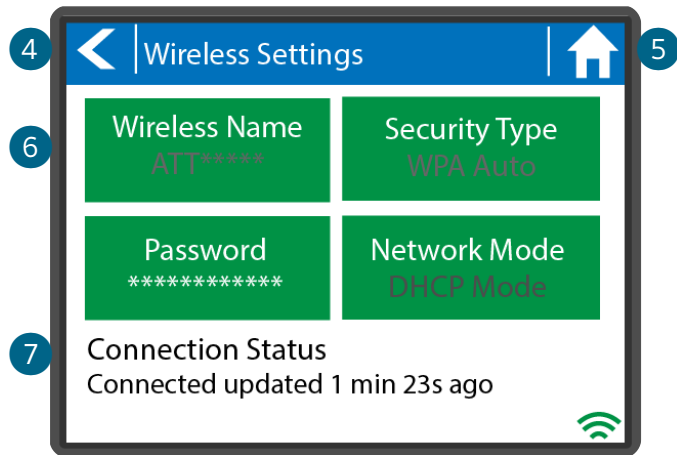
Ensure you have a strong Wi-Fi signal. A signal strength of two or three bars is recommended. Wi-Fi connectivity can also be tested on the HPC Controller (signal strength is shown when you select a wireless network).

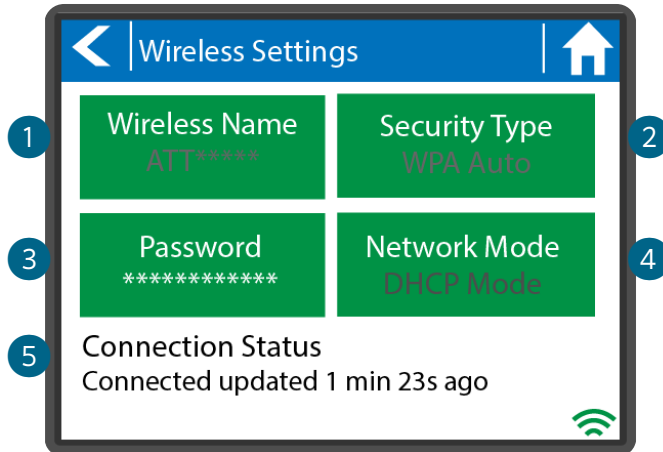
1. Open the controller facepack to access the cabinet, slide the center bar to the Power Off position, detach the ribbon cable, release the hinge on the back of the Pro-C facepack, and remove the facepack.
2. Press the hinges on the side of the HPC-FP facepack, then insert the pins into the controller cabinet.
3. Reconnect the ribbon cable to the new facepack.
4. Reconnect the power to the controller. Slide the center bar to the Power On position.





Home Screen Navigation

- ① Touch to view all zones.
- ② Touch to change controller settings.
- ③ Touch to view controller status information.
- ④ Go to previous screen (changes not saved).
- ⑤ Go to Home screen (changes not saved).
- ⑥ Green items indicate settings which can be changed.
- ⑦ View connection status information.





- ① Touch to change the wireless access point.
- ② Touch to change the wireless security type.
- ③ Touch to change the wireless password.
- ④ Touch to change the network mode.
- ⑤ View wireless connection status.

When connecting to your wireless network, the **Wi-Fi**  icon at the bottom right of the controller screen will flash. Connecting takes about 30 seconds. When successfully connected, the **Wi-Fi**  icon will remain solid.



Using the Connection Wizard

From the Home screen, touch the **Settings** button and then the **Wireless** button.

Select your wireless network from the list shown on the controller display and press the **Confirm** button on the screen. Enter your wireless password and press the **OK** button on the keyboard.



Important:

If your network is not listed, check that the unit is within wireless range. Make sure you press the **OK** button after you've entered your password. Pressing the **Home**  or **Back**  buttons will not save your changes.

Using the App

1. After you download the app, you will receive a **Welcome Email**.
2. Tap **Let's Get Started**.
3. Create a **Password**.
4. Tap **Let's Get Started** again to launch the **Setup Wizard** and complete your controller setup.

Scan the QR code to view all programming instructions.



hunter.help/hydrawiseapp

U.S. FCC Statement

This equipment has been tested and found to comply with the limits for a Class B digital device, pursuant to Part 15 of the FCC Rules. These limits are designed to provide reasonable protection against harmful interference in a residential installation. This equipment generates, uses, and can radiate radio frequency energy and, if not installed and used in accordance with the instructions, may cause harmful interference to radio communications. However, there is no guarantee that interference will not occur in a particular installation. If this equipment does cause harmful interference to radio or television reception, which can be determined by turning the equipment off and on, the user is encouraged to try to correct the interference by one or more of the following measures:

- Reorient or relocate the receiving antenna.
- Increase the separation between the equipment and receiver.
- Connect the equipment into an outlet on a circuit different from where the receiver is connected.
- Consult the dealer or an experienced radio/TV technician for help.

Changes or modifications not expressly approved by Hunter Industries could void the user's authority to operate this device. If necessary, consult a representative of Hunter Industries Inc. or an experienced radio/television technician for additional suggestions.

This equipment complies with FCC radiation exposure limits set forth for an uncontrolled environment. In order to avoid the possibility of exceeding the FCC radio frequency exposure limits, human proximity to the antenna shall not be less than 6.5 cm during normal operation.

Innovation, Science and Economic Development Canada (ISED) Compliance Notice

This device contains licence-exempt transmitter(s)/receiver(s) that comply with Innovation, Science and Economic Development Canada's licence-exempt RSS(s). Operation is subject to the following two conditions:

1. This device may not cause interference.
2. This device must accept any interference, including interference that may cause undesired operation of the device.

Déclaration d'Industrie Canada

Le présent appareil est conforme aux CNR d'Innovation, Sciences et Développement économique Canada applicables aux appareils radio exempts de licence. L'exploitation est autorisée aux deux conditions suivantes :

1. L'appareil ne doit pas produire de brouillage.
2. L'utilisateur de l'appareil doit accepter tout brouillage radioélectrique subi, même si le brouillage est susceptible d'en compromettre le fonctionnement.



Certificate of Conformity to European Directives

Hereby, Hunter Industries declares that the radio equipment type models HPC-401-E, PHC-601-E, PHC-1201-E, PHC-2401-E, are in compliance with Directive 2014/53/EU. The full text of the EU declaration of conformity is available at the following Internet address: [subsitere.hunterindustries.com/compliance/](https://www.hunterindustries.com/compliance/)

- Frequency Band of Operation (MHz): 2,412 to 2,472
- Maximum Transmit Power (dBm): 18.5

Helping our customers succeed is what drives us. While our passion for innovation and engineering is built into everything we do, it is our commitment to exceptional support that we hope will keep you in the Hunter family of customers for years to come.



Gregory R. Hunter, CEO of Hunter Industries



Denise Mullikin, President, Landscape Division

HUNTER INDUSTRIES | *Built on Innovation*[®]
1940 Diamond Street, San Marcos, CA 92078 USA
hunterirrigation.com

© 2026 Hunter Industries Inc. Hunter, the Hunter logo, and other marks are trademarks of Hunter Industries Inc., registered in the U.S. and certain other countries. ♻️ Please recycle.