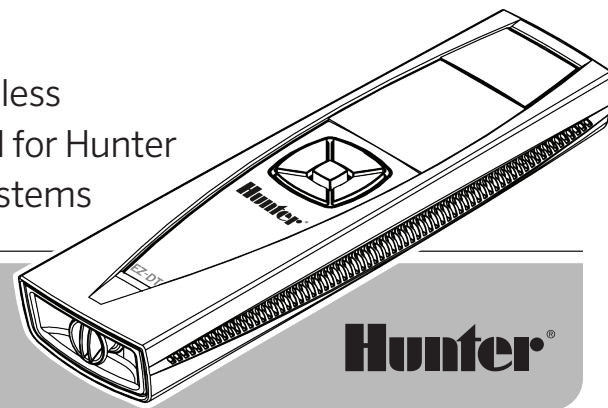


# EZ-DT

Handheld Wireless  
Diagnostic Tool for Hunter  
EZ Decoder Systems



Hunter®

## Quick Start Guide

## INTRODUCTION

EZ-DT is a handheld, battery-operated device used for field diagnostics and troubleshooting with Hunter EZ Decoder Systems. Innovative wireless communication from the EZ-DT to EZ-1 decoders permits fault detection in the field without removing the decoders from the two-wire path.

Use EZ-DT to quickly and easily retrieve a decoder's status, station address, current draw, and voltage on the two-wire path.

**EZ-DT can also be used to program station addresses into EZ-1 decoders via the red and blue wired connection to the decoder.** This capability provides flexible options for programming decoders prior to installation or reprogramming existing decoders in the field.

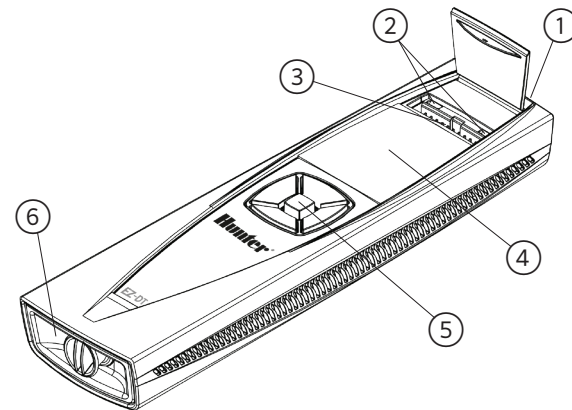
## EZ-DT COMPONENTS

### INSTALLING THE BATTERIES

The EZ-DT operates with 4 x AAA batteries (included).

#### To install batteries:

Remove the battery compartment from bottom of the device. Insert 4 AAA batteries as shown, observing polarity. Reinsert battery compartment and lock it into place (counterclockwise to unlock; clockwise to lock).



- |                             |                       |
|-----------------------------|-----------------------|
| ① Wireless diagnostic cup   | ④ Display             |
| ② Decoder programming ports | ⑤ Selection buttons   |
| ③ Ribbon cable connector    | ⑥ Battery compartment |



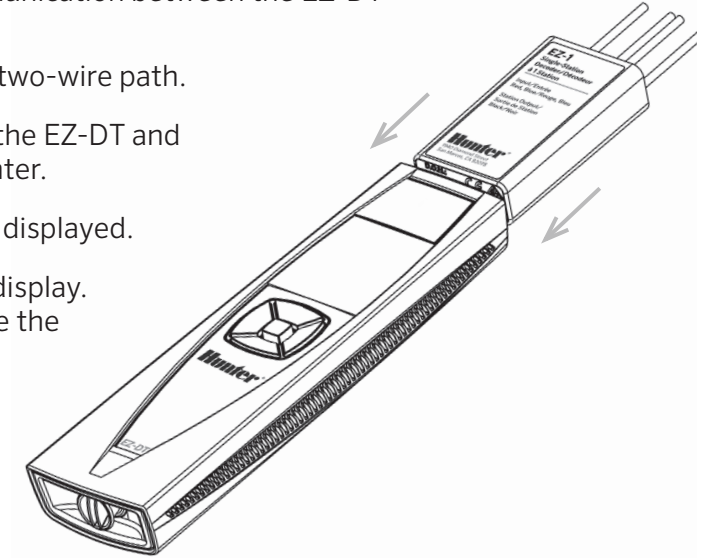
#### CAUTION

Risk of explosion if battery is replaced by an incorrect type. Dispose used batteries at an authorized recycling facility.

## DECODER DIAGNOSTICS AND TROUBLESHOOTING

All diagnostic functions are completed via wireless communication between the EZ-DT and EZ-1 decoders. To read decoder information:

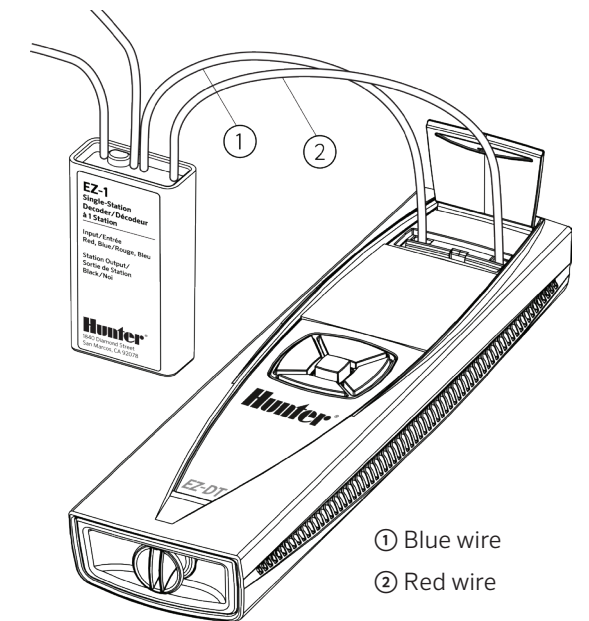
1. Manually activate the desired station to energize the two-wire path.
2. From the Home screen, select Read -> Then position the EZ-DT and EZ-1 decoder as shown in the display -> Then press Enter.
3. Two beeps will sound and decoder information will be displayed.
4. If the decoder reading fails, a red X will appear in the display. If the LED on the decoder is not blinking green, ensure the station is active, check the two-wire path and wire connections, and repeat steps 1 and 2.



## PROGRAMMING AN EZ-1 DECODER

**To program an individual EZ-1 decoder, you must connect the red and blue wires from the decoder to the EZ-DT. You can only program one decoder at a time.**

1. With the EZ-1 disconnected from the two-wire path, insert the red and blue wires from the decoder to the EZ-DT programming ports located under the top cover.
2. From the Home screen, select Program -> Then choose Station or P/MV -> Select the desired station number or P/MV output.
3. Successful programming of a decoder is confirmed with two beeps and a green check mark.



<https://hunter.info/EZDT>



**HUNTER INDUSTRIES** | Built on Innovation®

1940 Diamond Street, San Marcos, CA 92078 USA  
Learn more. Visit [hunterindustries.com](http://hunterindustries.com)

© 2021 Hunter Industries™. Hunter, the Hunter logo, and all other trademarks are property of Hunter Industries, registered in the U.S. and other countries. ♻️ Please recycle.

## FIRMWARE UPDATES

---

If new firmware versions are released for any of these components, the files can be downloaded from the Hunter website and uploaded to the EZ-DT via microSD card within the battery compartment (microSD card not included).

To update the firmware of an ICC2 facepack or an EZ-DM decoder output module, use the ribbon cable connector located under the top cover.

EZ-1 decoders can be updated via red and blue wired connection.

### ICC2 Facepack

1. From the Home screen, select Update -> Select ICC2 -> Remove the ribbon cable from the ICC2 power module and insert it into the EZ-DT (as shown in the display) -> Then press Enter.
2. Successful updating of the facepack is confirmed with two beeps and a green check mark.

### EZ-DM

1. From the Home screen, select Update -> Select EZ-DM -> Remove the ribbon cable from the ICC2 facepack and insert into EZ-DT (as shown in the display) -> Then press Enter.
2. Successful updating of the EZ-DM is confirmed with two beeps and a green check mark.

### EZ-1

1. From the Home screen, select Update -> Select EZ-1 -> Insert red and blue wires from decoder into EZ-DT programming port\* -> Then press Enter. *\*Multiple decoders can be updated at once with the two-wire path.*
2. Successful updating of the decoder is confirmed with two beeps and a green check mark.

## ADDITIONAL SETTINGS

---

The EZ-DT display is available with 12 language options.

1. From the Home screen, select Settings -> Select Language -> Choose the desired language -> Then press Enter

The EZ-DT device can be updated after purchase. If a new EZ-DT firmware version is available, it can be downloaded from the Hunter website, and uploaded to the EZ-DT via microSD card within the battery compartment (microSD card not included).

1. From the Home screen, select Settings -> Then select Update -> Then choose Yes or No.
2. Successful updating of the EZ-DT is confirmed with two beeps and a green check mark.

## OPERATING SPECIFICATIONS

---

- Power input: 4 x AAA batteries
- Display: 1.8" (46 mm) full-color TFT
- Communications: wireless induction, 1" (25 mm) range from EZ-1 decoder to EZ-DT
- Approvals: FCC, CE, ISED Canada, and RCM certified; IP55 rated

## DECLARATION OF CONFORMITY TO EUROPEAN DIRECTIVES

---

Hunter Industries declares that the model EZ-DT complies with the standards of the European Directives of “electromagnetic compatibility” 2014/30/EU. *Full text of the EU Declaration of Conformity is available at the following internet address: <https://hunter.info/compliance>.*

## FCC NOTICE

---

This device complies with part 15 of the FCC Rules. Operation is subject to the following two conditions:

(1) This device may not cause harmful interference, and (2) this device must accept any interference received, including interference that may cause undesired operation.

This equipment has been tested and found to comply with the limits for a Class B digital device pursuant to Part 15 of the FCC Rules. These limits are designed to provide reasonable protection against harmful interference in a residential installation. This equipment generates, uses, and can radiate radio frequency energy and, if not installed and used in accordance with the instructions, may cause harmful interference to radio communications. However, there is no guarantee that interference will not occur in a particular installation. If this equipment does cause harmful interference to radio or television reception, which can be determined by turning the equipment off and on, you are encouraged to try to correct the interference by taking one or more of the following measures:

- Reorient or relocate the receiving antenna.
- Increase the separation between the equipment and receiver.
- Connect the equipment into an outlet on a circuit different from that of which the receiver is connected.
- Consult the dealer or an experienced radio/TV technician for help.

Changes or modifications not expressly approved by Hunter Industries could void the user’s authority to operate this device. If necessary, consult a representative of Hunter Industries Inc. or an experienced radio/television technician for additional suggestions.

## ISED CANADA NOTICE

---

This device contains licence-exempt transmitter(s)/receiver(s) that comply with Innovation, Science and Economic Development Canada’s licence-exempt RSS(s). Operation is subject to the following two conditions:

1. This device may not cause interference.
2. This device must accept any interference, including interference that may cause undesired operation of the device.

Le présent appareil est conforme aux CNR d’Industrie Canada applicables aux appareils radio exempts de licence. L’exploitation est autorisée aux deux conditions suivantes:

1. L’appareil ne doit pas produire de brouillage, et
2. L’utilisateur de l’appareil doit accepter tout brouillage radioélectrique subi, même si le brouillage est susceptible d’en compromettre le fonctionnement.

